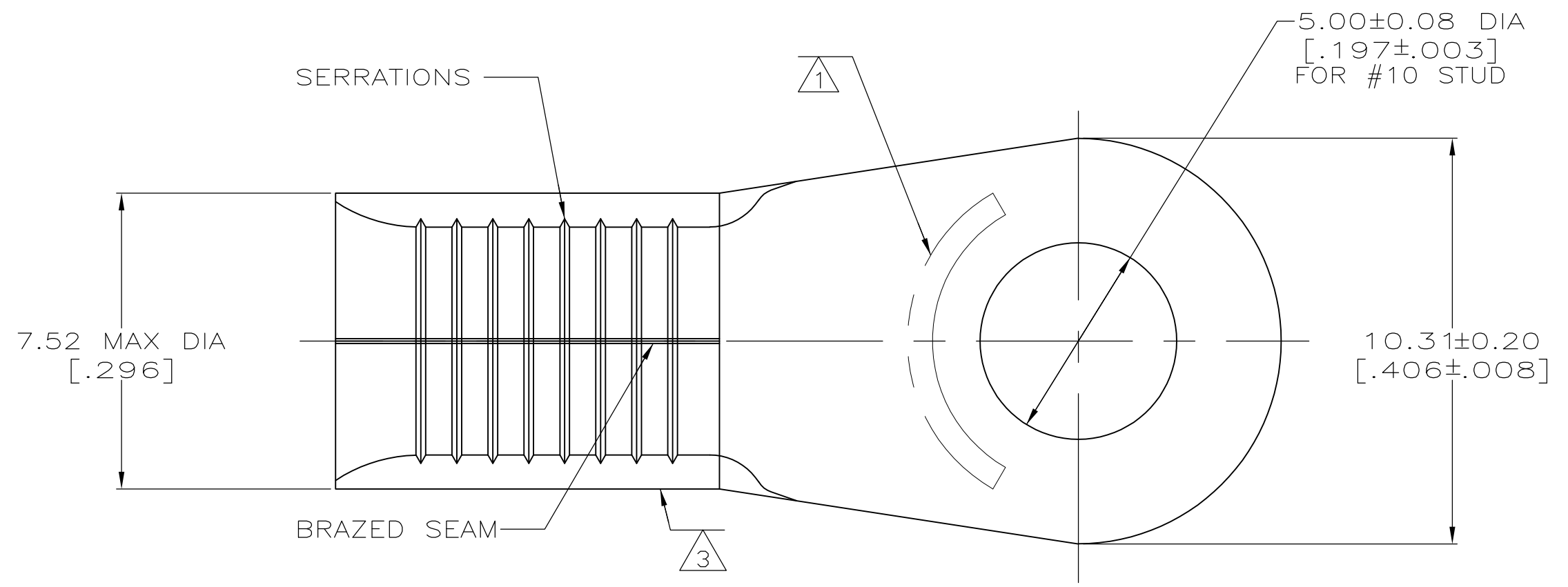


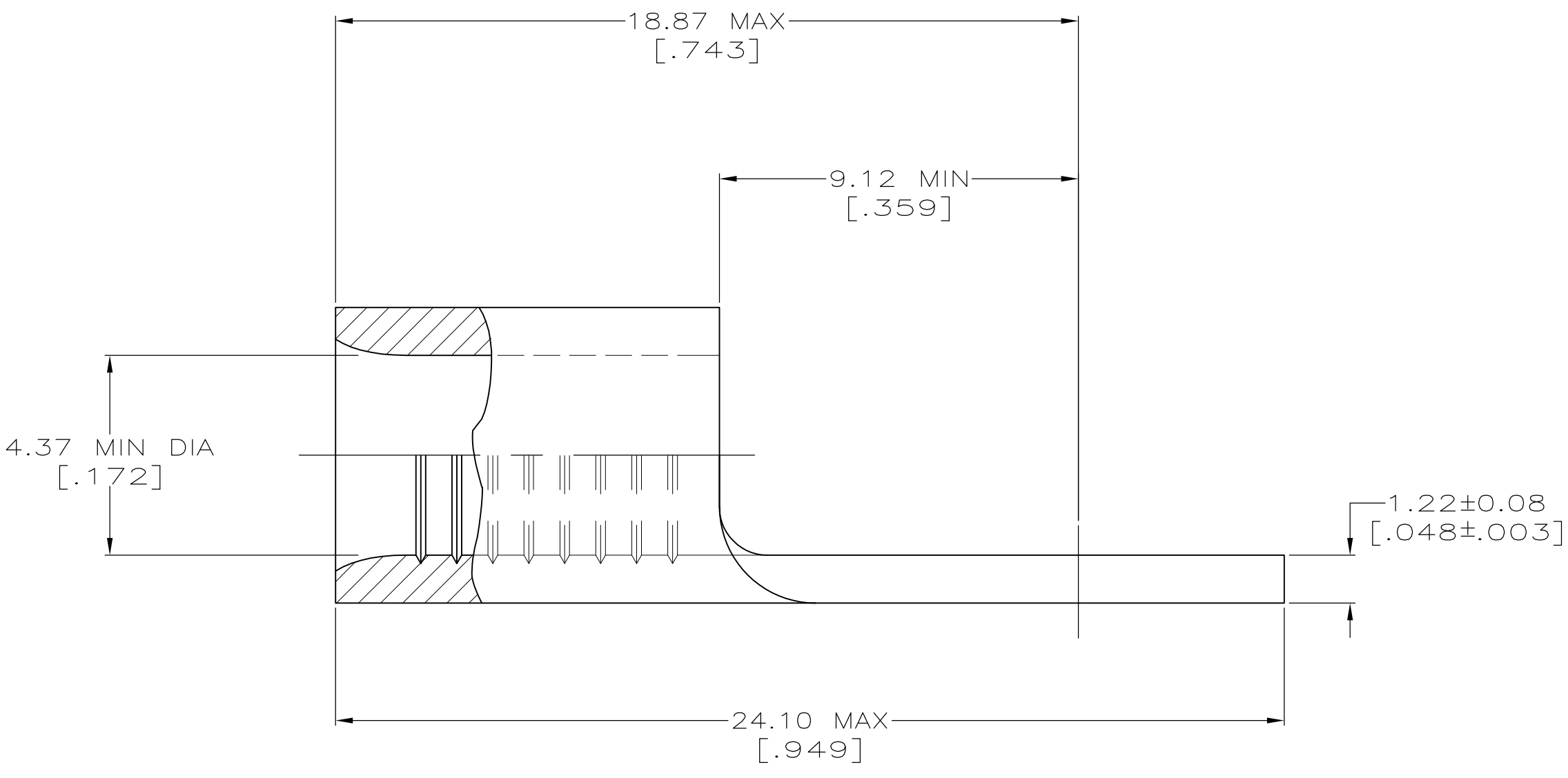
THIS DRAWING IS UNPUBLISHED. RELEASED FOR PUBLICATION
 © COPYRIGHT - By - ALL RIGHTS RESERVED.

| LOC | DIST | REVISIONS | | | |
|-----|------|-------------|---------------------------|---------|-------|
| P | LTR | DESCRIPTION | DATE | OWN | APVD |
| G | 14 | C3 | REVISED PER ECO-12-005490 | 21MAR12 | KH DR |



AMP
 WIRE RANGE

8 AWG
 SOLID OR STRANDED



- 1 STAMP AMP 8 APPROX AS SHOWN
- 2 NICKEL PER ASTM B-162, ANNEALED
- 3 WIRE BARREL COLOR CODED ORANGE TO DENOTE NICKEL MATERIAL

328822
 PART NO.

| | | | | | |
|--|--|---|--|---|--|
| MAX RECOMMENDED OPERATING TEMPERATURE: 649°C MAX VOLTAGE RATING: N/A CIRCULAR MIL AREA: 6.64-10.5mm ² [13,100-20,800] SOLID OR STRANDED | THIS DRAWING IS A CONTROLLED DOCUMENT. | | DWN TA BRINKMAN 3-24-93 CHK DA PATTERSON 3-24-93 APVD JL MECKLEY 3-24-93 | STE TE Connectivity NAME TERMINAL, RING TONGUE, HIGH TEMPERATURE, STRATO-THERM | SIZE CAGE CODE DRAWING NO RESTRICTED TO A2 00779 G-328822 - |
| | DIMENSIONS: mm[INCHES] | TOLERANCES UNLESS OTHERWISE SPECIFIED: 0 PLC ± - 1 PLC ± - 2 PLC ± - 3 PLC ± - 4 PLC ± - ANGLES ± ± - FINISH - | PRODUCT SPEC - APPLICATION SPEC - WEIGHT - | | |
| | | MATERIAL 2 | CUSTOMER DRAWING | SCALE 8:1 | SHEET 1 OF 1 REV C3 |

单击下面可查看定价，库存，交付和生命周期等信息

[>>TE Connectivity\(泰科\)](#)