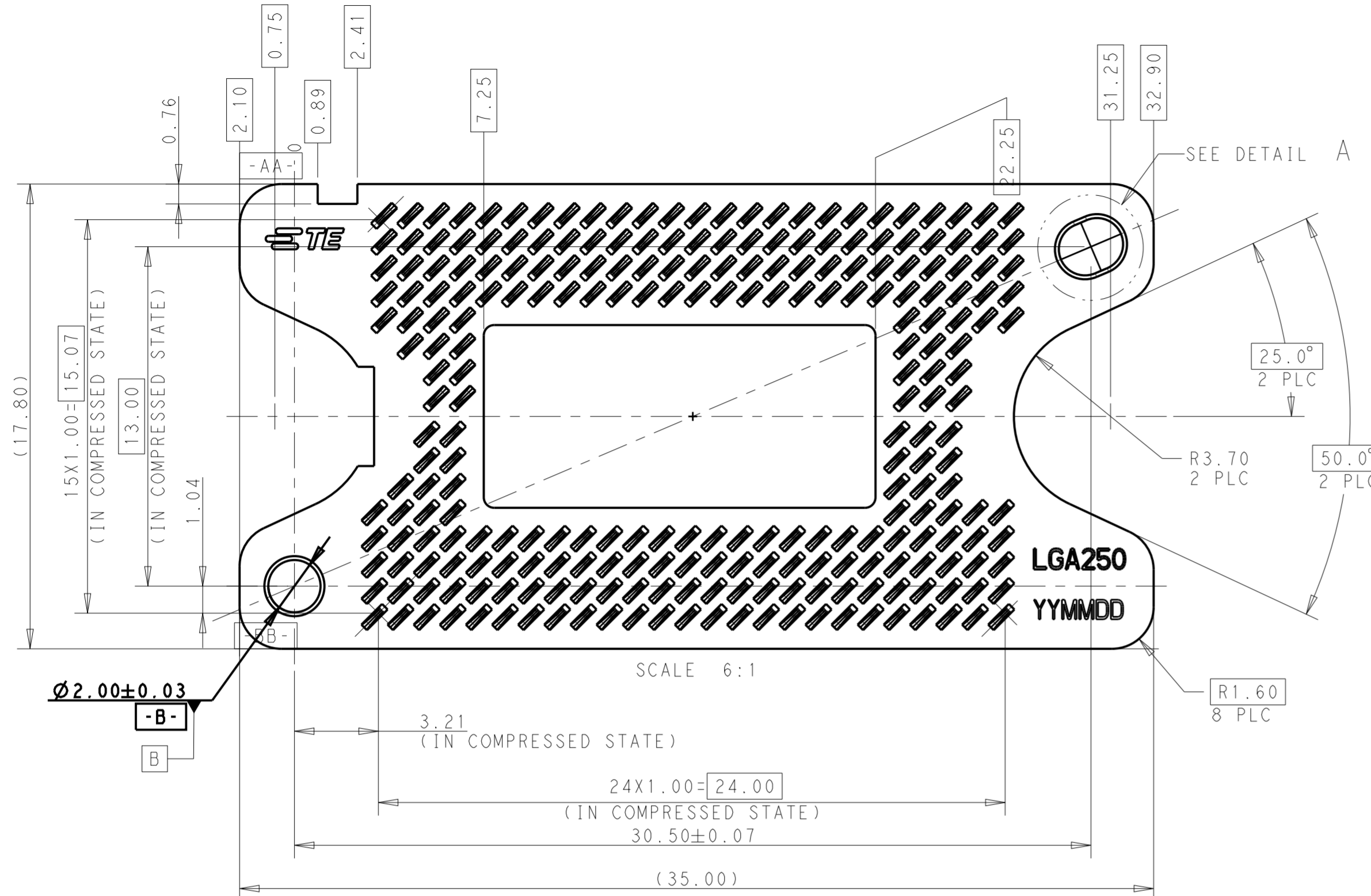


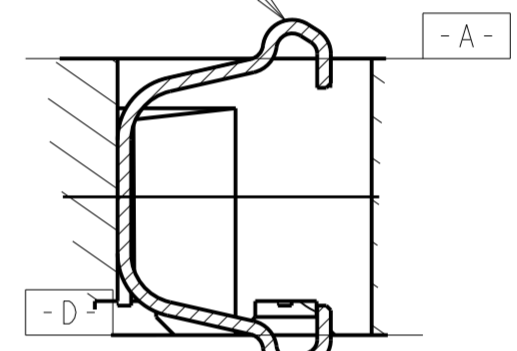
THIS DRAWING IS UNPUBLISHED. RELEASED FOR PUBLICATION 20
 © COPYRIGHT 20 BY - ALL RIGHTS RESERVED.

REVISIONS				
P	LTR	DESCRIPTION	DATE	APVD
6		IMPROVE THE HOUSING PIN HOLES	30MAY2019	T.Z B.L



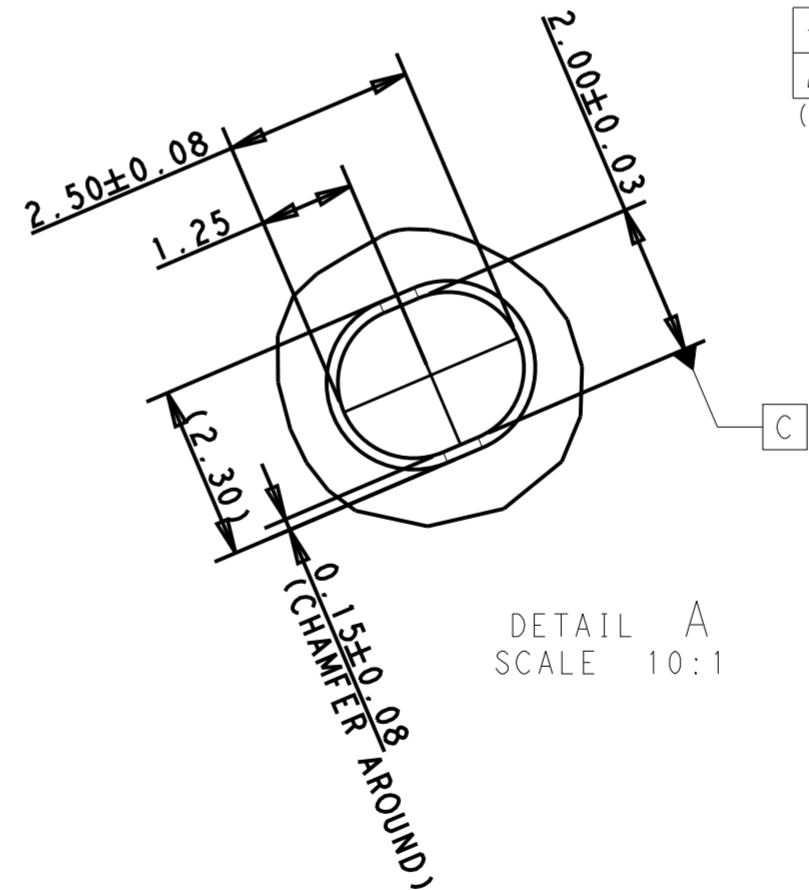
- 1. MATERIAL
 - 1 HOUSING : HIGH TEMP, THERMO-PLASTIC, UL94V-0, BLACK
 - 2 CONTACT : COPPER ALLOY
- 2. FINISH
 - CONTACT : 3u" Au PL. ON CONTACT AREA
 - Ni UNDER PL. 50u" MIN. OVER ALL.
- 3. THICKNESS: 1.219mm AFTER COMPRESSION.
- 4. DIMENSION SHALL BE INTERPRETED PER ASME Y14.5M-1994.
- 5. RECOMMENED CONNECTOR LOADING FORCE: 10Kgf Min.

⊕	∅0.15	A	B	C
⌒	0.15	(250X)		
(DMD CONTACT SIDE)				

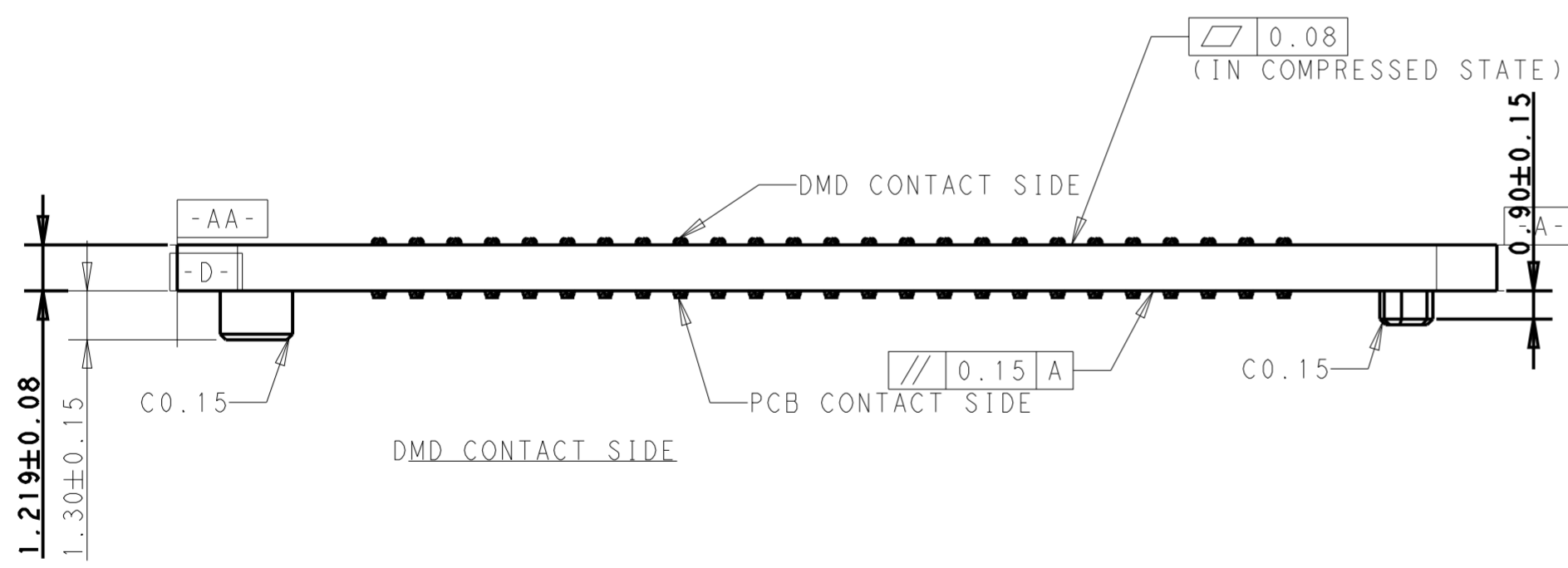


⊕	∅0.15	D	E	F
⌒	0.15	(250X)		
(PCB CONTACT SIDE)				

CONTACT CROSS SECTION DETAIL



DETAIL A
SCALE 10:1



THIS PRINT IS
PRELIMINARY
 UNQUALIFIED PRODUCT
 CONTACT PRODUCT ENGINEERING
 BEFORE USING THIS PRINT

THIS DRAWING IS A CONTROLLED DOCUMENT.		DWN	T.Z	10 JAN 2019
		CHK	S.L	10 JAN 2019
		APVD	S.L	10 JAN 2019
DIMENSIONS: mm		PRODUCT SPEC		
TOLERANCES UNLESS OTHERWISE SPECIFIED:		APPLICATION SPEC		
0 PLC ±		WEIGHT		
1 PLC ±		CUSTOMER DRAWING		
2 PLC ±0.10		SCALE 2:1		
3 PLC ±0.05		SHEET 1 OF 2		
4 PLC ±		REV A1		
ANGLES ±1				
FINISH				

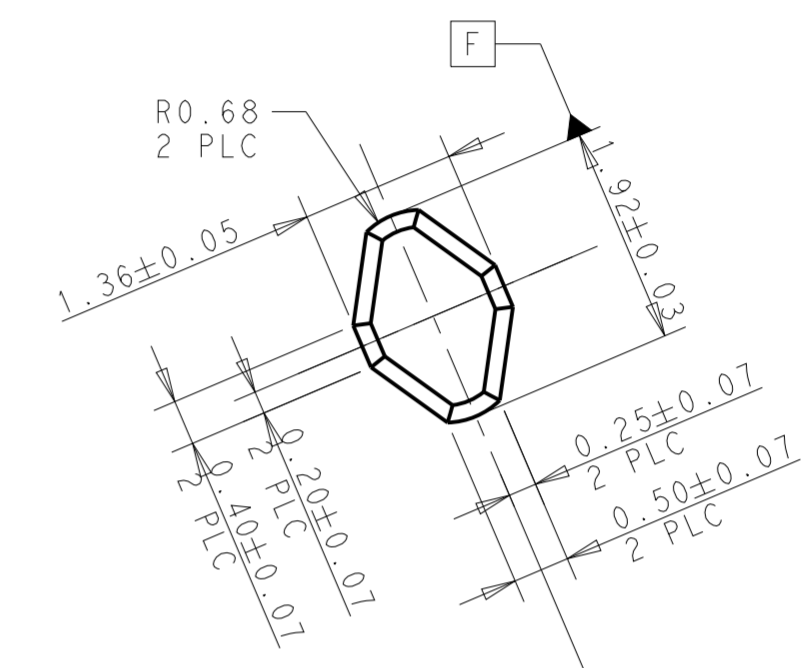
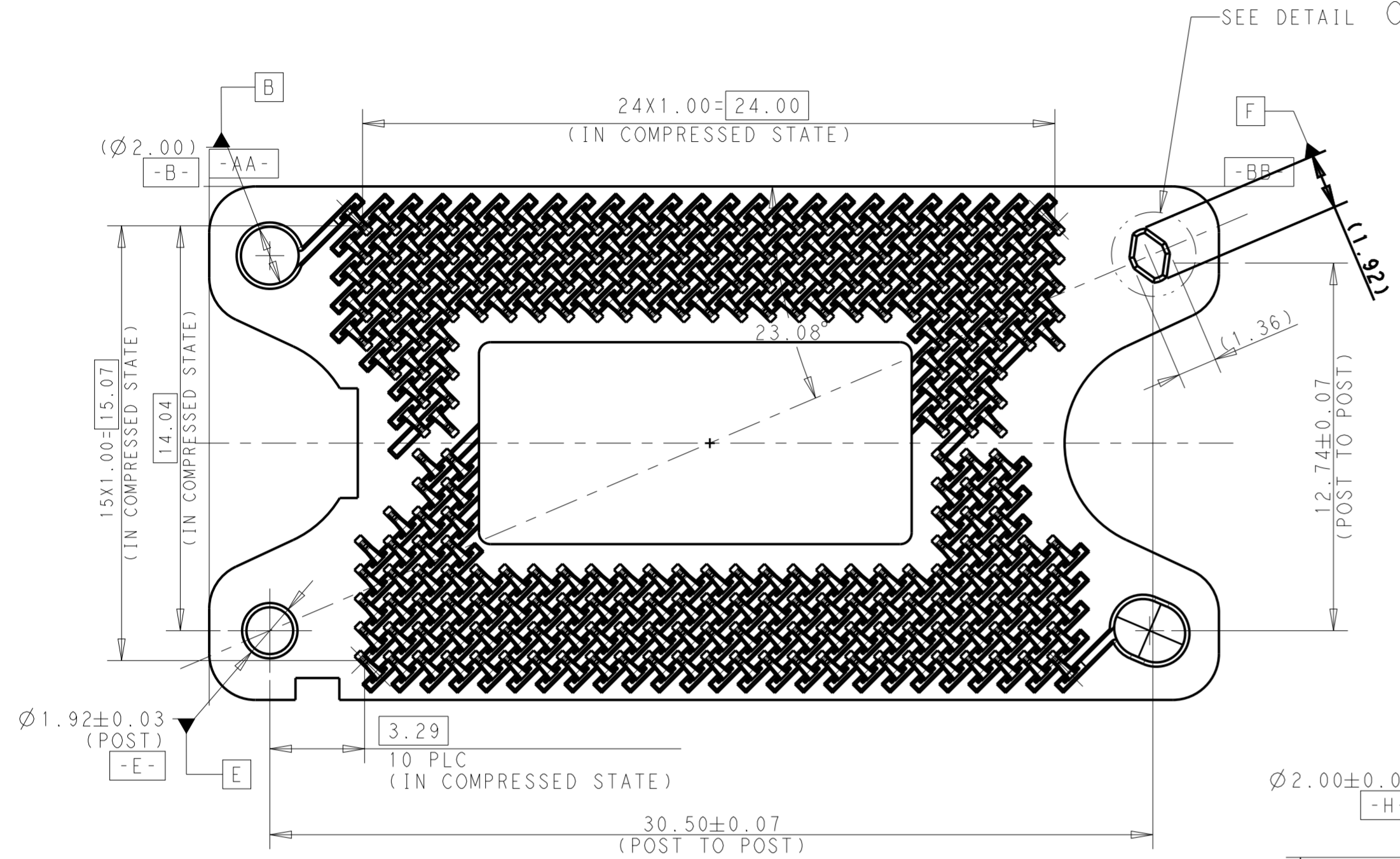
2350616-1	1
PART NO.	ITEM

TE Connectivity

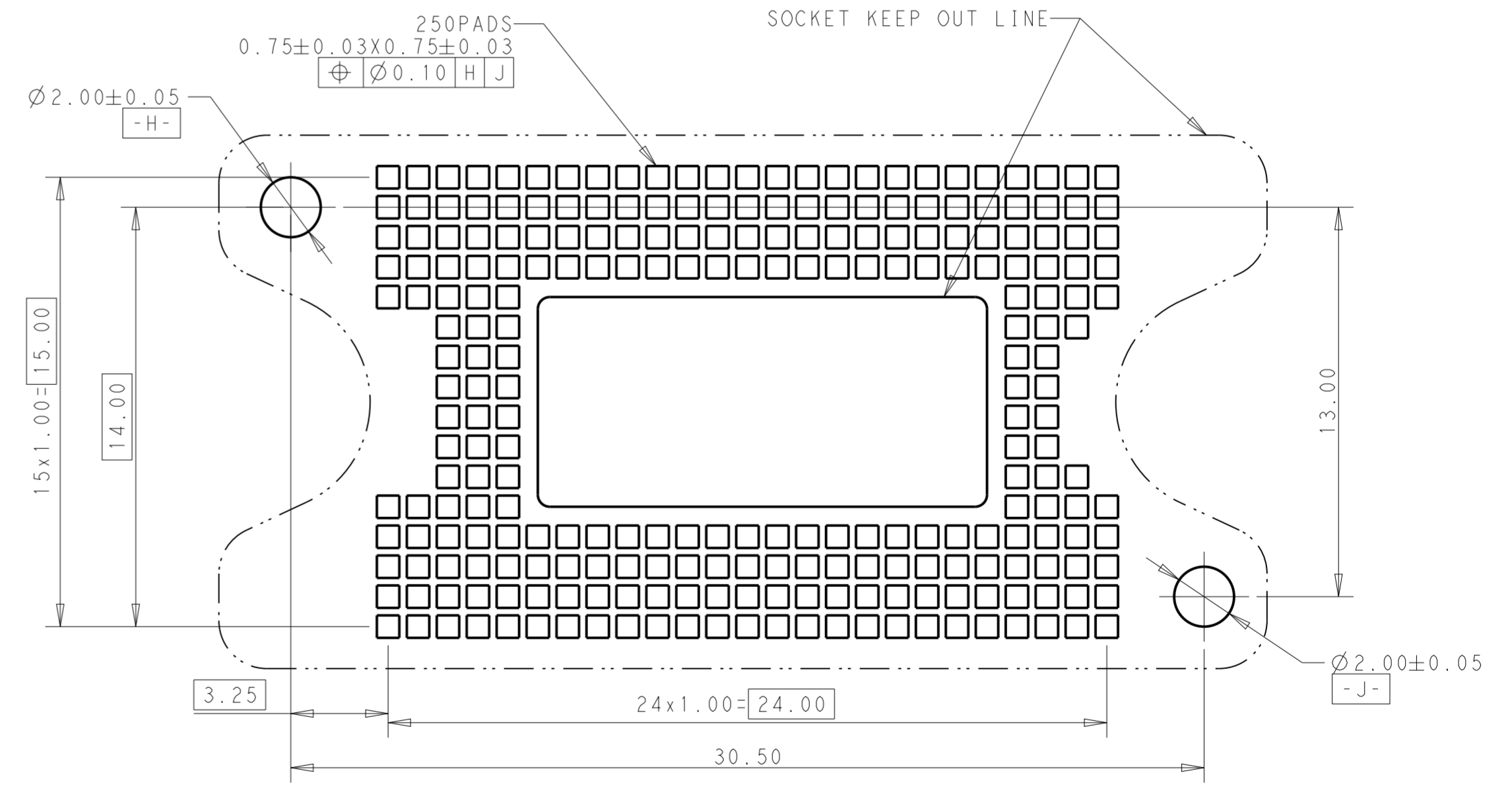
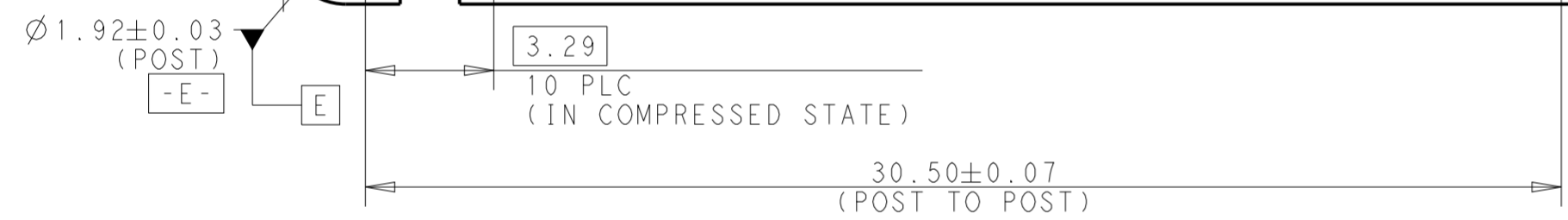
NAME		CUSTOMER DRAWING	
PRODUCT SPEC		DMD SOCKET	
APPLICATION SPEC		LGA250	
SIZE	CAGE CODE	DRAWING NO.	RESTRICTED TO
A2	00779	C-2350616	

THIS DRAWING IS UNPUBLISHED. RELEASED FOR PUBLICATION 20
 © COPYRIGHT 20 BY - ALL RIGHTS RESERVED.

REVISIONS				
P	LTR	DESCRIPTION	DATE	APVD
-	-	SEE SHEET 1	-	-



DETAIL C
SCALE 15:1



THIS PRINT IS
PRELIMINARY
 UNQUALIFIED PRODUCT
 CONTACT PRODUCT ENGINEERING
 BEFORE USING THIS PRINT

THIS DRAWING IS A CONTROLLED DOCUMENT.		DWN T.Z	10 JAN 2019	 TE Connectivity	NAME CUSTOMER DRAWING	
DIMENSIONS: mm		CHK S.L	10 JAN 2019		PRODUCT SPEC -	
TOLERANCES UNLESS OTHERWISE SPECIFIED:		APVD S.L	10 JAN 2019		APPLICATION SPEC -	
0 PLC ± 1 PLC ± 2 PLC ±0.10 3 PLC ±0.05 4 PLC ± ANGLES ±1 FINISH -		MATERIAL -			SIZE A200779	
MATERIAL -		WEIGHT -		DRAWING NO C-2350616		
CUSTOMER DRAWING				SCALE 2:1	SHEET 2 OF 2	REV A1

单击下面可查看定价，库存，交付和生命周期等信息

[>>TE Connectivity\(泰科\)](#)