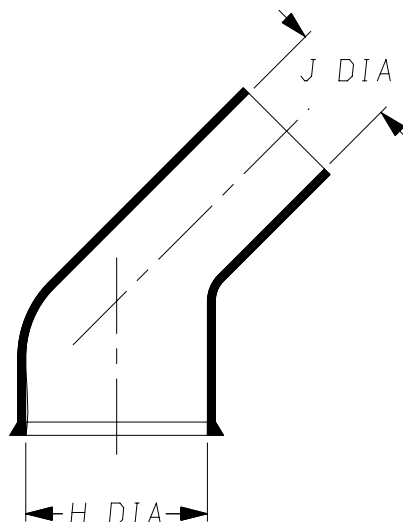
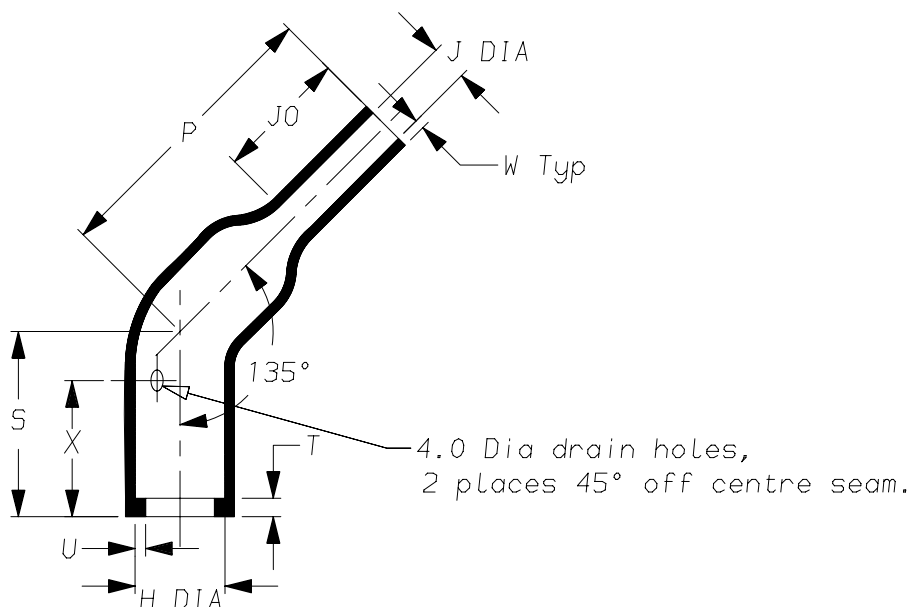


a) Part as supplied

242W0**-*-G44



b) Part after unrestricted recovery.



DIMENSIONS in millimetres
(in inches, for reference)

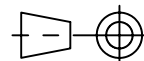
| Part Number | H | | J | | P | S | T | U | JO | W | X |
|---------------|--------------|----------------|--------------|---------------|--------------|--------------|---------------|---------------|--------------|---------------|--------------|
| | Min a | Max b | Min a | Max b | ±10% b | ±10% b | ±10% b | ±10% b | ±10% b | ±20% b | ±20% b |
| 242W042-*-G44 | 31 (1.22) | 17.9 (0.70) | 18 (0.71) | 7.0 (0.28) | 55 (2.17) | 35 (1.38) | 3.5 (0.14) | 2.0 (0.08) | 25 (0.98) | 1.8 (0.07) | 22 (0.87) |
| 242W053-*-G44 | 36 (1.42) | 22.1 (0.87) | 21 (0.83) | 8.4 (0.33) | 60 (2.36) | 40 (1.57) | 3.5 (0.14) | 2.0 (0.08) | 30 (1.18) | 2.0 (0.08) | 22 (0.87) |
| 242W063-*-G44 | 43 (1.69) | 27.9 (1.10) | 25 (0.98) | 9.9 (0.39) | 65 (2.56) | 45 (1.77) | 3.5 (0.14) | 2.0 (0.08) | 35 (1.38) | 2.2 (0.09) | 22 (0.87) |

This is a drilled variant #
Modified dimensions are shown thus:- #

Copyright (!)

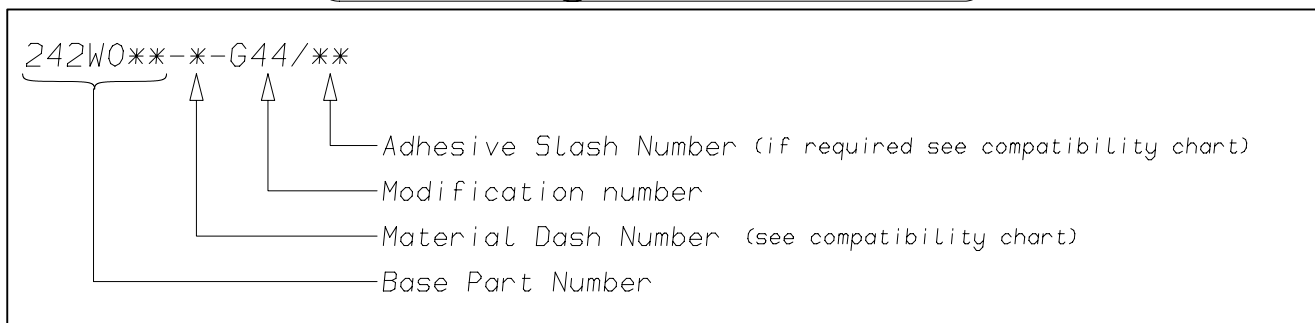
The copyright in this drawing is the property of Tyco Electronics UK Ltd. The drawing is issued on the condition that it is not copied, reproduced or disclosed to a third party, either in whole or in part without the prior written consent of Tyco Electronics UK Ltd.

Drawn A.LILLEY. Checked Issue 2 Date November 2006 Conforms to ISO Recommendations
Approval Design MKTG. Q.A. 3rd Angle Projection Not to Scale



| | | | | |
|----------------|---------------|--|------------------------------|---------|
| Raychem | | Specification Control Drawing | Part Number 242W0**-*-G44 | Issue 2 |
| Iss. | Date | E.C.R. No. | Details of Change | |
| 2 | November 2006 | CR06-HM-012 | Imperial dimensions added | |

(Ordering Information)



(COMPATIBILITY CHART)

| Material Dash Number | Material Description | SPEC Number | Coating Slash Number |
|----------------------|---------------------------------|------------------|----------------------|
| -3 | POLYOLEFIN, SEMI-RIGID | RT-301, RK-6703 | /42, /86, /180 |
| -4 | POLYOLEFIN, FLEXIBLE | RT-1304 RT-1050 | /42, /86, /180 |
| -6 | SILICON | RT-602, RK-6706 | N/A |
| -12 | FLUOROELASTOMER, FLEXIBLE | RT-1312, RW-2071 | /225 |
| -25 | ELASTOMER, FLUID RESISTANT | RT-1325, RK-6713 | /42, /86, /225 |
| -100 | ZERO HALOGEN | RT-1323, RK-6717 | /86, /180 |
| -130 | POLYOLEFIN, COMMERCIAL FLEXIBLE | RW-2008 | /42 |

NOTES

- ① As supplied dimensions are for uncoated parts, when coating is added entry diameters will reduce by 1.5mm Max.

| | |
|--|---|
| Tyco electronics UK Ltd. Faraday Road, Swindon, Wiltshire, SN3 5HH England Telephone: (01793) 528171 Fax: 572516 | Tyco electronics Corporation 300, Constitution Drive, Menlo Park, CA 94025 USA Telephone (650) 361-3860 Fax: (650) 361-5579 |
| Cage Code K1010 | Cage Code 06090 |

单击下面可查看定价，库存，交付和生命周期等信息

[>>TE Connectivity\(泰科\)](#)