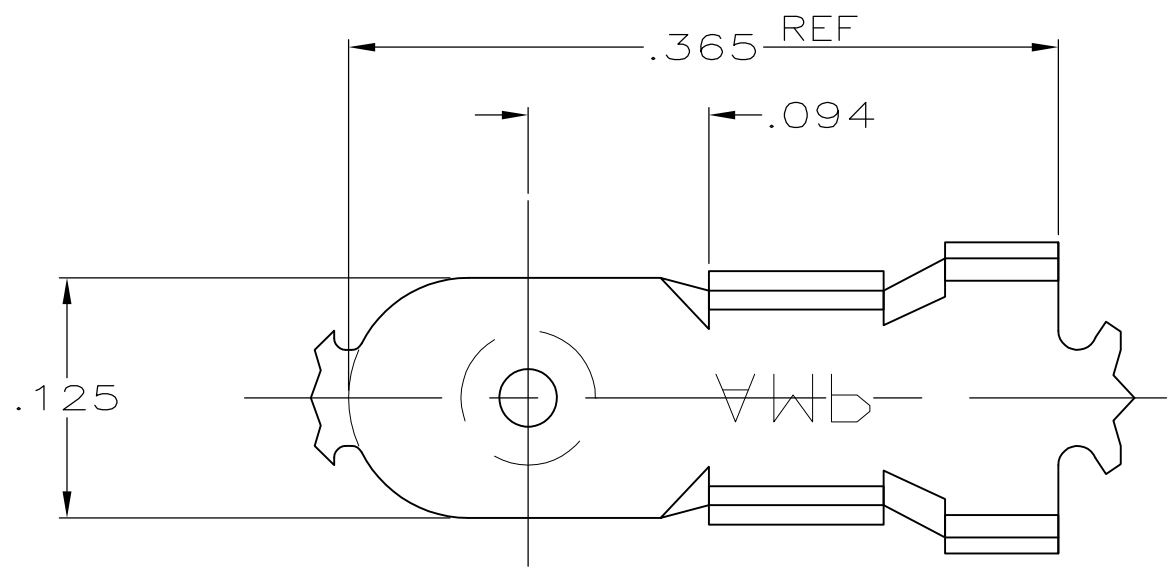
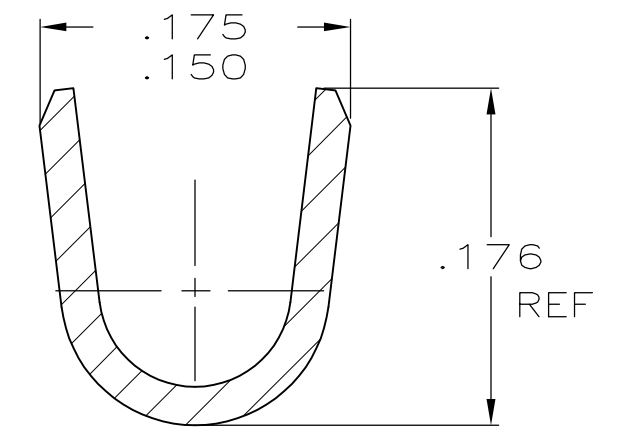
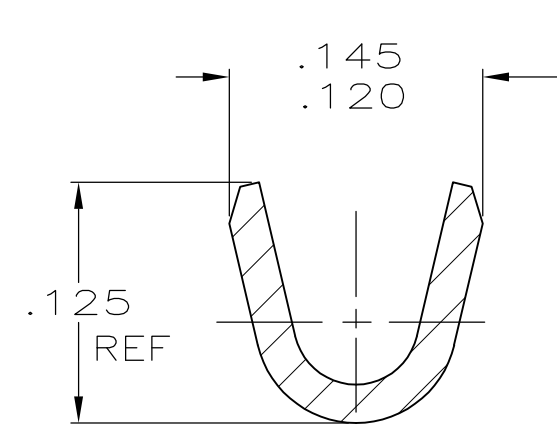
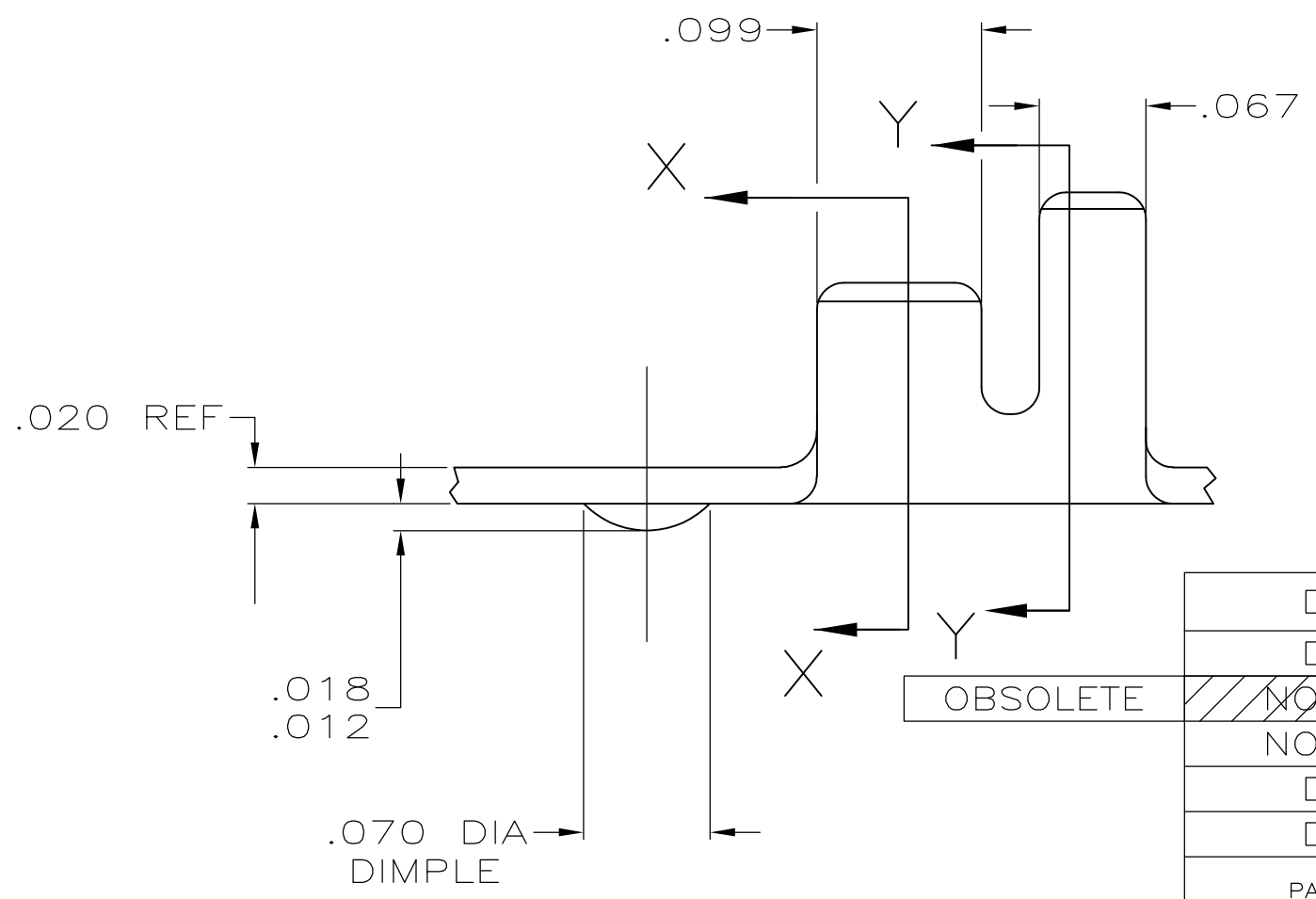


THIS DRAWING IS UNPUBLISHED. RELEASED FOR PUBLICATION
 © COPYRIGHT - By - ALL RIGHTS RESERVED.

LOC	DIST	REVISIONS			
P	LTR	DESCRIPTION	DATE	DWN	APVD
AF	50	AF5	REVISED PER ECO 11-018422	09SEP11	JR PD



- 1 CONTINUOUS STRIP ON REELS.
- 2 WIRE SIZE IS #20-#16 AWG.
- 3 INSULATION RANGE IS .090-.130 DIA.
- 4 .000080 MIN TIN PLATE.
- 5 COPPER FLASH BASE WITH .000005 MIN GOLD PLATE OVER .000030 MIN NICKEL UNDERPLATE.
- 6 .000100 MIN NICKEL PLATE
- 7 PRELIMINARY - NOT FOR PRODUCTION



DIMPLE	FINISH	MATERIAL	PART NUMBER
-	-	T4 PHOS BRONZE	40990-5
-	6	TEMPER 3 STEEL	40990-4
NO DIMPLE	-	TEMPER 3 STEEL	40990-3
NO DIMPLE	5	TEMPER 3 STEEL	40990-2
DIMPLE	-	TEMPER 3 STEEL	40990-1
DIMPLE	-	ANNEALED UNS S43000 STAINLESS STEEL	40990

THIS DRAWING IS A CONTROLLED DOCUMENT.		DWN 26JUL2001 MICHAEL S. FEHER	STE TE Connectivity	
DIMENSIONS: INCHES		CHK 26JUL2001 GARY PORTA		
TOLERANCES UNLESS OTHERWISE SPECIFIED:		APVD 26JUL2001 GARY PORTA	NAME	
0 PLC ± -		PRODUCT SPEC		
1 PLC ± -		APPLICATION SPEC		
2 PLC ± -		SIZE		
3 PLC ± .015		CAGE CODE		
4 PLC ± -		DRAWING NO		
ANGLES ± -		RESTRICTED TO		
MATERIAL SEE TABLE		WEIGHT -		
FINISH SEE TABLE		A3 00779 C-40990		
		CUSTOMER DRAWING		SCALE 10:1
		SHEET 1 OF 1		REV AF5

单击下面可查看定价，库存，交付和生命周期等信息

[>>TE Connectivity\(泰科\)](#)