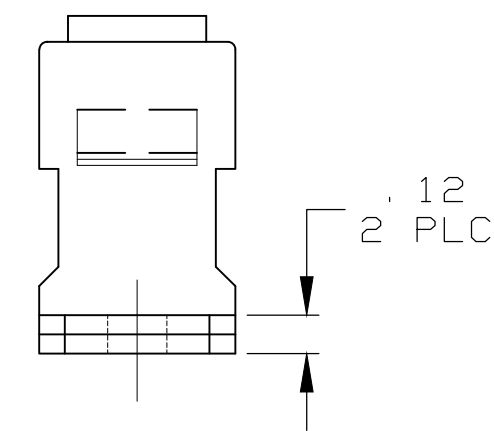
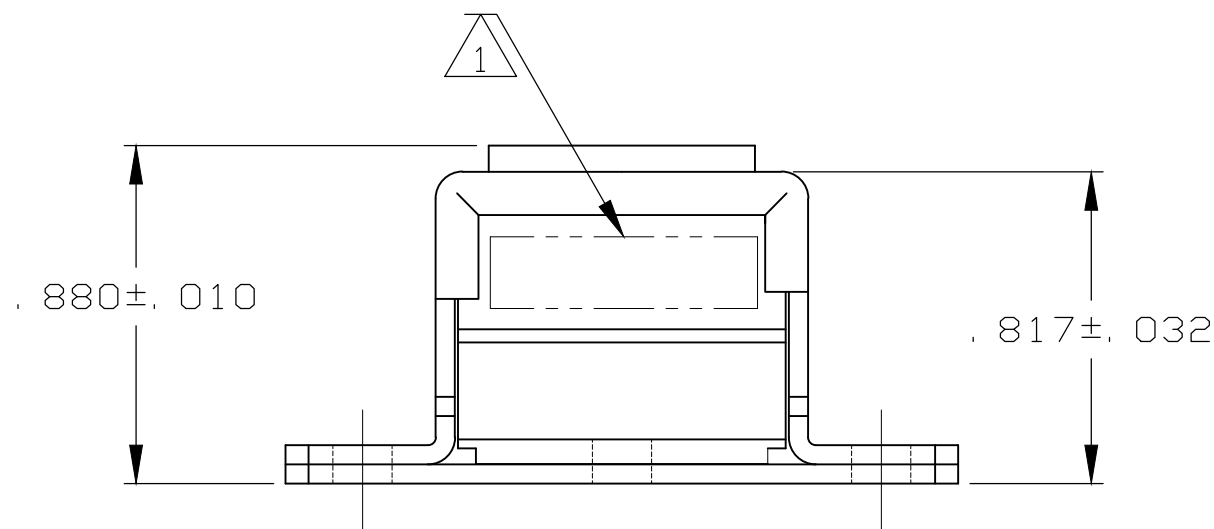
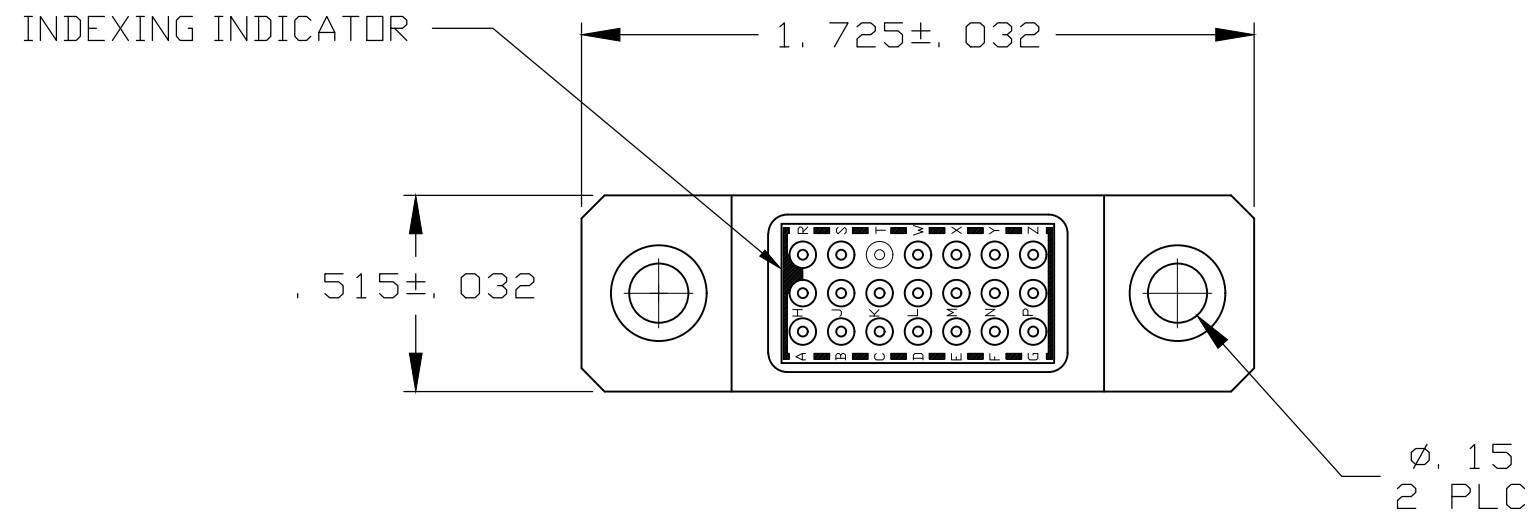


THIS DRAWING IS UNPUBLISHED.		RELEASED FOR PUBLICATION	
COPYRIGHT - By -		ALL RIGHTS RESERVED.	
DESCRIPTION	MATERIAL	FINISH	
GROMMET	FLUID RESISTANT SILICONE	COLOR: GREEN	
MODULE ASSEMBLY	D.A.P. PER MIL-M-14 TYPE SDG-F	COLOR: GREEN	
CONTACT, SOCKET ASSEMBLY	BERYLLIUM COPPER PER ASTM-B194	GOLD PLATE PER MIL-G-45204	
CLIP CONTACT RETAINING	BERYLLIUM COPPER PER ASTM-B194 OR SST PER QQ-S-766	NONE	
BRACKET / GROUNDING PLATE	AL-ALLOY 6061-T4	ELECTROLESS NICKEL PER QQ-N-290	
CONTACTS	COPPER ALLOY PER MIL-C-32029/1	GOLD PLATE PER MIL-G-45204	
SEALING PLUGS	F.E.P. PER MIL-P-19468	COLOR: BLACK	

REVISIONS				
P	LTR	DESCRIPTION	DATE	APVD
E		REV PER ECD 20-001680	2-7-20	CT VR



- 1 MODULE ASSEMBLY MARKED WITH "TE", TE PART NO. AND DATE CODE .060 MINIMUM HIGH CHARACTERS AT APPROXIMATE AREA SHOWN.
- 2 CONTACTS AND SEALING PLUGS SUPPLIED WITH MODULE ASSY.

-	SIZE 21	592840-2
2	SIZE 21	592840-1
REMARKS	DESCRIPTION	PART NO.

THIS DRAWING IS A CONTROLLED DOCUMENT.		DWN C. C. THOMAS 8-24-04														
DIMENSIONS: INCHES		CHK D. EABY 8-24-04														
TOLERANCES UNLESS OTHERWISE SPECIFIED:		APVD D. EABY 8-24-04	NAME MODULE ASSEMBLY W/GROUNDING BRACKET, SIZE 21, TJ													
<table border="1"> <tr><td>0 PLC</td><td>± -</td></tr> <tr><td>1 PLC</td><td>± -</td></tr> <tr><td>2 PLC</td><td>± .02</td></tr> <tr><td>3 PLC</td><td>± .005</td></tr> <tr><td>4 PLC</td><td>± -</td></tr> <tr><td>ANGLES</td><td>± -</td></tr> </table>		0 PLC	± -	1 PLC	± -	2 PLC	± .02	3 PLC	± .005	4 PLC	± -	ANGLES	± -	PRODUCT SPEC -	SIZE A2	
0 PLC	± -															
1 PLC	± -															
2 PLC	± .02															
3 PLC	± .005															
4 PLC	± -															
ANGLES	± -															
MATERIAL SEE TABLE		APPLICATION SPEC -	CAGE CODE 00779	DRAWING NO. C-592840												
FINISH SEE TABLE		WEIGHT 0.000000	RESTRICTED TO -													
CUSTOMER DRAWING			SCALE 2:1	SHEET 1 OF 1												

单击下面可查看定价，库存，交付和生命周期等信息

[>>TE Connectivity\(泰科\)](#)