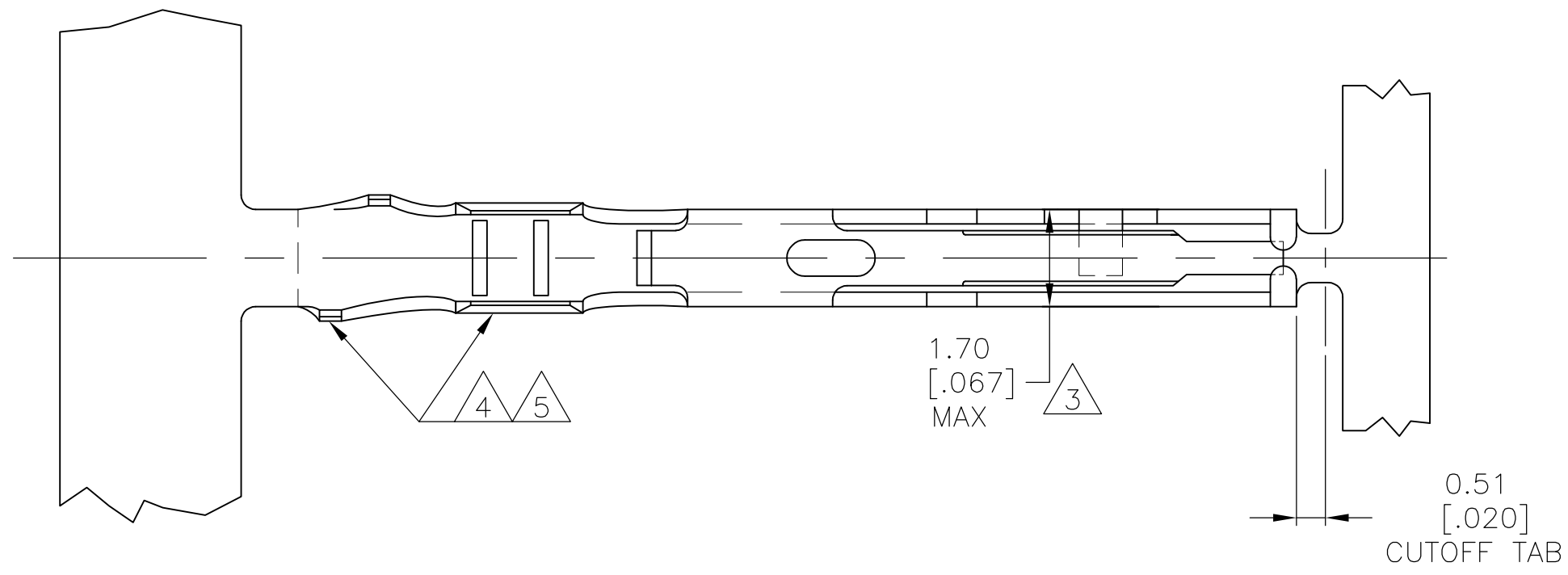
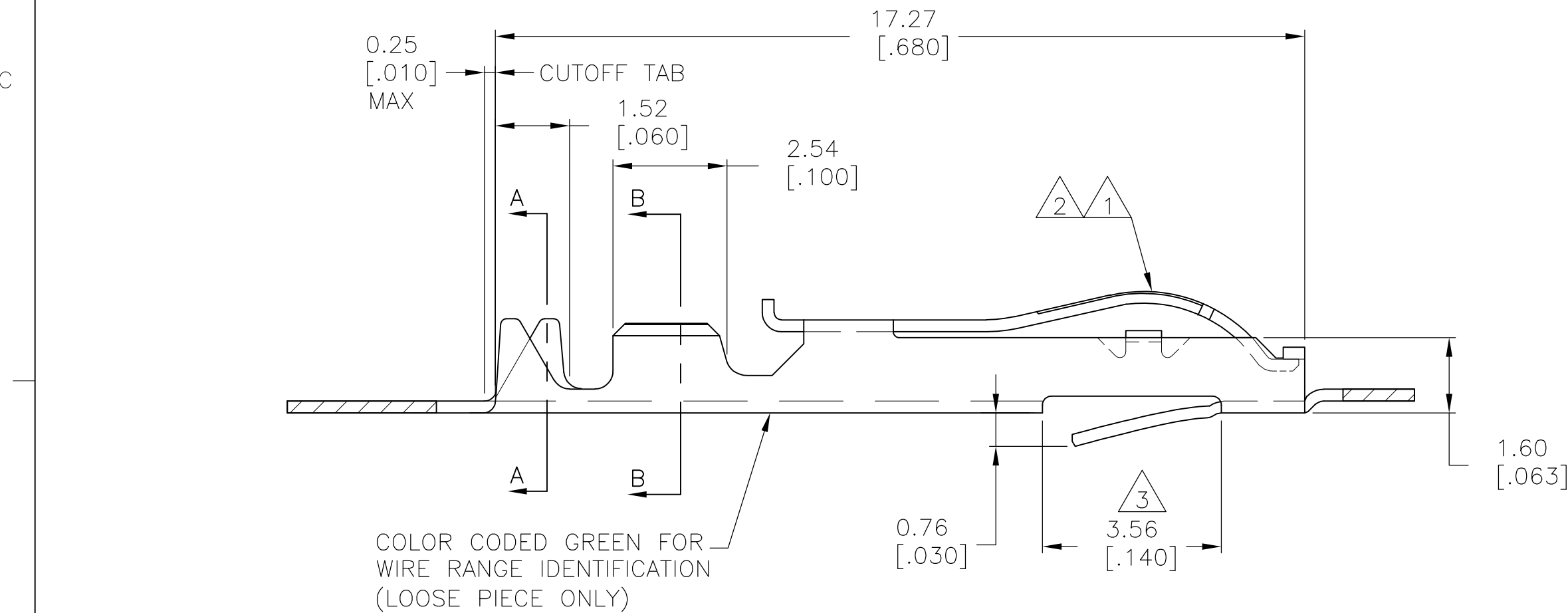


THIS DRAWING IS UNPUBLISHED. RELEASED FOR PUBLICATION  
 © COPYRIGHT - By - ALL RIGHTS RESERVED.

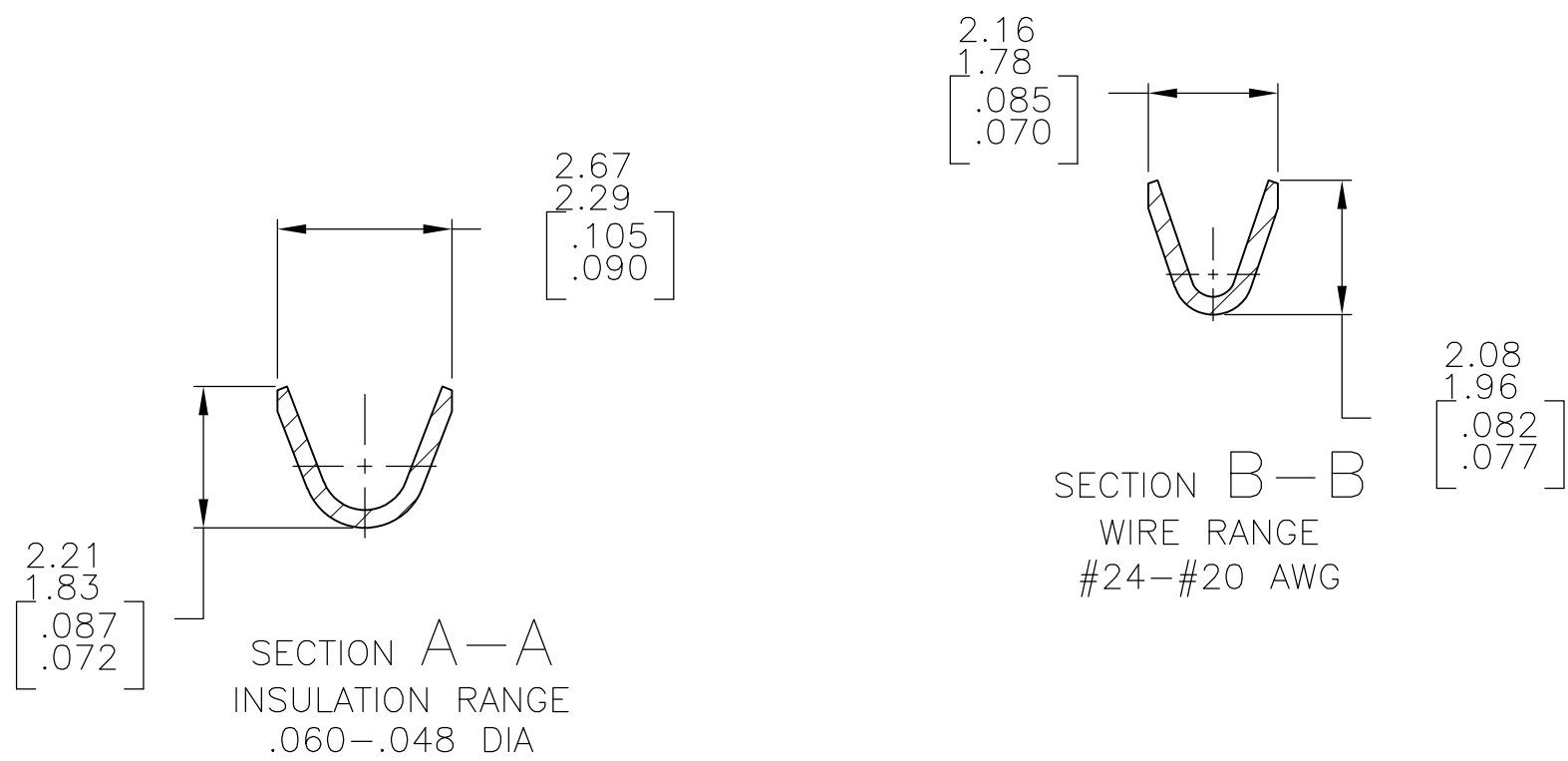
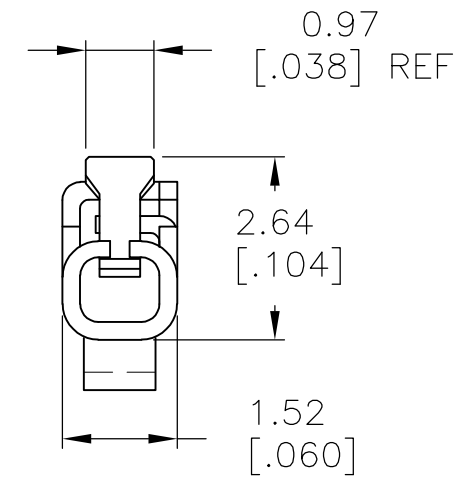
LOC		DIST		REVISIONS			
P	LTR	DESCRIPTION		DATE	DWN	APVD	
	K	REVISED PER ECO-13-005696		01AUG13	KH	MM	



- 1 .000030 GOLD OVER .000030 NICKEL IN CONTACT AREA.
- 2 .000015 GOLD OVER .000030 NICKEL IN CONTACT AREA.
- 3 .067 MAX ALLOWED IN LOCKING POSITION AREA FOR .140 REF LENGTH.
- 4 TIN-LEAD IN CRIMP AREA.
- 5 MATTE TIN PLATE IN CRIMP AREA.
- 6 OBSOLETE



COLOR CODED GREEN FOR WIRE RANGE IDENTIFICATION (LOOSE PIECE ONLY)



1 5	5-531477-5	5-531477-4
2 5	5-531477-3	5-531477-2
1 4	531477-5	531477-4
2 4	531477-3	531477-2
FINISH	LOOSE PIECE	PART NUMBER

THIS DRAWING IS A CONTROLLED DOCUMENT.		DWN A. STAUB BG 02AUG93	TE Connectivity	
DIMENSIONS: mm [INCHES]		CHK H ROSE 08FEB94	NAME	
TOLERANCES UNLESS OTHERWISE SPECIFIED:		APVD H ROSE 08FEB94	CONTACT, NON-BIFURCATED CRIMP TWIN LEAF	
0 PLC ± - 1 PLC ± - 2 PLC ± - 3 PLC ± - 4 PLC ± - ANGLES ± -		PRODUCT SPEC APPLICATION SPEC	SIZE A2	CAGE CODE 00779
MATERIAL PHOS BRONZE	FINISH SEE TABLE	WEIGHT -	DRAWING NO C=531477	RESTRICTED TO -
CUSTOMER DRAWING			SCALE 10:1	SHEET 1 of 1

单击下面可查看定价，库存，交付和生命周期等信息

[>>TE Connectivity\(泰科\)](#)