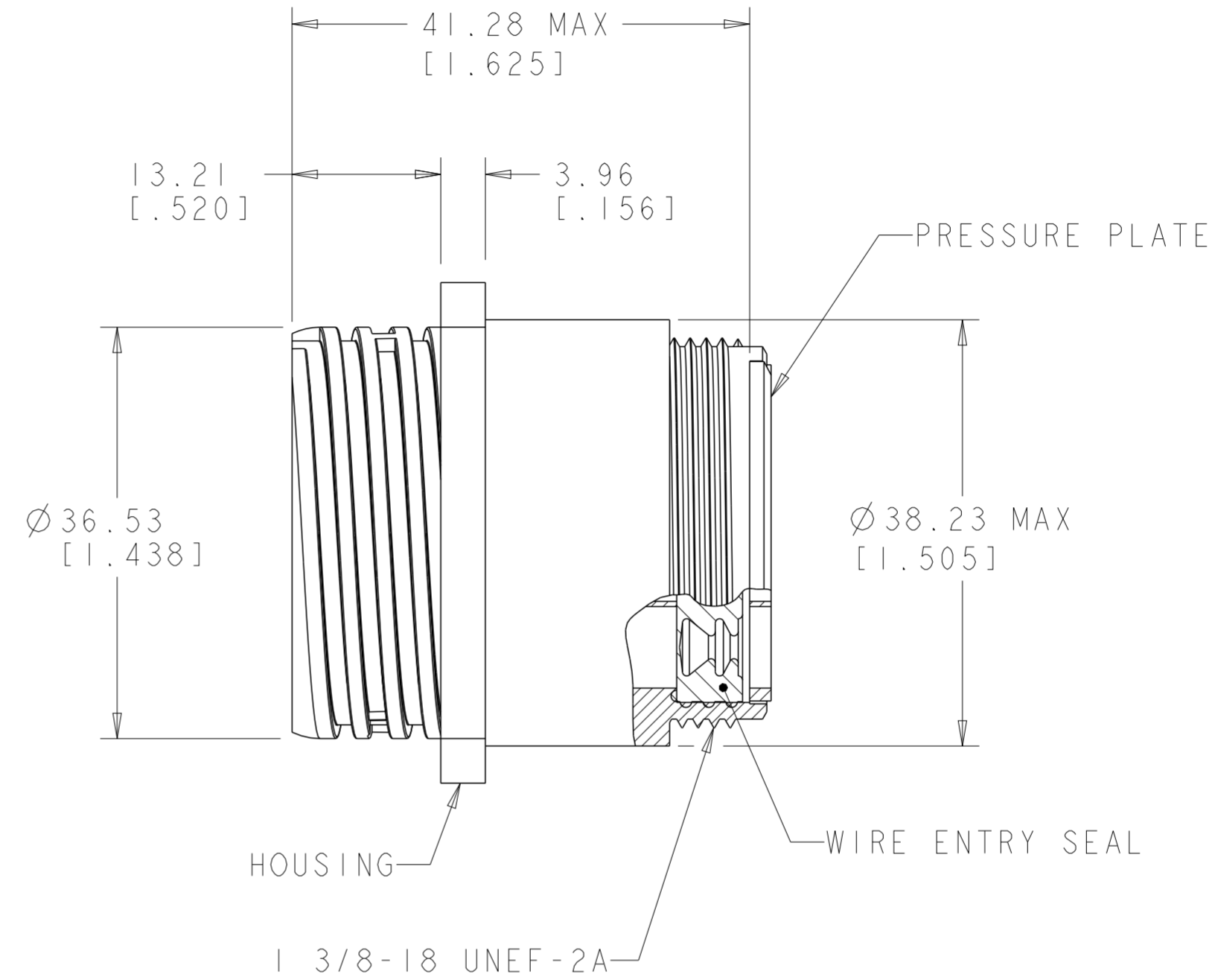
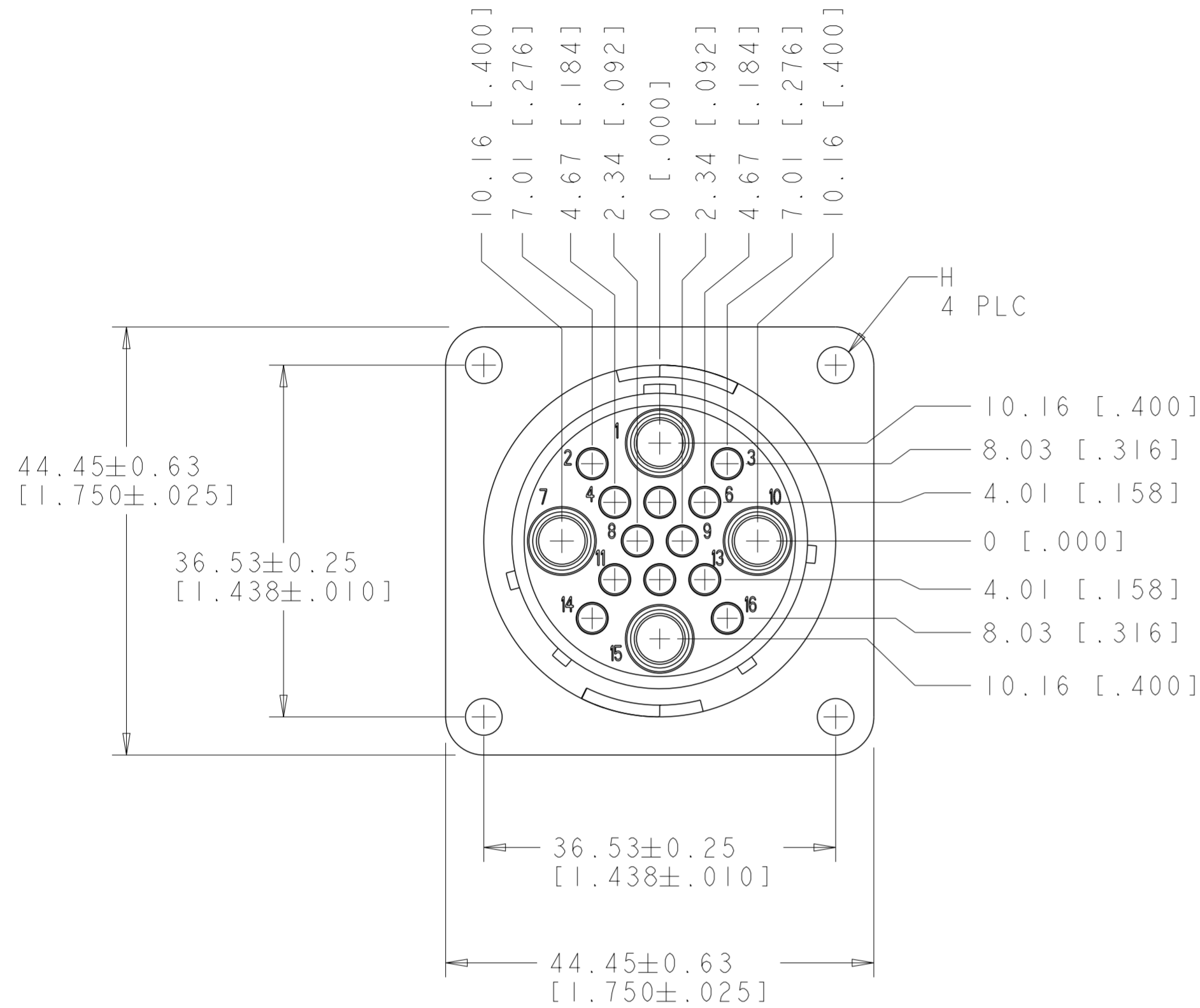
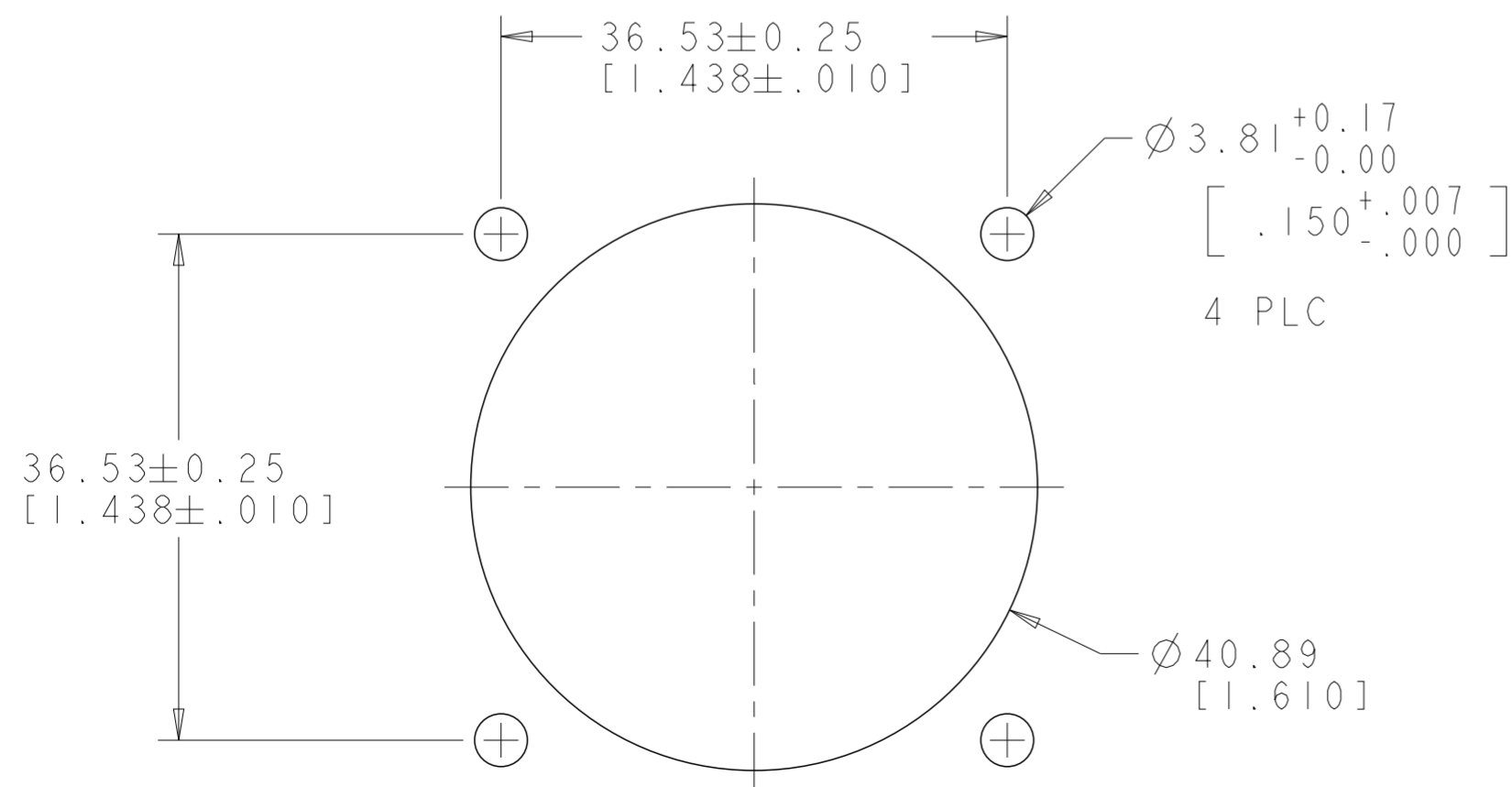


REVISIONS				
P	LTR	DESCRIPTION	DATE	APVD
A		NEW DRAWING PER ECO-12-018480	15NOV2012	KH MZ
B		REVISED PER ECO-19-008872	25JUL2019	RS MZ



- 1. HOUSING & PRESSURE PLATE: NYLON, BLACK.
WIRE ENTRY SEAL: ELASTOMER, RED-IRON OXIDE.
PERIPHERAL SEAL: ELASTOMER, BLACK.
- 2. WILL ACCEPT (12) MULTIMATE PINS AND (4) POWER MALE CONTACTS.



RECOMMENDED PANEL CUTOUT

STD	3.81 ± 0.07 [.150 ± .003]	1977890-1
WIRE ENTRY SEAL	H	PART NUMBER

THIS DRAWING IS A CONTROLLED DOCUMENT.		DWN KIRAN HOLAL 15NOV2012	TE Connectivity
DIMENSIONS: mm [INCHES]		CHK M ZITTO 15NOV2012	
TOLERANCES UNLESS OTHERWISE SPECIFIED:		APVD M ZITTO 15NOV2012	NAME CPC SQUARE FLANGE RECEPTACLE ASSEMBLY SERIES 6, SEALED, 23-16, STANDARD SEX, UV RESISTANT
0 PLC ± 1 PLC ± 2 PLC ±0.02 3 PLC ± 4 PLC ± ANGLES ± FINISH -		PRODUCT SPEC 108-1579	SIZE A200779
MATERIAL		APPLICATION SPEC	CAGE CODE C-1977890
		WEIGHT	DRAWING NO 1977890
CUSTOMER DRAWING		SCALE 2:1	RESTRICTED TO REV B

单击下面可查看定价，库存，交付和生命周期等信息

[>>TE Connectivity\(泰科\)](#)