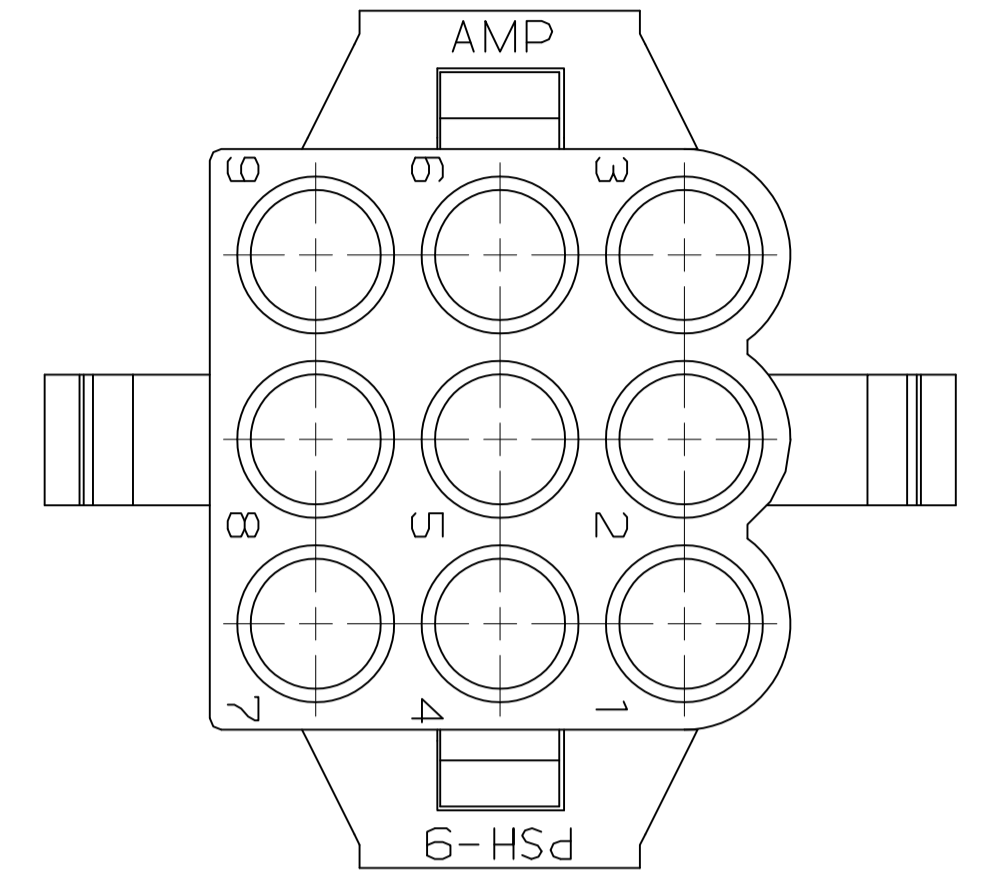
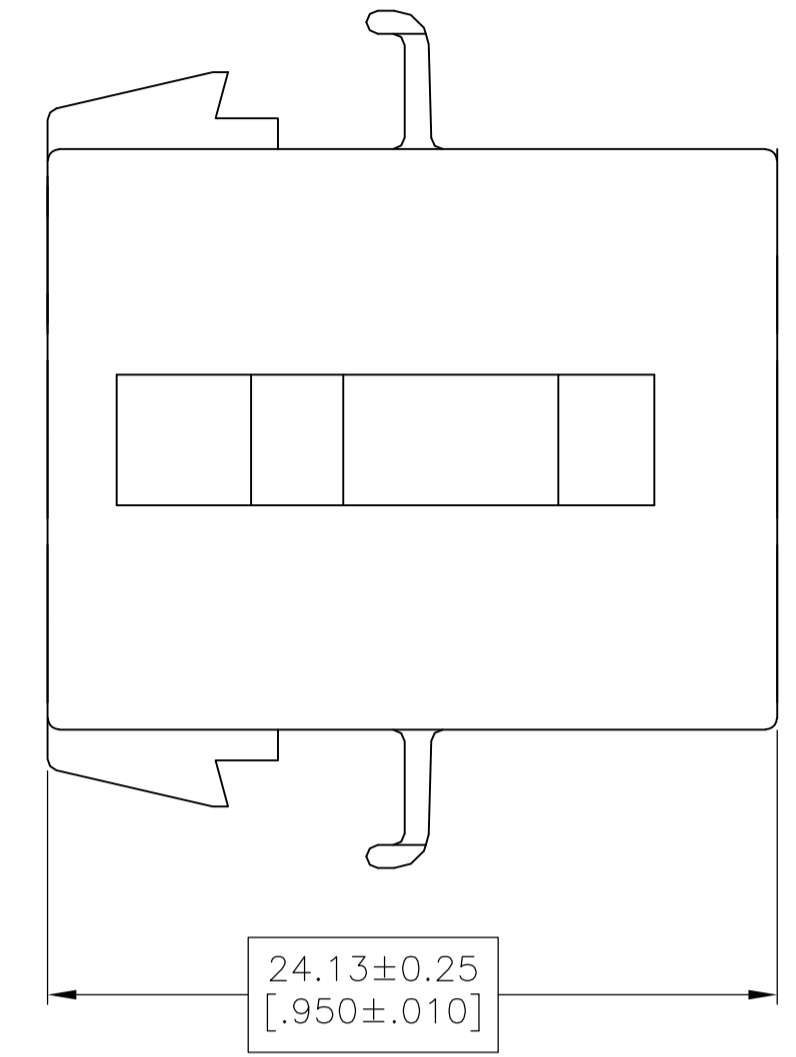
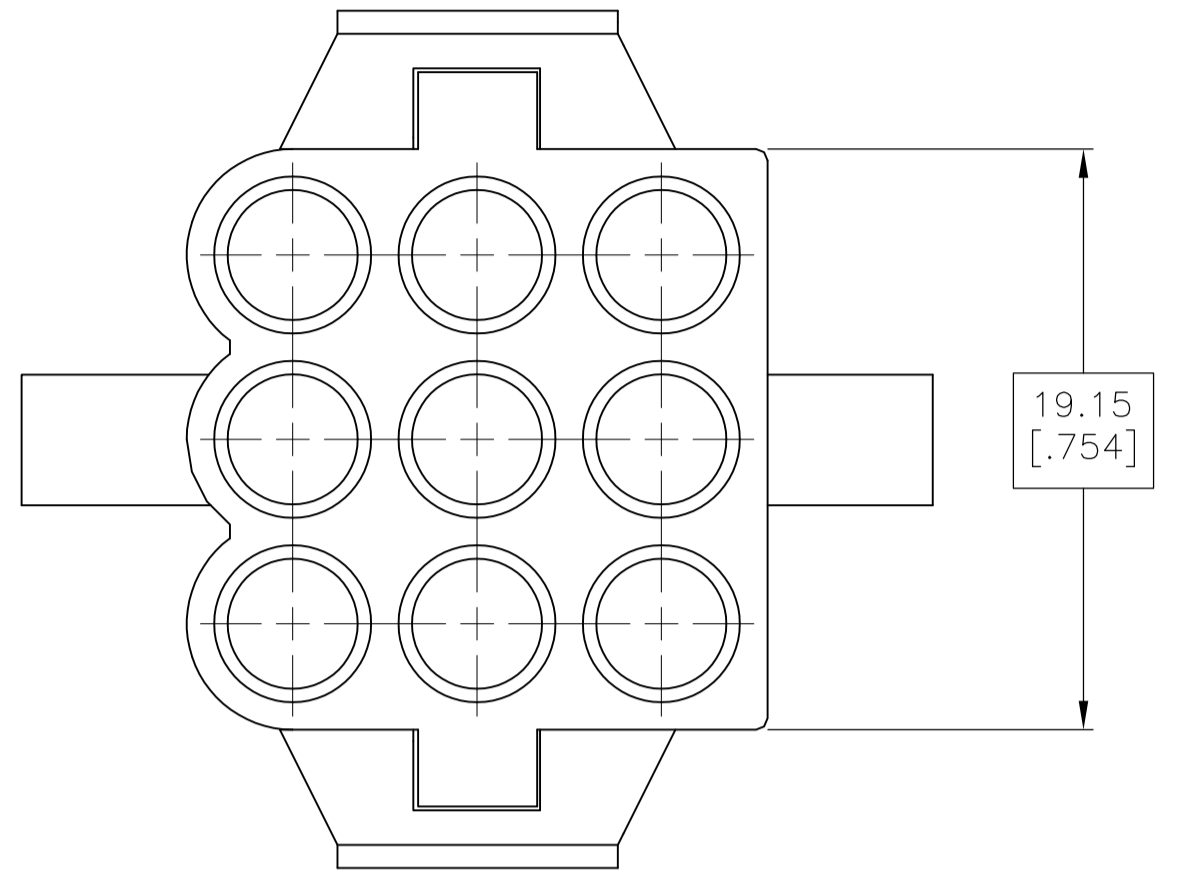
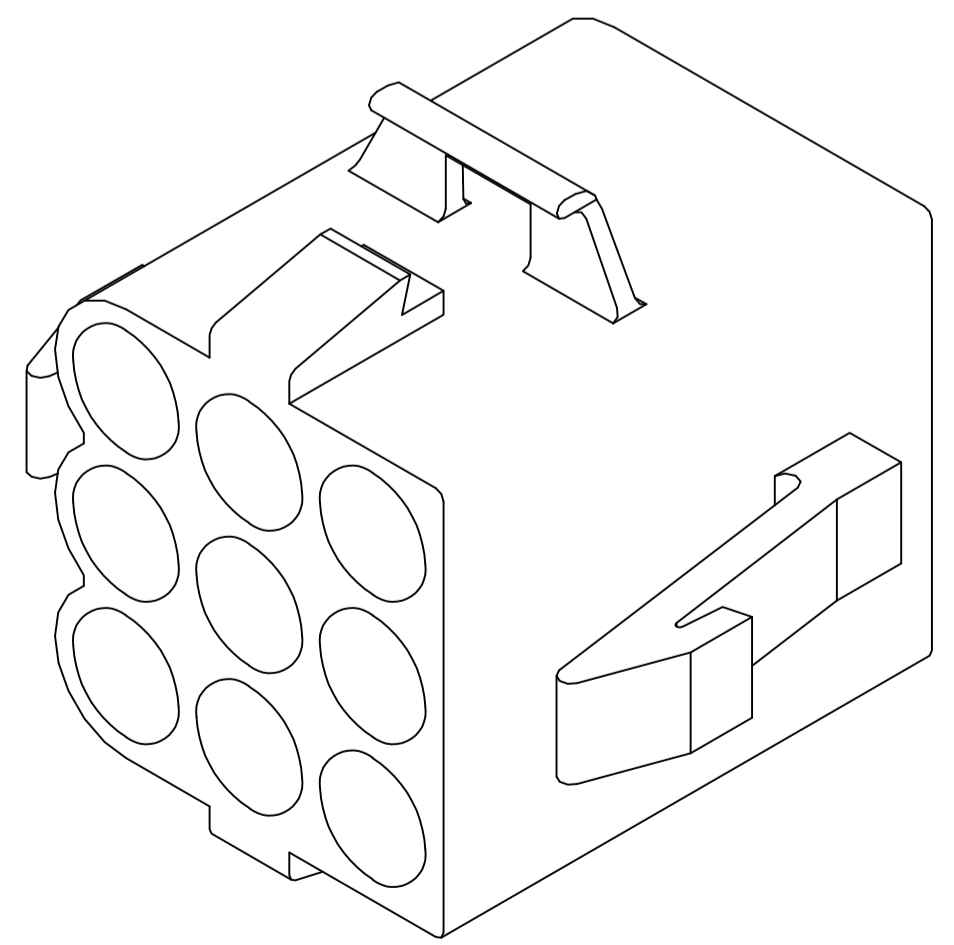
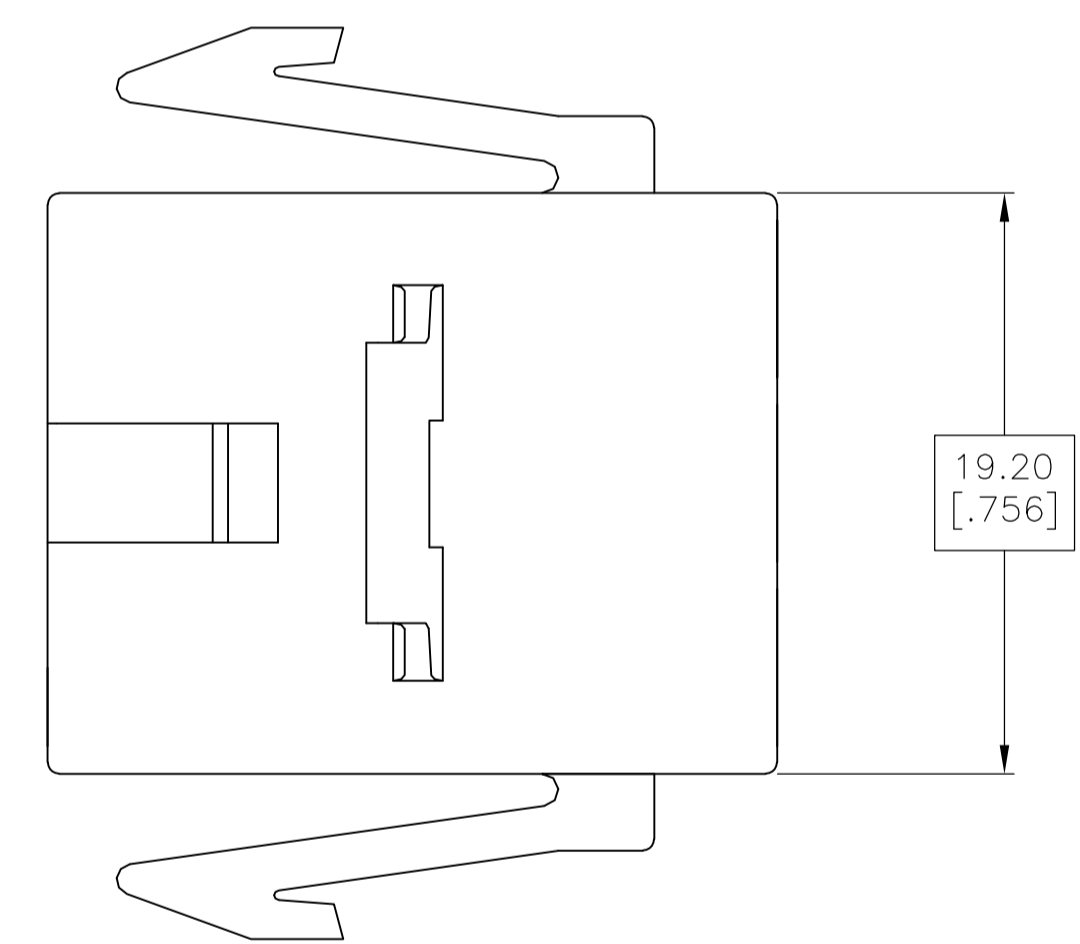


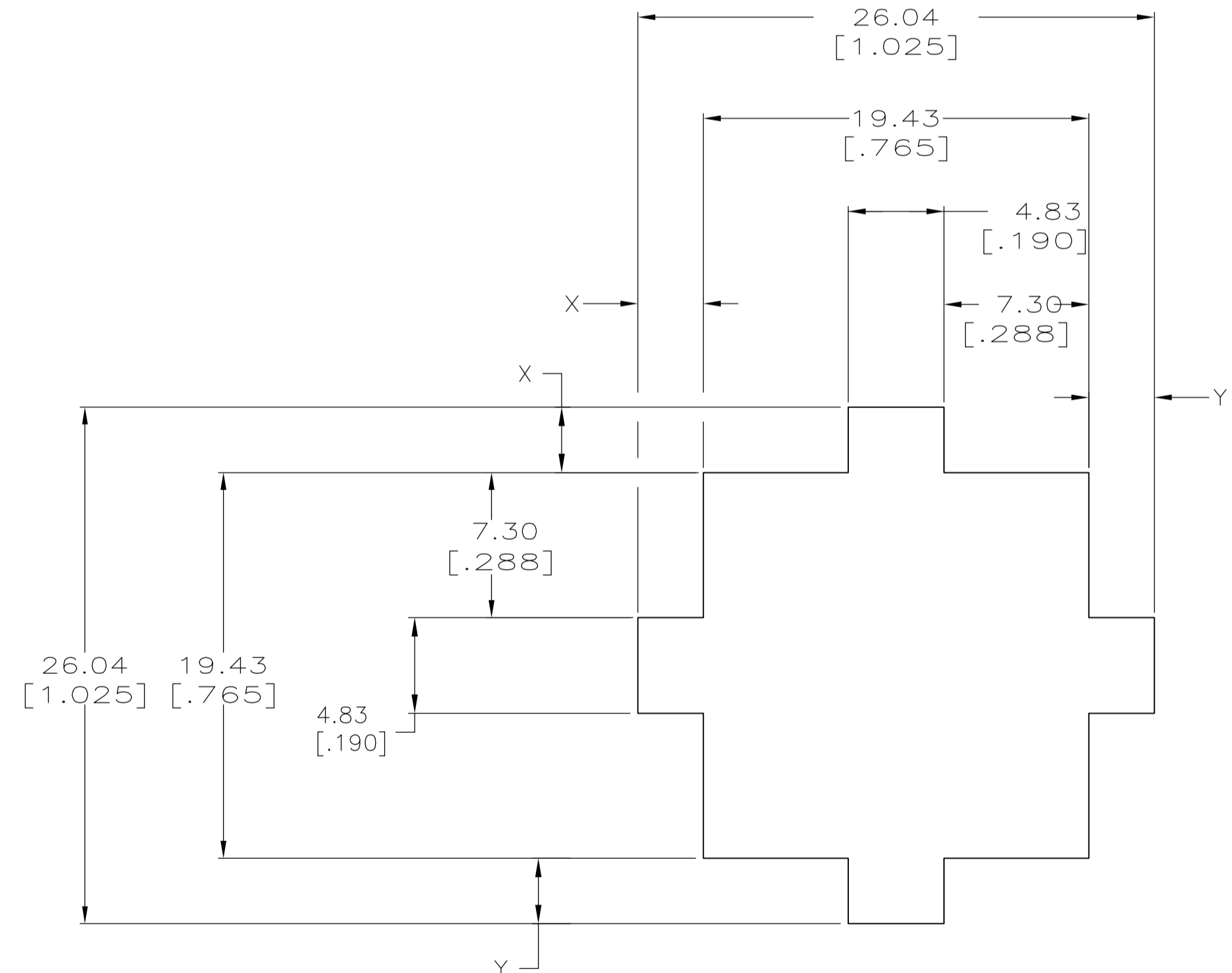
REVISIONS					
P	LTR	DESCRIPTION	DATE	DNW	APVD
A		REVISED PER ECR-14-019206	02NOV2016	NK	SC



- PANEL THICKNESS - 1.02[.040] - 1.78[.070].
- X & Y TO BE EQUAL WITHIN 0.13[.005].
- PANEL MUST BE PUNCHED SO THAT THE HOUSING AND THE PUNCH ENTER THE PANEL IN THE SAME DIRECTION.



3-DIMENSIONAL MODEL NTS



RECOMMENDED PANEL CUT OUT FOR PLUG

1586305-1
PART NUMBER

THIS DRAWING IS A CONTROLLED DOCUMENT.		DIN K. WHITAKER 14-MAY-2003		STE TE Connectivity	
DIMENSIONS: mm		CHK D. COLEY 14-MAY-2003		NAME PLUG, 9 CIRCUIT, .140 MATE-N-LOK™	
TOLERANCES UNLESS OTHERWISE SPECIFIED:		APVD D. COLEY 14-MAY-2003		PRODUCT SPEC	
0. PLC ± -		APPLICATION SPEC		SIZE CAGE CODE DRAWING NO	
1. PLC ± -		MATERIAL NYLON,UL94V-2		WEIGHT 0.000000	
2. PLC ± 0.13[.005]		FINISH -		A1 00779 C=1586305	
3. PLC ± -		RESTRICTED TO		CUSTOMER DRAWING	
4. PLC ± -		SCALE 4:1		SHEET 1 OF 1	
ANGLES ± 0°30'		REV A			

单击下面可查看定价，库存，交付和生命周期等信息

[>>TE Connectivity\(泰科\)](#)