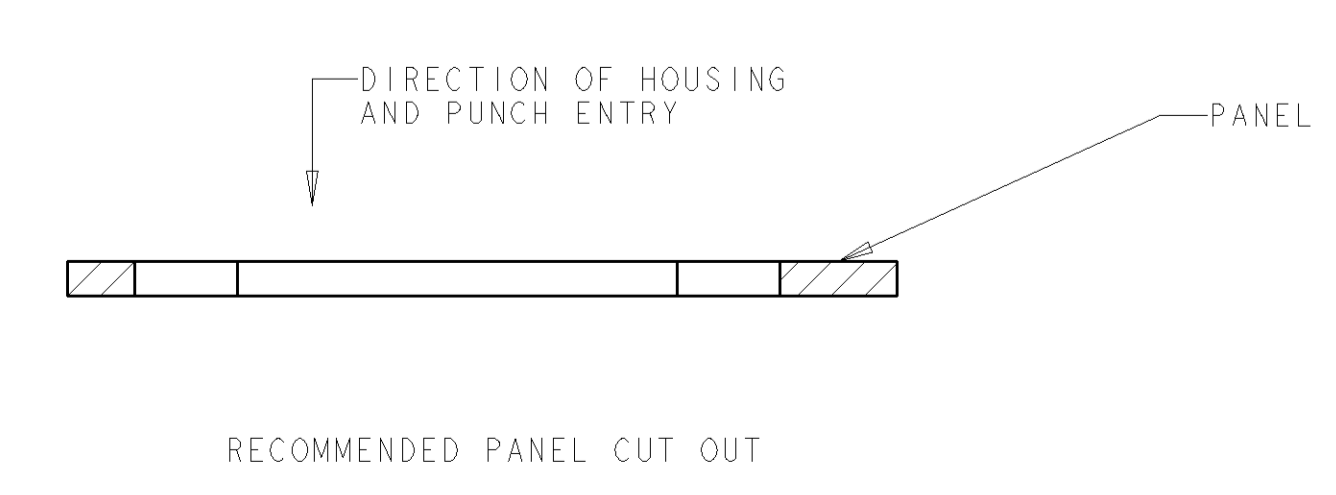
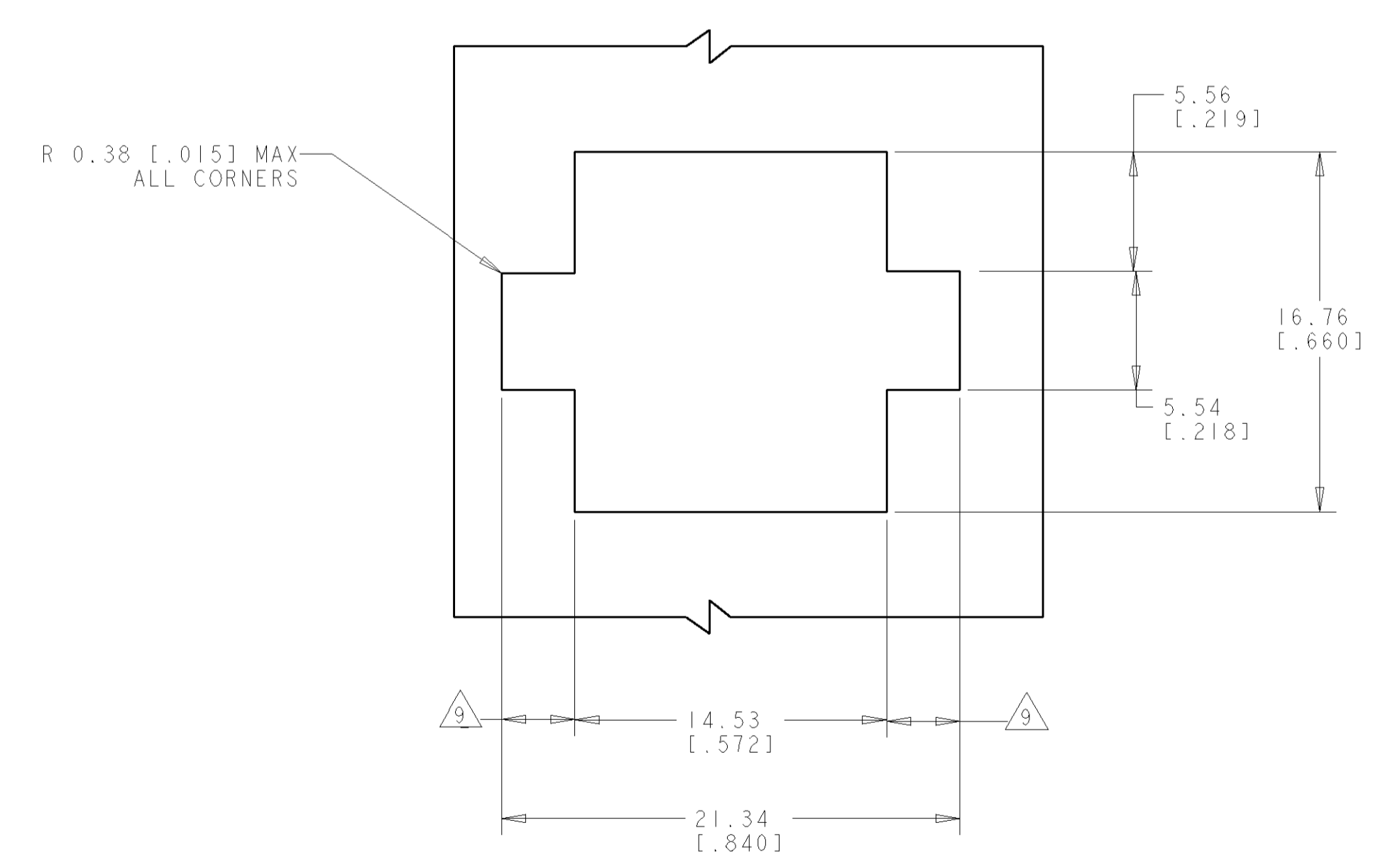
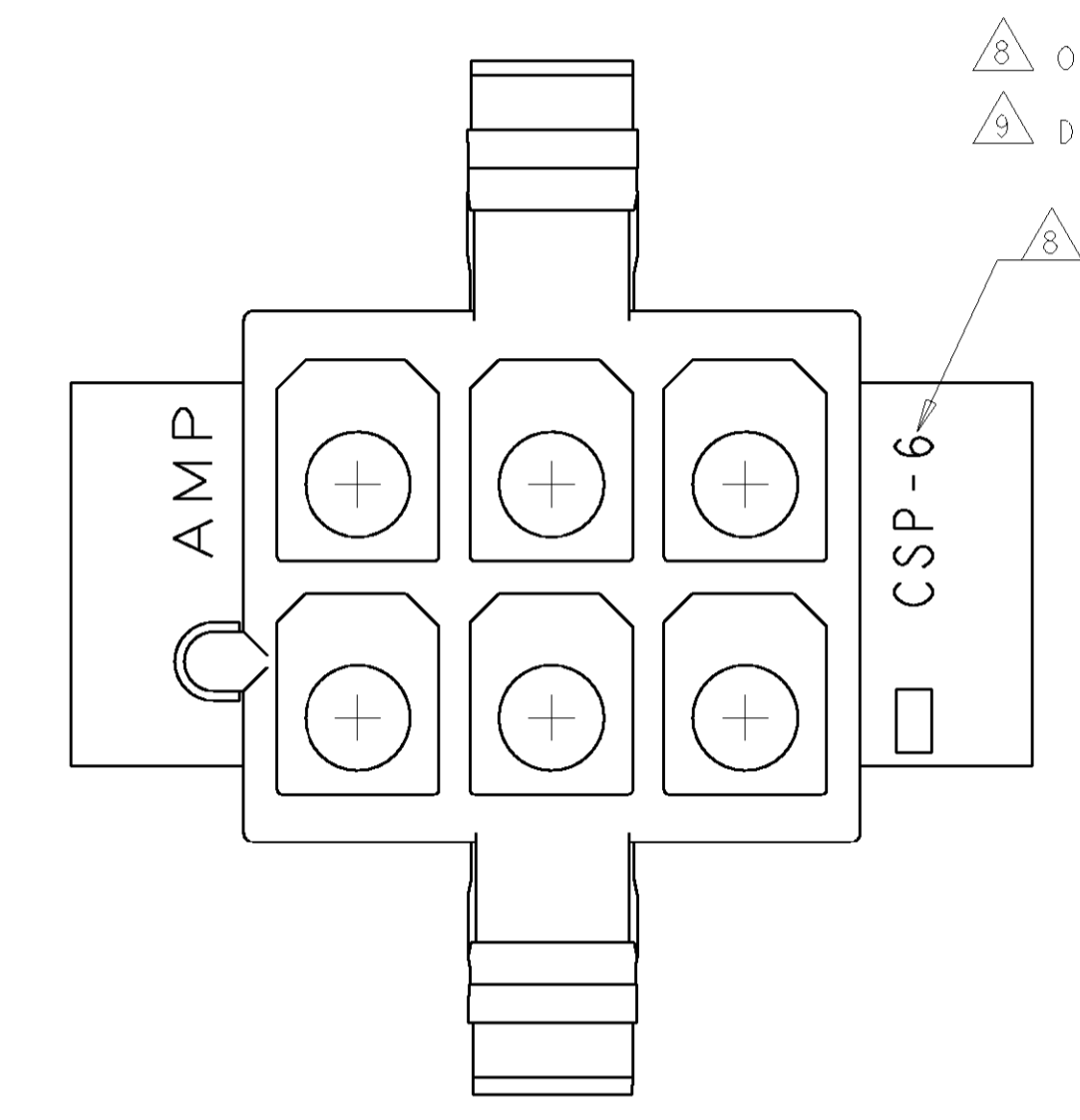
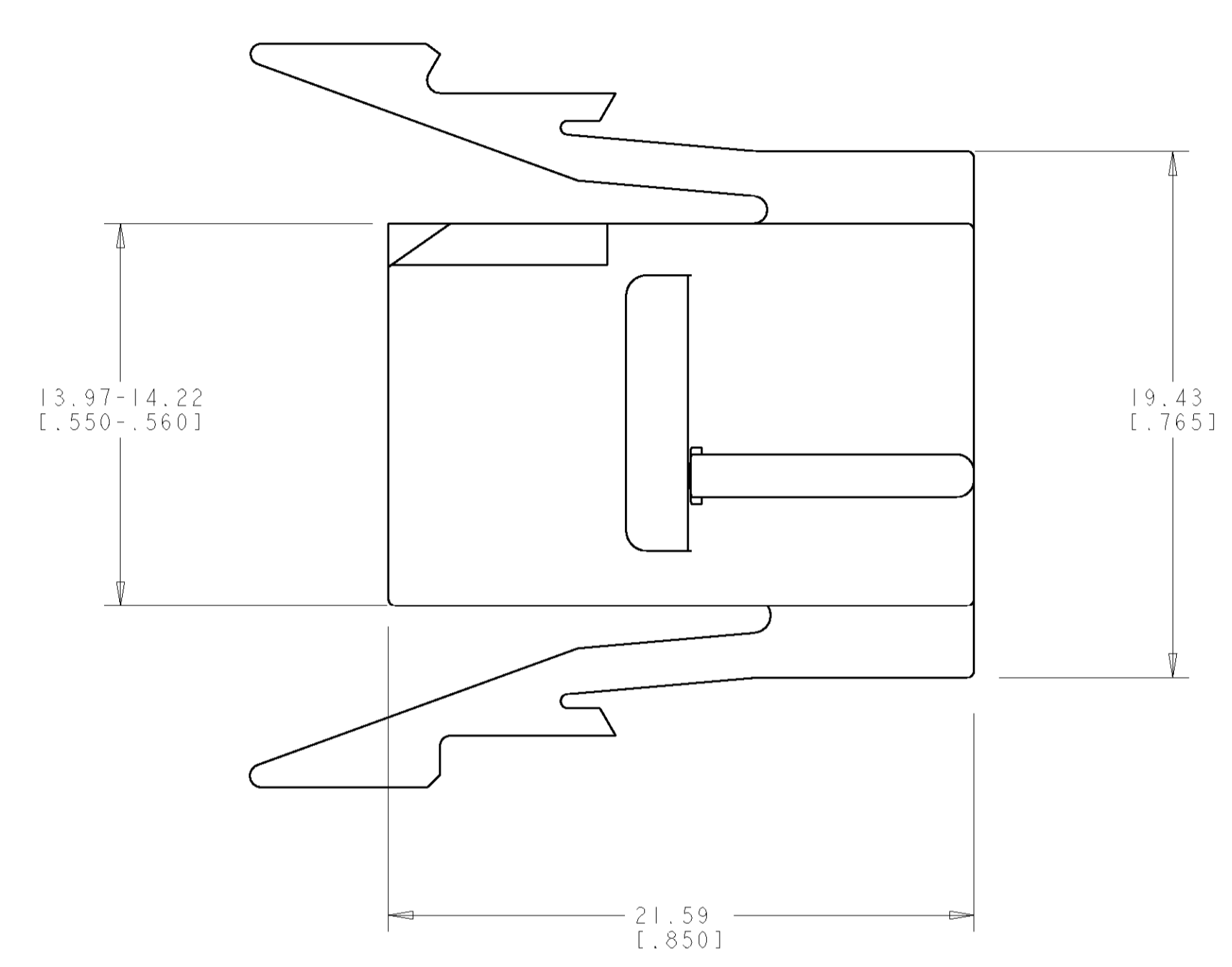
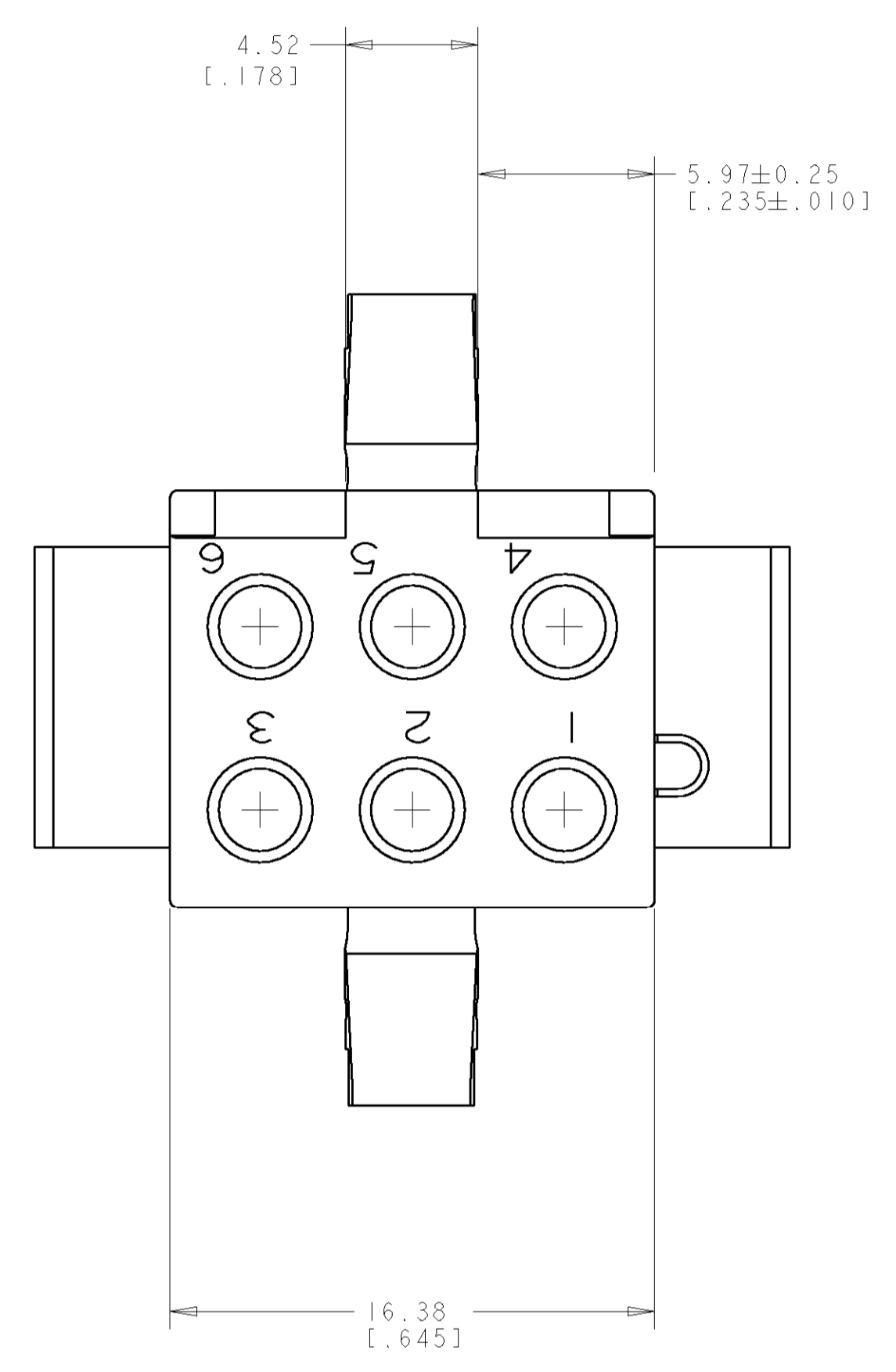
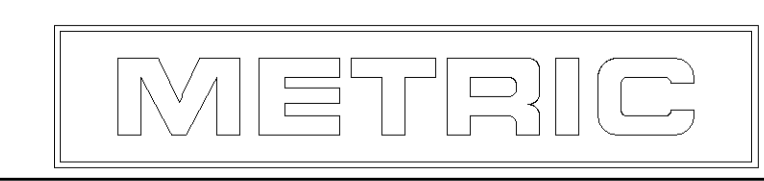


REVISONS		DATE	DWN	APVD
CM	00			
J	REVISED PER 0638-0295-01	15FEB2002	KW	DC

1. TO BE USED WITH MATE-N-LOK™ DUAL LANCE SOCKETS.
  2. MATES WITH CAP 480693.
  3. RECOMMENDED PANEL THICKNESS 0.64-1.65 [.025-.065].
  4. BOTH LOCKING LEGS TO BE SQUEEZED TOGETHER AND HOUSING TO BE INSERTED STRAIGHT IN, AS OPPOSED TO A ROCKING MANNER OF INSERTION.
  5. THE PANEL MUST BE PUNCHED SO THAT THE HOUSING ENTERS THE PANEL IN THE SAME DIRECTION AS THE PUNCH.
  6. PANEL MUST NOT HAVE ANY MATERIAL (PAINT, PORCELAIN, ETC.) APPLIED IN THE MOUNTING HOLE AREA THAT WOULD DECREASE RETENTION OF THE HOUSING IN THE PANEL.
  7. IF NOTES 5 AND/OR 6 ARE NOT COMPLIED WITH, THE 21.34 [.840] DIMENSION SHOULD BE REDUCED TO 20.83 [.820] TO ASSURE PROPER HOUSING RETENTION IN THE PANEL.
- △8 OPTIONAL CONSTRUCTION.  
 △9 DIMENSIONS TO BE EQUAL WITHIN 0.13 [.005].



DIMENSIONS: mm [INCHES]		TOLERANCES UNLESS OTHERWISE SPECIFIED:		DWN R. WHITAKER 15FEB2002		EAK D. COLEY 15FEB2002		APVD D. COLEY 15FEB2002		NAME		Tyco Electronics Harrisburg, PA 17105-3608	
9 PLC	±	9 PLC	±	PRODUCT SPEC	6 CIRCUIT MATE-N-LOK,™ TM		-		SIZE		RESTRICTED TO		
3 PLC	±	3 PLC	±0.13 [.005]	APPLICATION SPEC	PANEL MOUNT PLUG		-		CAGE CODE		DRAWING NO		
4 PLC	±	4 PLC	±	FINISH	-		-		A		00779		
ANGLES	±	ANGLES	±	MATERIAL	NYLON		-		SCALE		SHEET		
									5:1		1 OF 1		
									CUSTOMER DRAWING		REV J		



单击下面可查看定价，库存，交付和生命周期等信息

[>>TE Connectivity\(泰科\)](#)