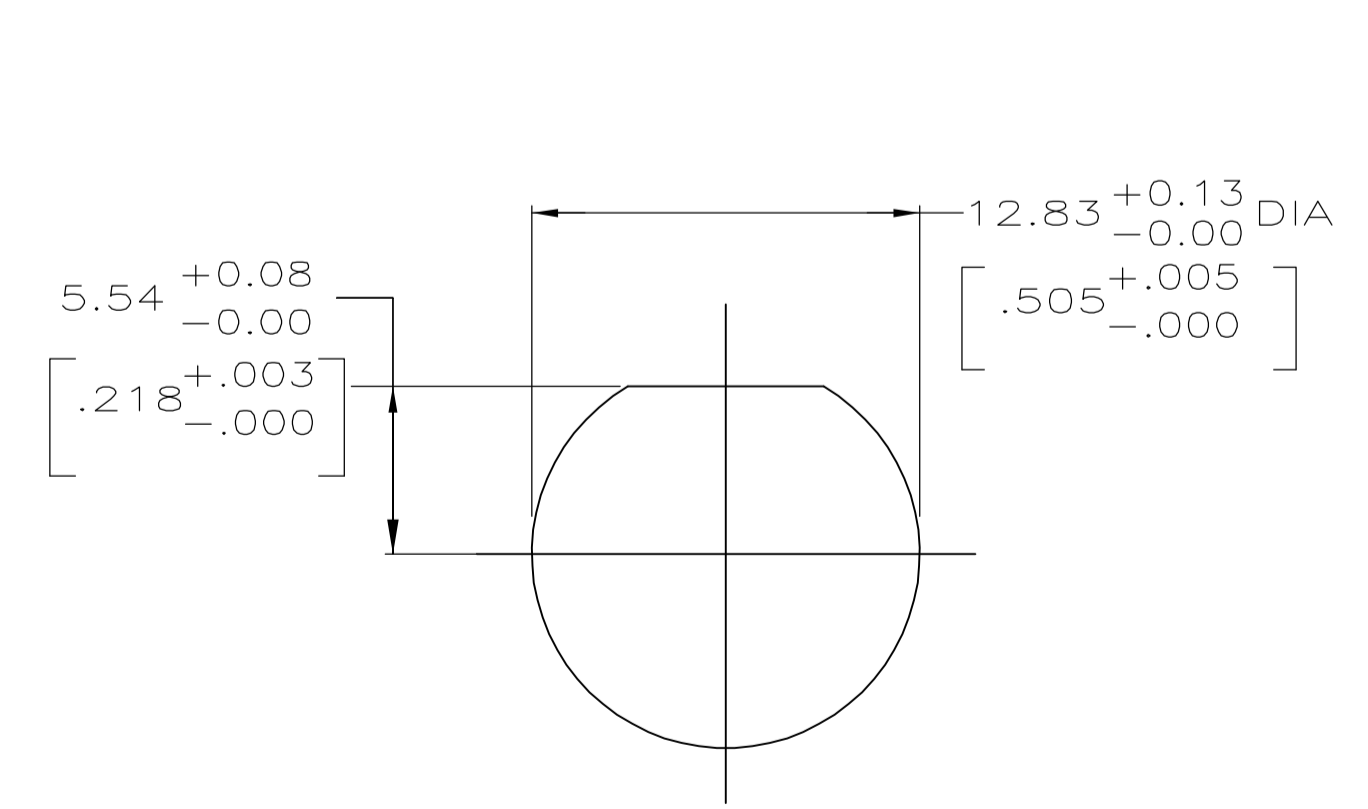
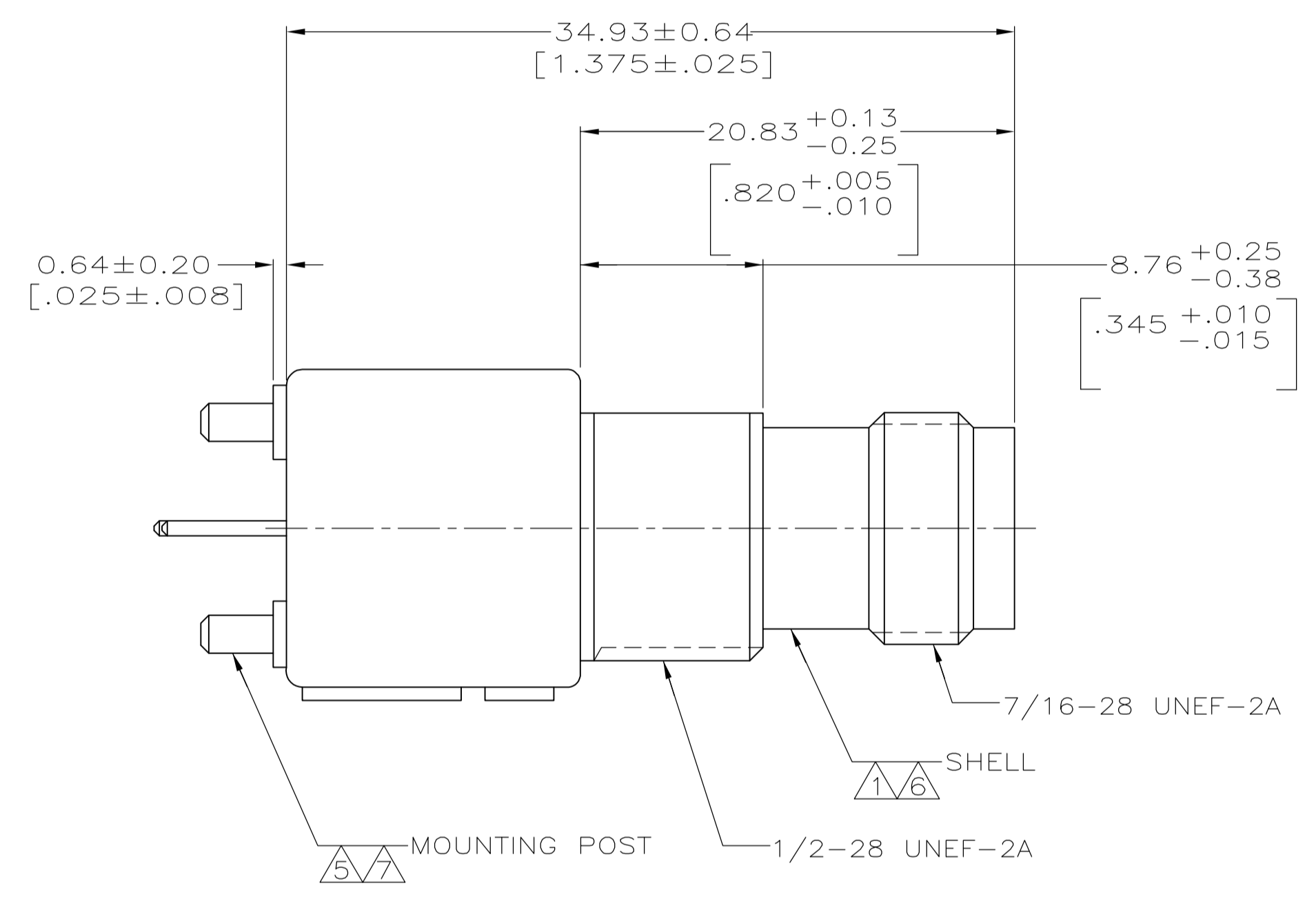
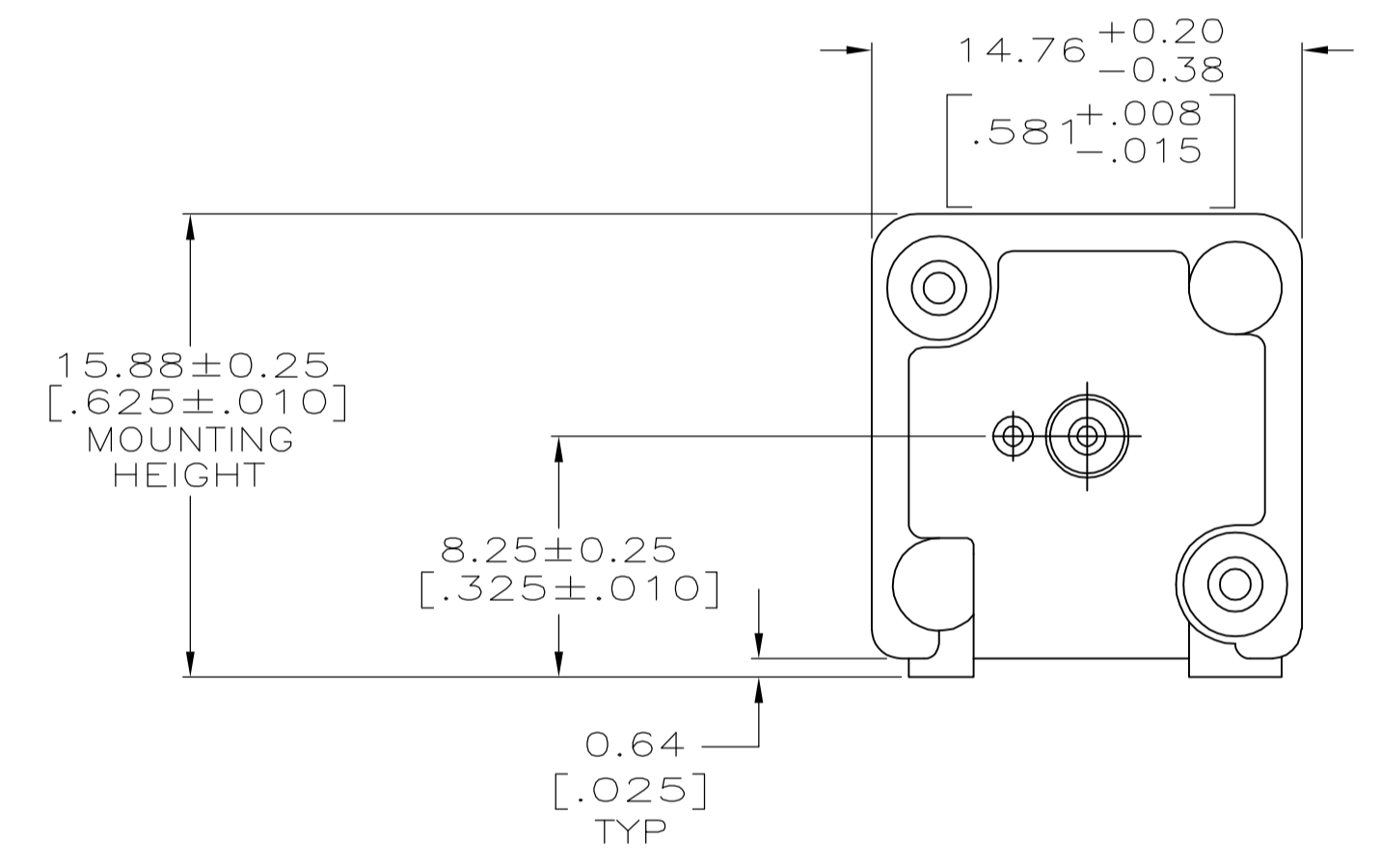
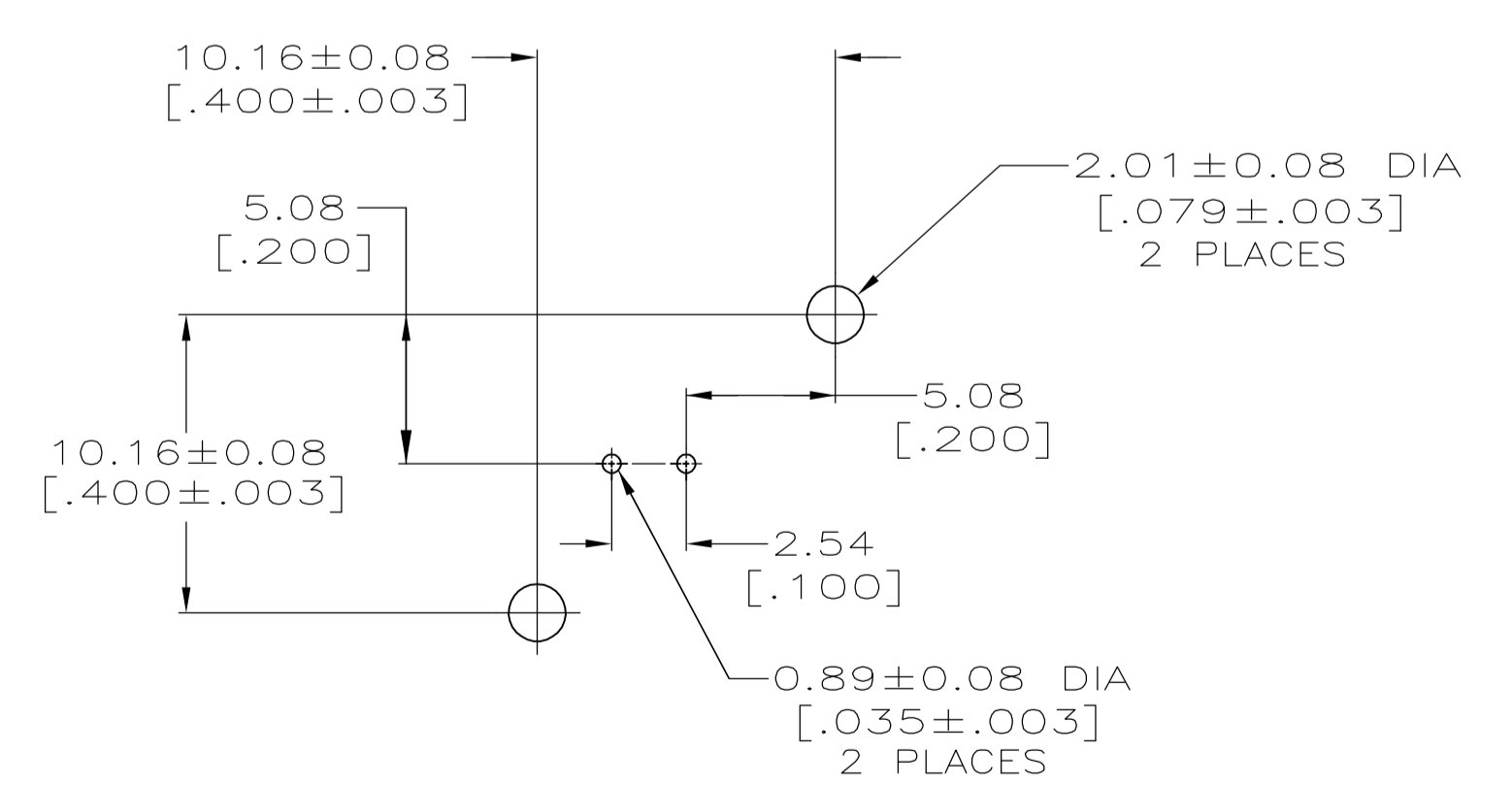


- $\triangle 1$ ZINC PER QQ-Z-363.
- $\triangle 2$ POLYMETHYLPENTENE, GENERAL PURPOSE.
- $\triangle 3$ PHOSPHOR BRONZE PER QQ-B-750.
- $\triangle 4$ BRASS PER ASTM-B-453.
- $\triangle 5$ BRASS PER ASTM-B-16.
- $\triangle 6$ NICKEL PLATE PER QQ-N-290,
3.81 μm [.000150] MINIMUM THK
- $\triangle 7$ TIN PLATE PER ASTM-B-545,
3.81 μm [.000150] MINIMUM THK
- $\triangle 8$ GOLD PLATE PER MIL-G-45204,
0.76 μm [.000030] MINIMUM THK
- 9 SEE INSTRUCTION SHEET 408-2769



RECOMMENDED PANEL CUTOUT



PCB CONFIGURATION

5227835-1
PART NUMBER

THIS DRAWING IS A CONTROLLED DOCUMENT.		DWN DK SCHRUM 30NOV2006		Tyco Electronics Corporation Harrisburg, PA 17105-3608																		
DIMENSIONS: mm[INCHES]		CHK JT LIPPERT 30NOV2006		NAME JACK, VERTICAL, PCB, 50 Ohm, SERIES TNC																		
TOLERANCES UNLESS OTHERWISE SPECIFIED:		APVD JT LIPPERT 30NOV2006	PRODUCT SPEC		RESTRICTED TO																	
<table border="1"> <tr><td>0 PLC</td><td>±</td><td>-</td></tr> <tr><td>1 PLC</td><td>±</td><td>-</td></tr> <tr><td>2 PLC</td><td>±</td><td>0.05 [.002]</td></tr> <tr><td>3 PLC</td><td>±</td><td>-</td></tr> <tr><td>4 PLC</td><td>±</td><td>-</td></tr> <tr><td>ANGLES</td><td>±</td><td>-</td></tr> </table>		0 PLC	±	-	1 PLC	±	-	2 PLC	±	0.05 [.002]	3 PLC	±	-	4 PLC	±	-	ANGLES	±	-	APPLICATION SPEC		SIZE A1
0 PLC	±	-																				
1 PLC	±	-																				
2 PLC	±	0.05 [.002]																				
3 PLC	±	-																				
4 PLC	±	-																				
ANGLES	±	-																				
MATERIAL SEE NOTES 1-5		WEIGHT -		CAGE CODE 00779	DRAWING NO 5227835																	
FINISH SEE NOTES 6-8		CUSTOMER DRAWING		SCALE 4:1	SHEET 1 of 1																	

单击下面可查看定价，库存，交付和生命周期等信息

[>>TE Connectivity\(泰科\)](#)