

4

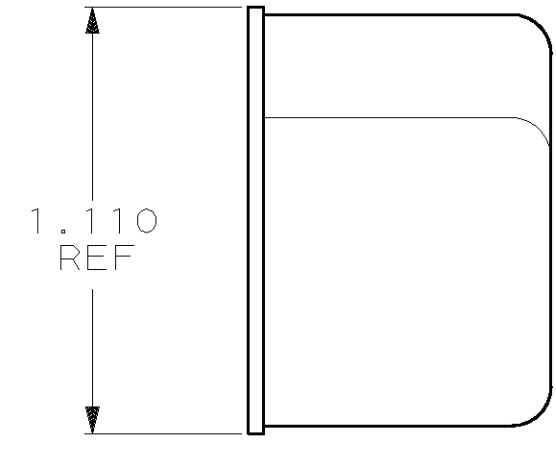
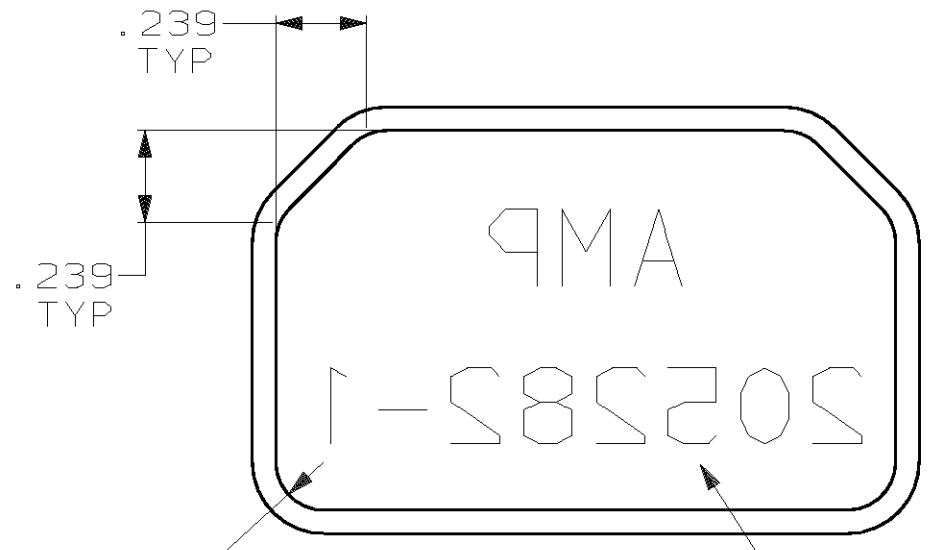
3

2

1

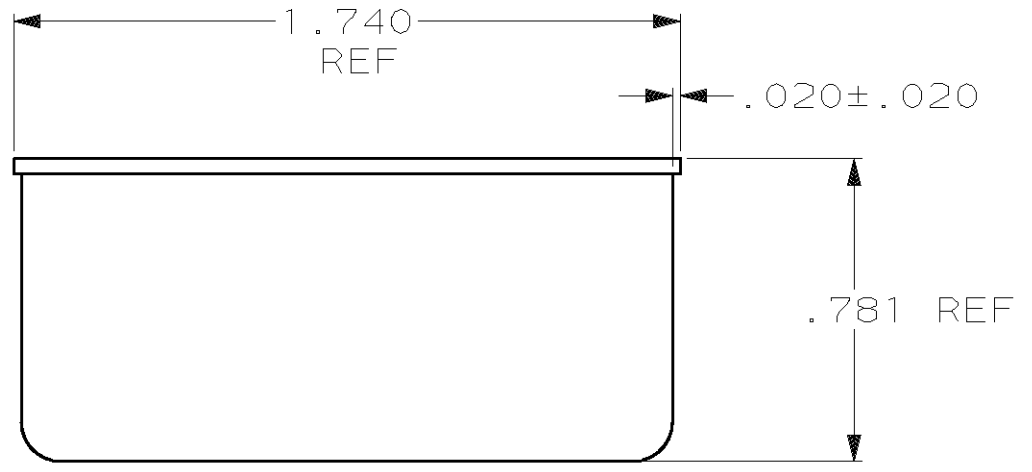
THIS DRAWING IS UNPUBLISHED. RELEASED FOR PUBLICATION ,19 .
 © COPYRIGHT 19 BY AMP INCORPORATED. ALL RIGHTS RESERVED.

LOC	DIST	REVISIONS			
P	LTR	DESCRIPTION	DATE	DWN	APVD
DF	A0	B	REV & REDRAWN; 0600-8210-99	10-99	CT RG


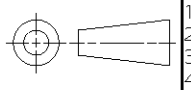


R.125
6 PLC

CHAR'S RAISED OR DEPRESSED
.250 HIGH REF



205282-1
PART NUMBER

THIS DRAWING IS A CONTROLLED DOCUMENT.		DWN C.C. THOMAS 10/28/99	 AMP Incorporated Harrisburg, PA 17105-3608		
DIMENSIONS: INCHES		CHK R. GROSS 11-4-99			
TOLERANCES UNLESS OTHERWISE SPECIFIED:		APVD R. GROSS 11-4-99	NAME DUST CAP, PLUG, ARINC		
		PRODUCT SPEC -	SIZE A3		
MATERIAL .040 THICK TRANSPARENT VINYL		APPLICATION SPEC -	CAGE CODE 00779	DRAWING NO C-205282	RESTRICTED TO -
FINISH -		WEIGHT -	CUSTOMER DRAWING		SCALE 2:1
		SHEET 1 OF 1		REV B	

单击下面可查看定价，库存，交付和生命周期等信息

[>>TE Connectivity\(泰科\)](#)