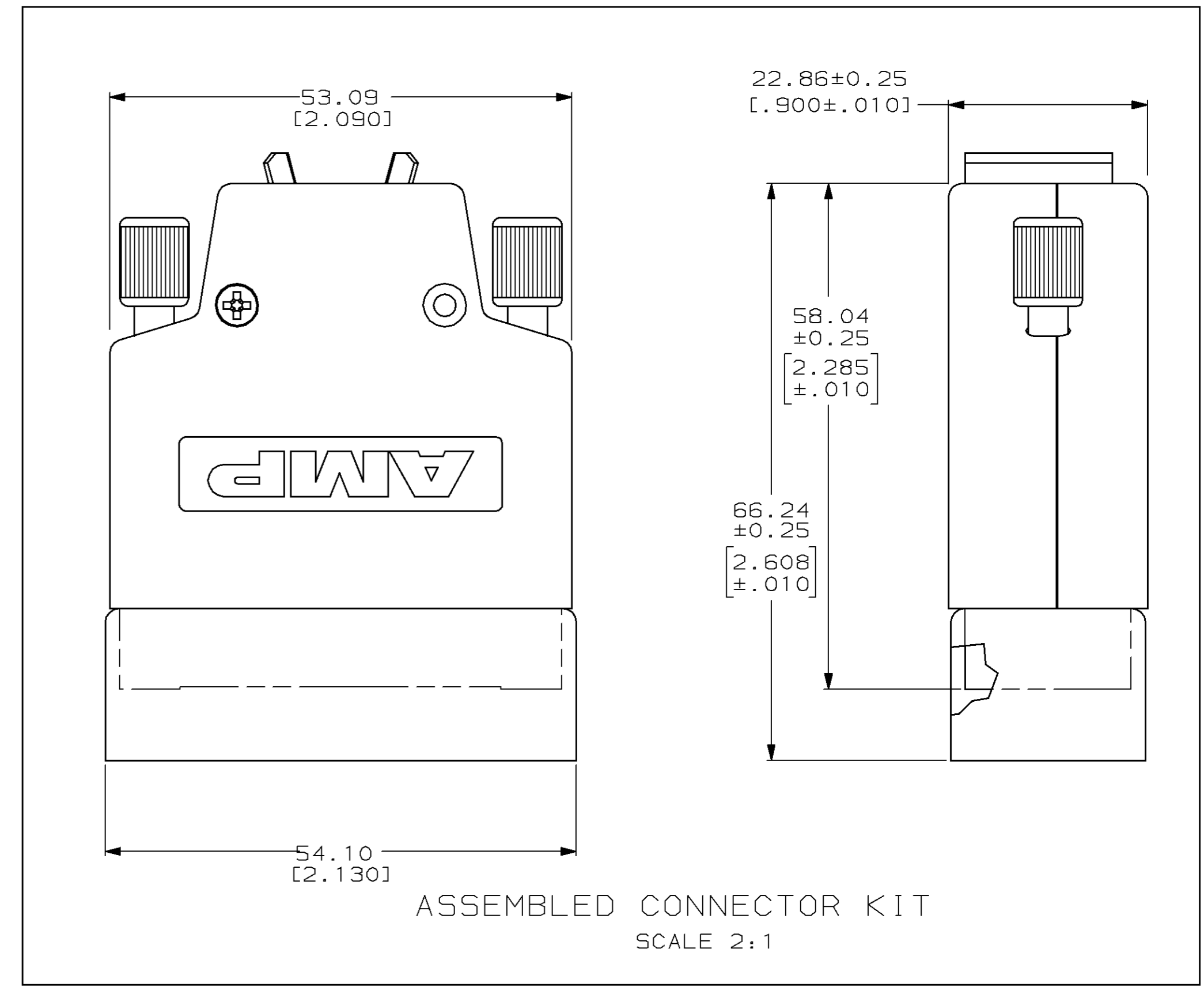
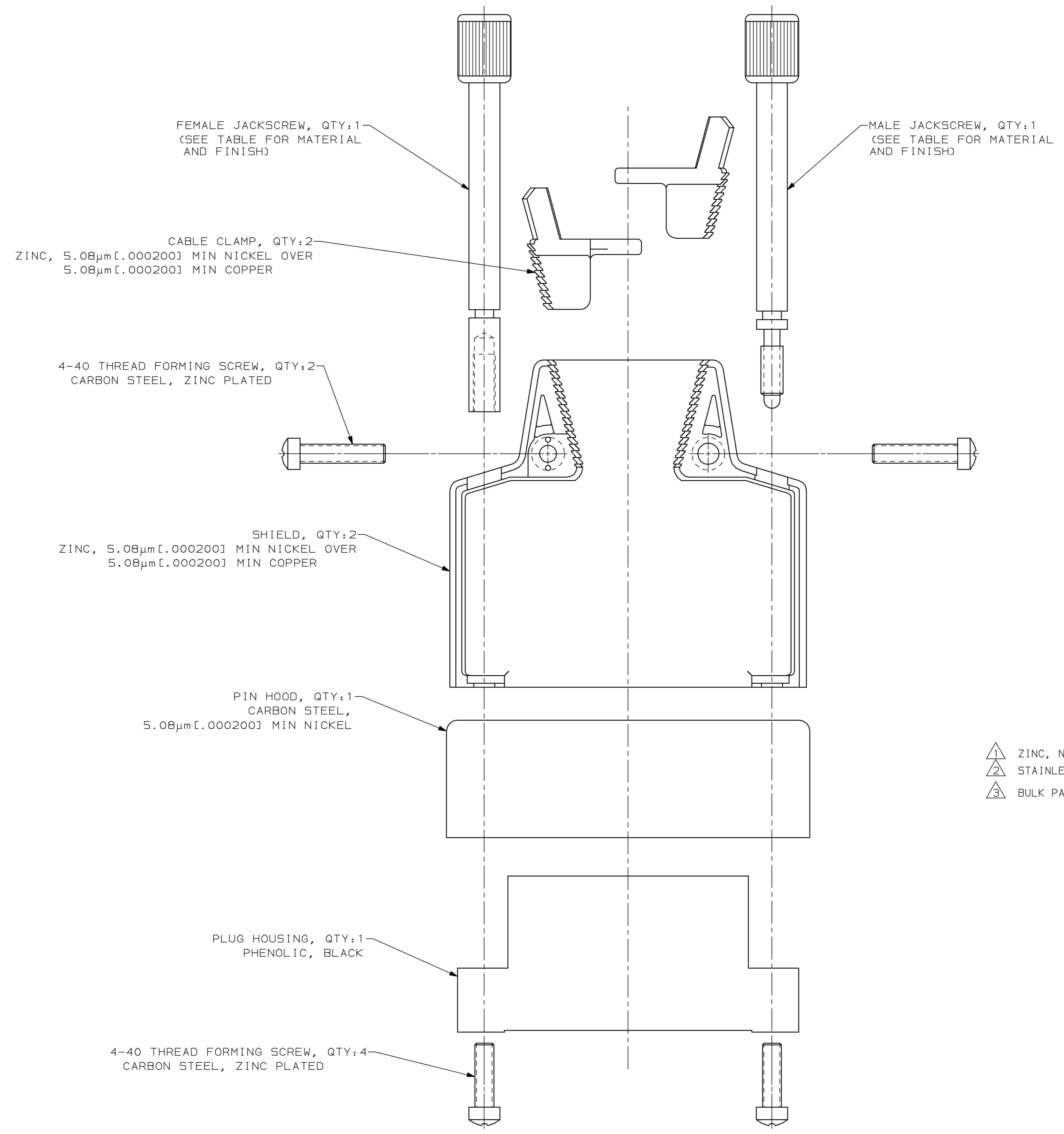


LOC	DIST	P	F	ZONE	LTR	DESCRIPTION	DATE	APPD
FT	8					REVISED PER NPR 3588, WAS 90-4883-31	6-21-91	-
						ADDED -5 PER NPR 4275	07/22/92	SK
						ADDED -6 PER NPR 4287	07/30/92	RK
						ADDED -7 & -8 PER NPR 4304	08/12/92	SK
						ADDED -9 PER NPR 5009	12/15/93	TC
						REV PER ECN 0020-430-94	04/28/94	TC
						ADDED 1--0 PER EC 0020-1216-94	11/10/94	TC
						REV PER EC 0020-216-95	03/27/95	TC
						REV PER EC 0020-318-95	05/05/95	TC
						ADDED 1--1 PER EC 0320-46-96	11 SEP 96	MM
						0B5 -5, -6 & -8 PER EC 0020-598-96	07 JAN 97	MM



- 1 ZINC, NICKEL PLATED.
- 2 STAINLESS STEEL.
- 3 BULK PACKAGED.

OBsolete	1	2	3	YES	CABLE DIAMETER	PART NO		
	1	1	1	YES	3.81-7.62 [.150-.300]	1-213684-1		
	1	1	1	NO	3.81-7.62 [.150-.300]	1-213684-0		
	1	1	1	YES	3.81-7.62 [.150-.300]	213684-9		
OBsolete	1	1	1	NO	6.35-10.16 [.250-.400]	213684-8		
	1	1	1	NO	10.16-15.24 [.400-.600]	213684-7		
OBsolete	1	1	1	YES	6.35-10.16 [.250-.400]	213684-6		
OBsolete	1	1	1	YES	10.16-15.24 [.400-.600]	213684-5		
	1	1	1	YES	6.35-10.16 [.250-.400]	213684-4		
	1	1	1	YES	10.16-15.24 [.400-.600]	213684-3		
	1	1	1	NO	6.35-10.16 [.250-.400]	213684-2		
	1	1	1	NO	10.16-15.24 [.400-.600]	213684-1		
					JACKSCREW	PIN HOOD	CABLE DIAMETER	PART NO

DO NOT SCALE PRINT. UNLESS SPECIFIED DIMENSIONS IN mm [INCHES] TOLERANCES ON: 2 PLC DEC ± 0.13(.005) 3 PLC DEC ± - ANGLES ± -		DR 6-21-91 W.G.LENKER CHK 6-27-91 R STONE APPD 6-28-91 A BOULLIANNE APPD 6-28-91 A BOULLIANNE		AMP Incorporated Harrisburg, PA 17105-3608	
SEE CALLOUTS		PRODUCT SPEC -		NAME CONNECTOR KIT, UNASSEMBLED, 34 POSITION, M SERIES	
FINISH SEE CALLOUTS		APPLICATION SPEC -		SIZE D 00779	DRAWING NO 213684
		WEIGHT -		SCALE 3:1	SHEET 1 OF 1

单击下面可查看定价，库存，交付和生命周期等信息

[>>TE Connectivity\(泰科\)](#)