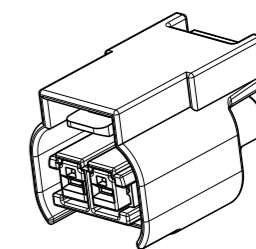
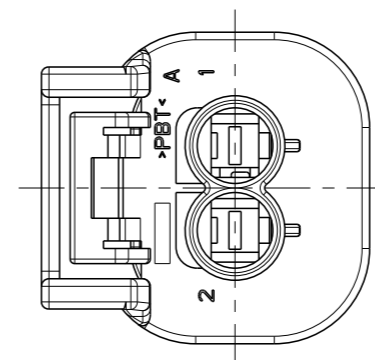
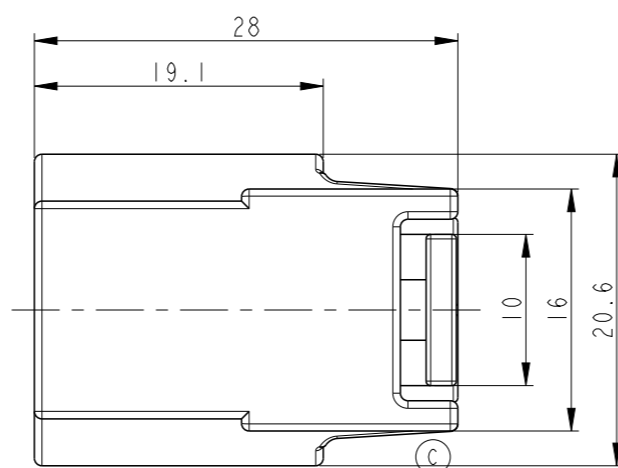
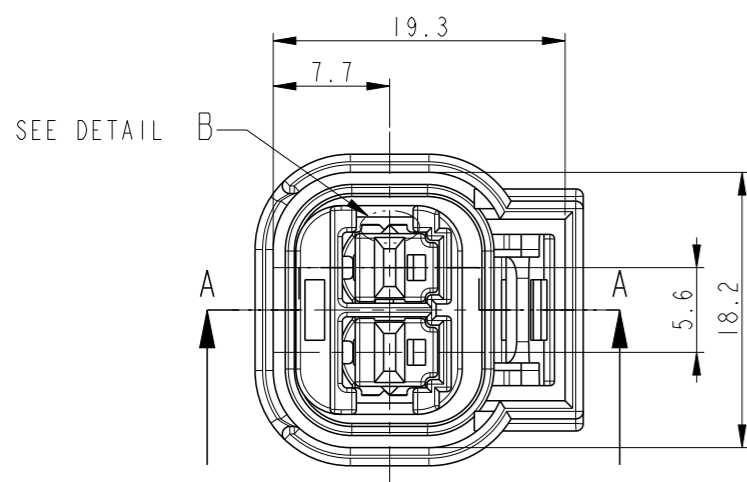
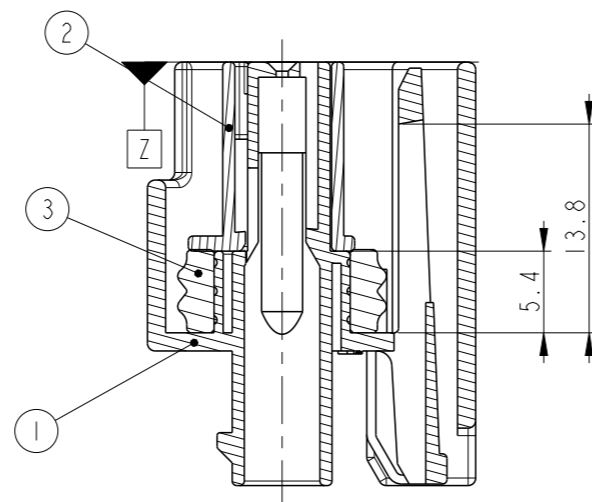
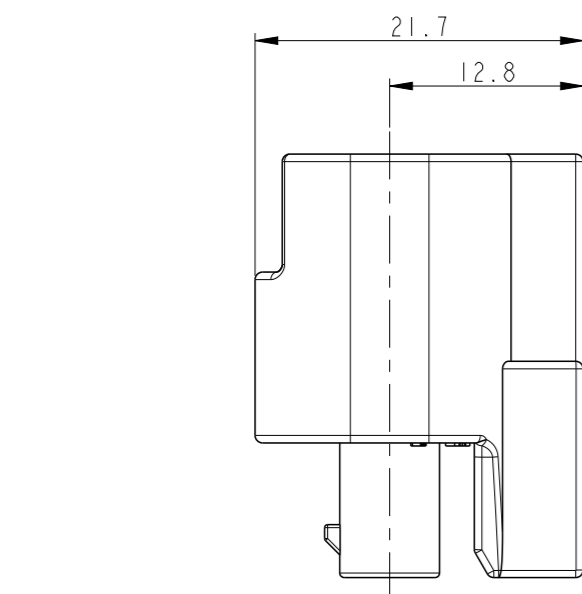


REVISIONS

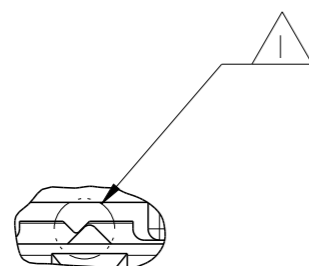
P	LTR	DESCRIPTION	DATE	DWN	APVD
	A1	REVISED (ECR-09-008548)	16APR2009	KT	HG
	B	REVISED (ECR-11-012401)	15JUN2011	SJ	HG
	C	REVISED (ECR-17-003244)	29MAR2017	SJ	JW



3D VIEW
SCALE 1:1



SECTION A-A



DETAIL B
SCALE 5:1

5

0 <XX<10	± 0.2
10 <XX<30	± 0.25
30 <XX	± 0.3
ANGLES	± 3°

NOTES

- CONDITIONN OF DELIVERY : DBL PLATE IN OPEN POSITION
- APPLIED RECEPTACLE CONTACT P/N :

CONTACT	JPT TERMINAL		
Part No.	927772-3	927770-3	927766-3
WIRE SIZE (mm ²)	0.3	0.5 ~ 1.0	1.5 ~ 2.5

- APPLIED MALE CONNECTOR P/N : 936291-1
- APPLIED WIRE COVER HSG P/N : 936311-1
(CORRUGATOR DIA : Ø5)

5 GENERAL TOLERANCE

NO.	COLOR/FINISH	MATERIAL	DESCRIPTION	QT'Y
3	RED ORANGE	SILICONE	INNER SEAL	1
2	WHITE	PBT GF10	DBL PLATE	1
1	BLACK	PBT	PLUG HSG	1

936248-2
ASSY P/N

THIS DRAWING IS A CONTROLLED DOCUMENT.

DIMENSIONS: mm	TOLERANCES UNLESS OTHERWISE SPECIFIED:
	0 PLC ±
	1 PLC ±
	2 PLC ±
	3 PLC ±
	4 PLC ±
MATERIAL SEE TABLE	ANGLES ±
	FINISH ±

DWN HS BAE
CHK BM JANG
APVD CS IFF
PRODUCT SPEC
APPLICATION SPEC
WEIGHT

STE TE Connectivity			
NAME 090 SEALED 2P PLUG ASSY			
SIZE A3	CAGE CODE 00779	DRAWING NO G-936248	RESTRICTED TO -

CUSTOMER DRAWING SCALE 2:1 SHEET 1 OF 1 REV C

单击下面可查看定价，库存，交付和生命周期等信息

[>>TE Connectivity\(泰科\)](#)