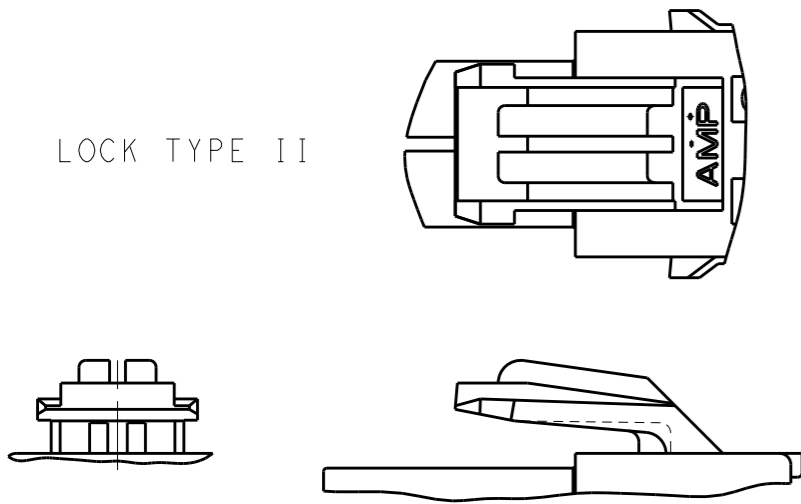


THIS DRAWING IS UNPUBLISHED. RELEASED FOR PUBLICATION 20
 © COPYRIGHT 20 BY - ALL RIGHTS RESERVED.

REVISIONS

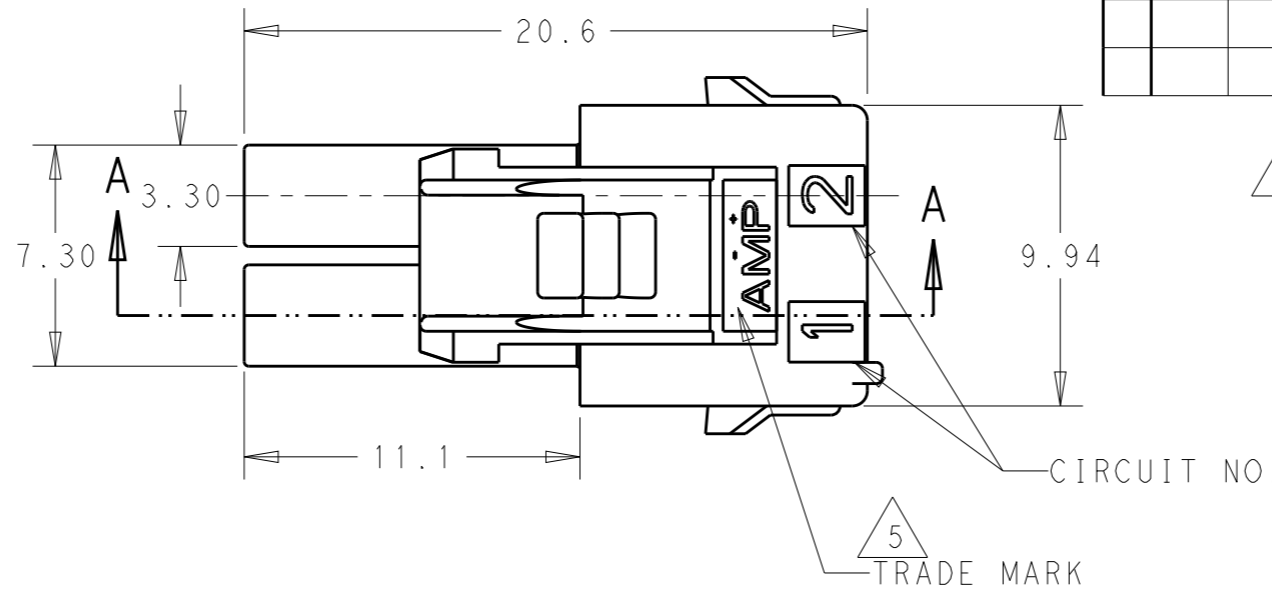
P	LTR	DESCRIPTION	DATE	DWN	APVD
E4		REVISED PER ECR ECR-19-017851	28NOV2019	SM	DZ
E5		REVISED PRE ECR-20-100583	19OCT2020	M.G	D.Z

LOCK TYPE II



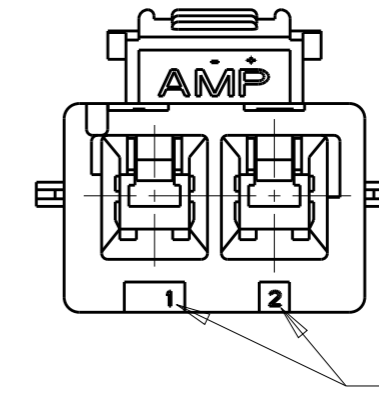
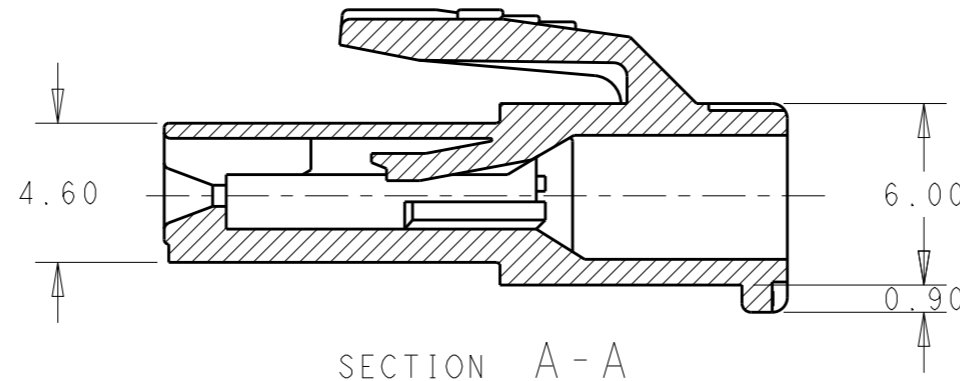
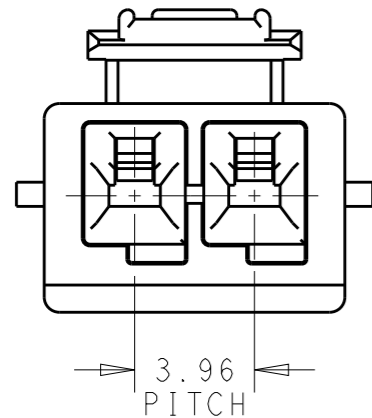
SCALE 3:1

AS SHOWN LOCK TYPE I



5 TABLE 1

TRADE MARK	MANUFACTURING LOCATION
- AMP OR AMP	JAPAN
+AMP OR AMP	CHINA (PRC)
AMP OR AMP	KOREA



NOTES:

- 1 APPLICABLE CONTACT P/N
REC CONTACT : 177915-□ (#20-#16 AWG)
177914-□ (#26-#22 AWG)
- 2 MATING CONN. P/N
CAP HSG : 177906-□ (PANEL MOUNT)
TAB CONTACT : 177917-□ (#20-#16 AWG)
177916-□ (#26-#22 AWG)

7 PART 5-177898-1 COMPLY WITH GLOW WIRE REQUIREMENT FOR PARTS OF NON-METALLIC MATERIAL SUPPORTING A CURRENT-CARRYING CONNECTION DETAILED IN IEC 60335-1, SECTION 30 (GWT)

3 APPLICABLE PLATE P/N : 177918-□

4 INSTRUCTION SHEET : 411-5638

5 SEE TABLE 1

6 ALL PARTS MEET RTI ELECTRICAL RATING OF 105C ACCORDING TO UL1977.

LOCK TYPE II	NATURAL	2	3-177898-1
LOCK TYPE I	NATURAL	2	5-177898-1
	BLACK	2	177898-9
	BLUE	2	177898-6
	GREEN	2	177898-5
	YELLOW	2	177898-4
	RED	2	177898-2
NATURAL	2	177898-1	
LOCK TYPE	HOUSING COLOR	POS	PART NUMBER

THIS DRAWING IS A CONTROLLED DOCUMENT.		DWN M. SUZUKI 09SEP1993	TE Connectivity		
DIMENSIONS: mm		CHK M. SHINDO 09SEP1993			
TOLERANCES UNLESS OTHERWISE SPECIFIED:		APVD Y. KASHIWA 09SEP1993	NAME		
0 PLC ± 1 PLC ±0.25 2 PLC ±0.20 3 PLC ± 4 PLC ± ANGLES ±3°		PRODUCT SPEC 108-5410	AMP POWER DBL LOCK CONN, 3.96mm PITCH 2 Pos PLUG HOUSING (SGL ROW)		
MATERIAL 6/6 NYLON (UL 94V-0)		APPLICATION SPEC 114-5175	SIZE A3	CAGE CODE 00779	DRAWING NO C-177898
FINISH -		WEIGHT -	RESTRICTED TO		
		CUSTOMER DRAWING	SCALE 5:1	SHEET 1 OF 1	REV E5

单击下面可查看定价，库存，交付和生命周期等信息

[>>TE Connectivity\(泰科\)](#)