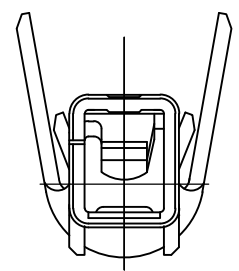
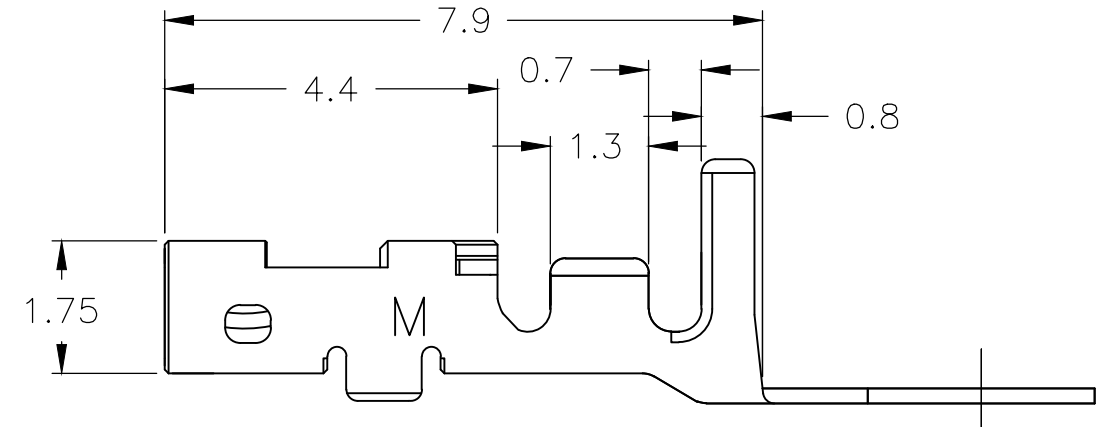
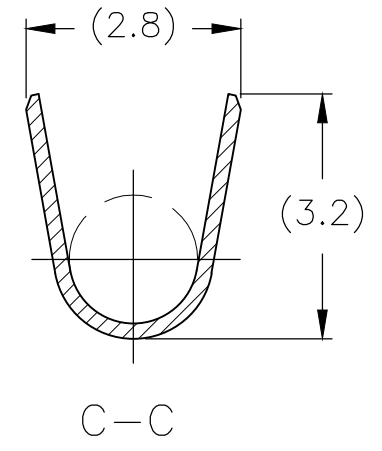
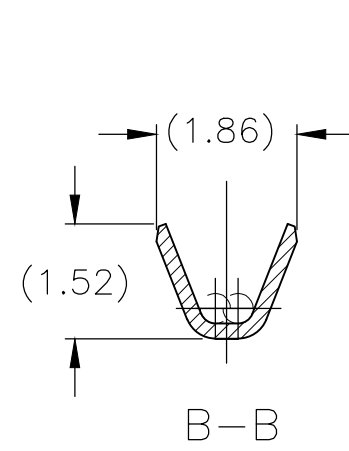
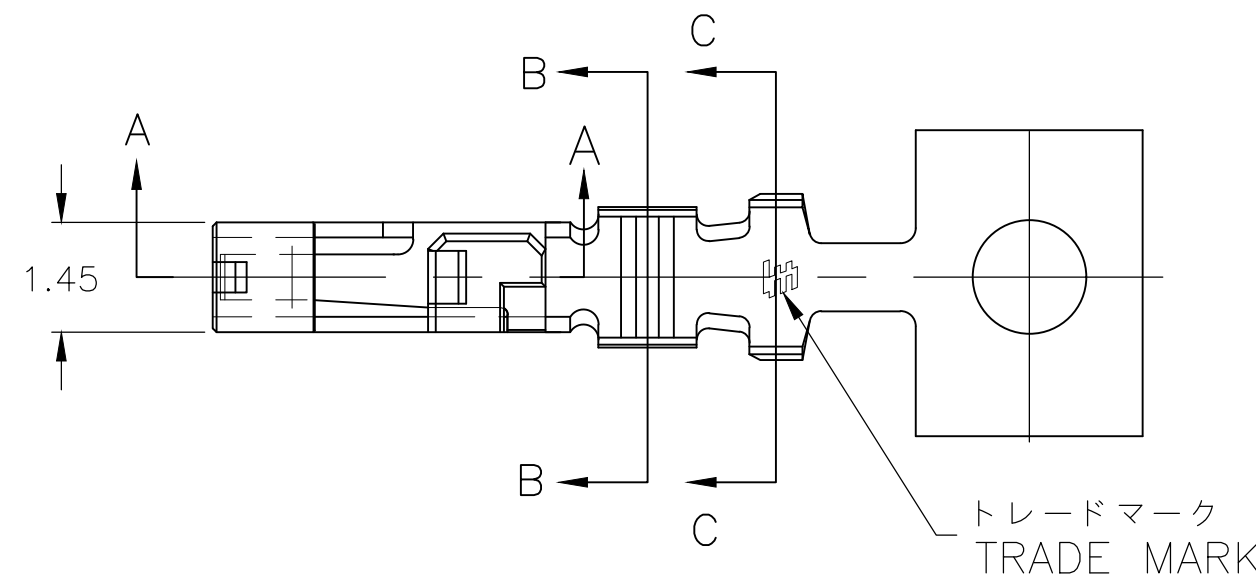
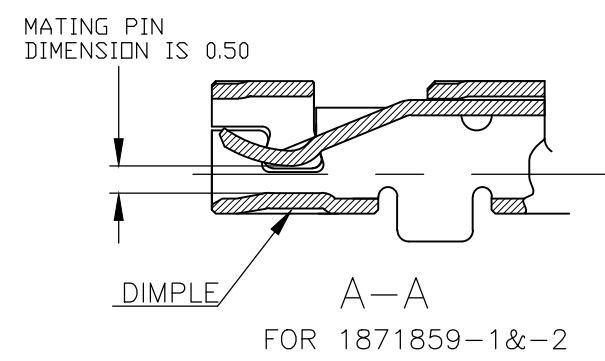
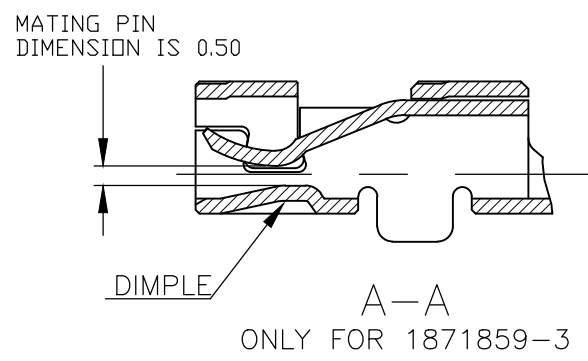


THIS DRAWING IS UNPUBLISHED. RELEASED FOR PUBLICATION FEB ,2006.
 © COPYRIGHT 2006 TE Connectivity Ltd. ALL RIGHTS RESERVED.

REVISIONS 変更				
P	LTR	DESCRIPTION	DATE	APVD
	E	REVISED PER ECR-19-015859	18Nov2019	C.X D.Z



- 1 適用プラグ・ハウジング型番
X-1747066-X
- △ 高接点圧タイプ
- 1 APPLICABLE PLUG HOUSING P/N
X-1747066-X
- △ HIGH PRESSURE TYPE
- △ DIFFERENT DIMPLE TYPE



AWG#28~#22 0.079~0.38mm2	φ1.08~φ1.9	PRE-TIN COPPER ALLOY	1871859-3 △
AWG#28~#22 0.079~0.38mm2	φ1.08~φ1.9	PRE-TIN COPPER ALLOY 錫めっき済銅合金	1871859-2 △
AWG#28~#22 0.079~0.38mm2	φ1.08~φ1.9	PRE-TIN COPPER ALLOY 錫めっき済銅合金	1871859-1
WIRE RANGE 導体断面積	INSULATION DIA 被覆外径	MATERIAL 材料	PART NO. 型番

THIS DRAWING IS A CONTROLLED DOCUMENT.		DWN J.SATO 21FEB2006	STE TE Connectivity	
DIMENSIONS: 単位: 概 mm		CHK N.YAMASAKI 21FEB2006		
TOLERANCES UNLESS OTHERWISE SPECIFIED: 一般公差		APVD N.YAMASAKI 21FEB2006	NAME 名称	
0 PLC ± 0.3 1 PLC ± 0.2 2 PLC ± 0.15 3 PLC ± 4 PLC ±		PRODUCT SPEC 製品規格 108-78307	GRACE INERTIA CONNECTOR 2.5 REC CONTACT TIN PLATE TYPE M TYPE	
MATERIAL 材料 SEE TABLE		FINISH 仕上	APPLICATION SPEC 取付適用規格 114-5359	RESTRICTED TO
		WEIGHT 0.000000	SIZE A3	CAGE CODE 00779
		CUSTOMER DRAWING	DRAWING NO 番号 C-1871859	SCALE 尺度 10:1
			SHEET 1 OF 1	REV E

单击下面可查看定价，库存，交付和生命周期等信息

[>>TE Connectivity\(泰科\)](#)