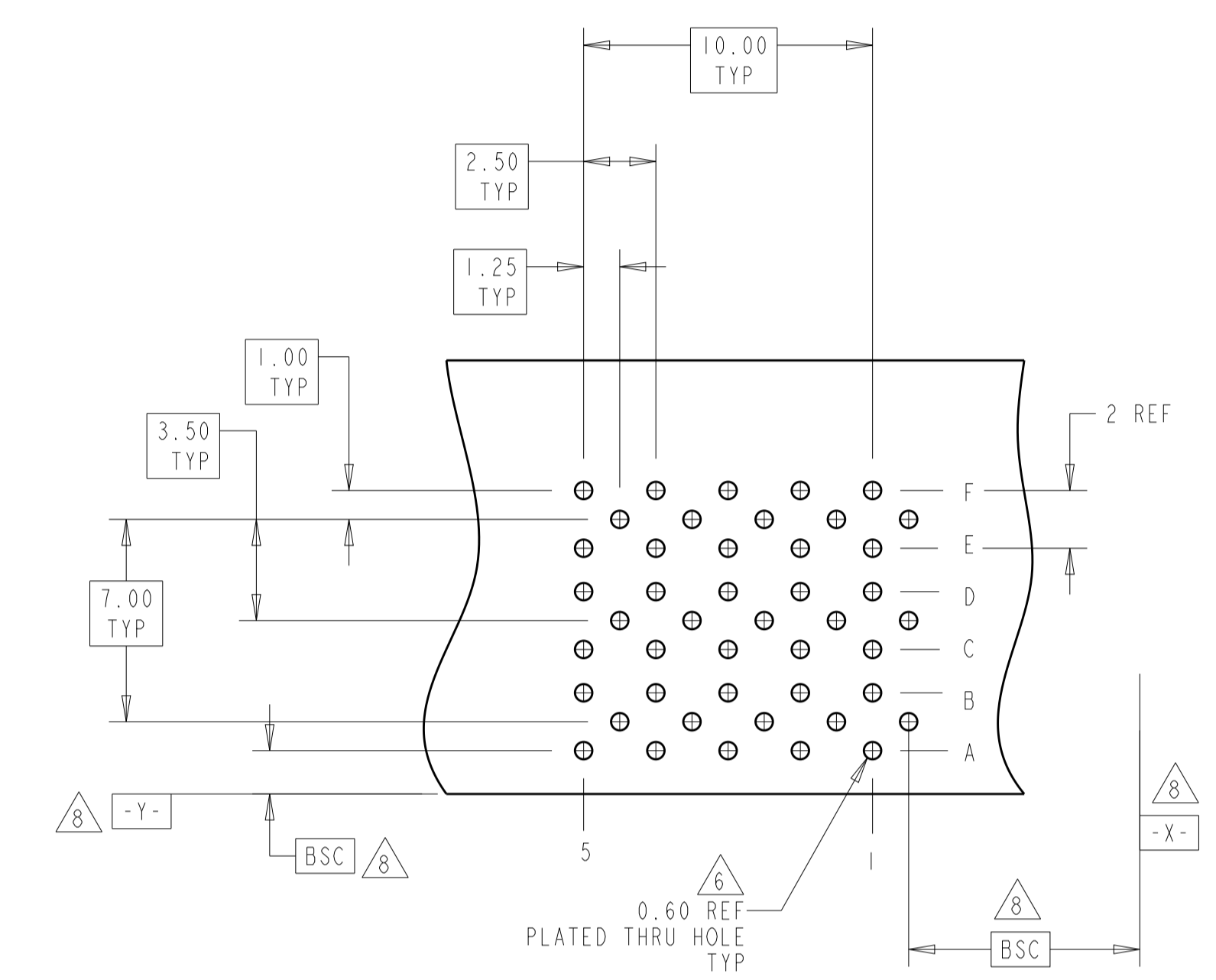
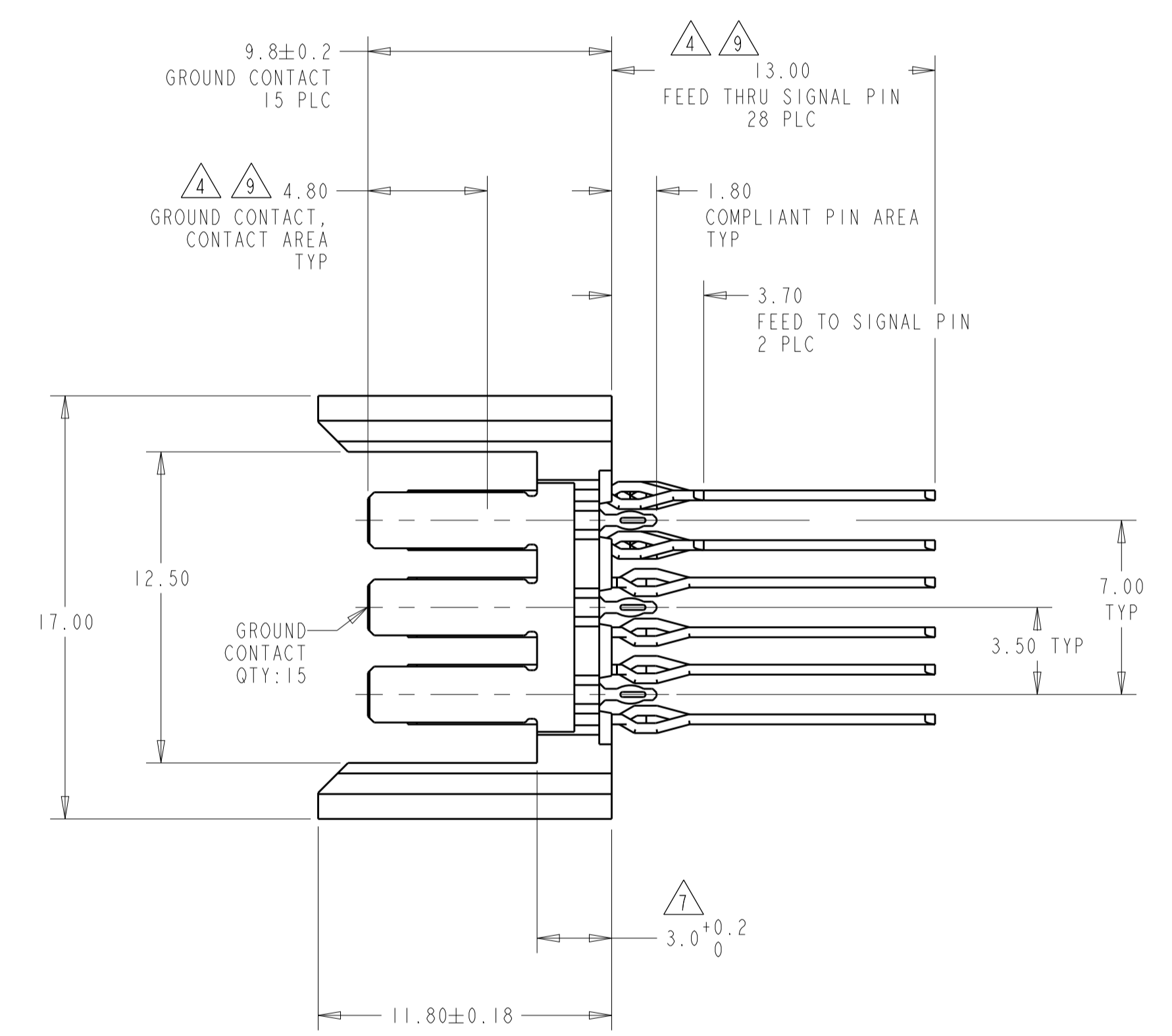
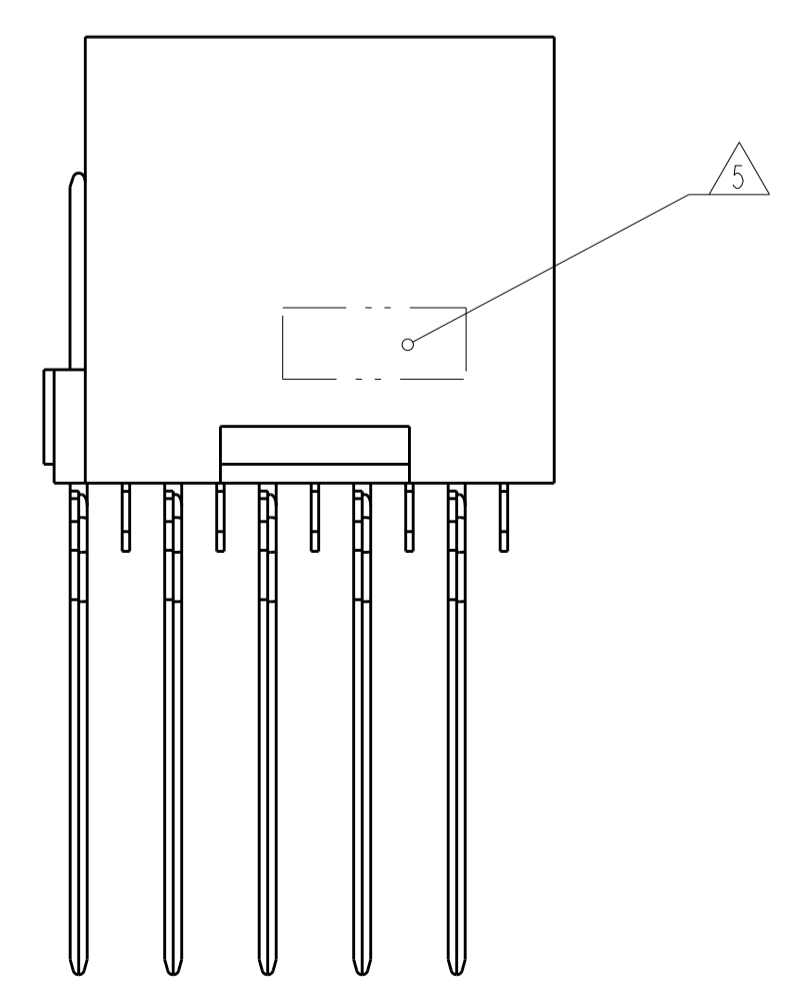
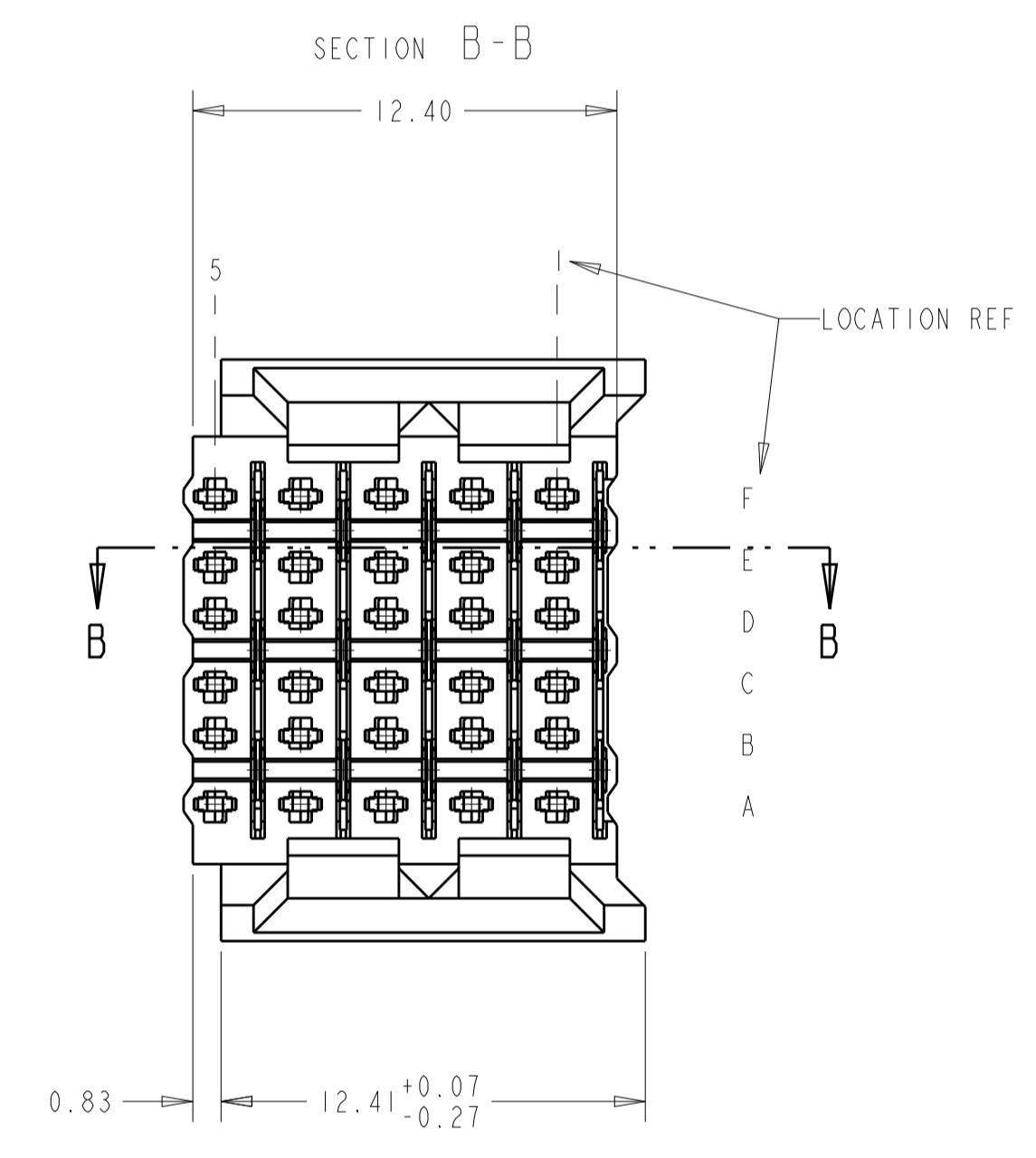
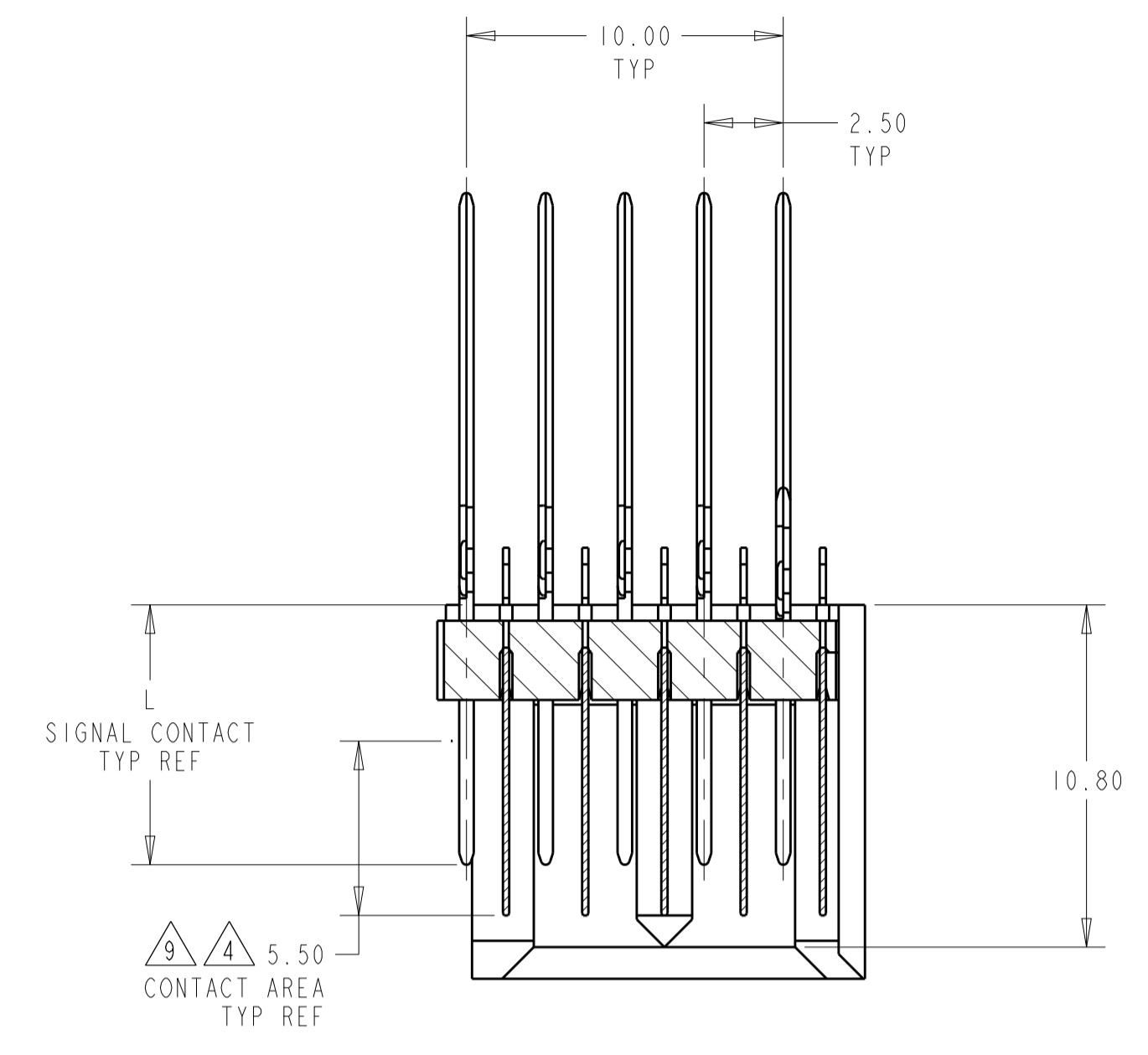
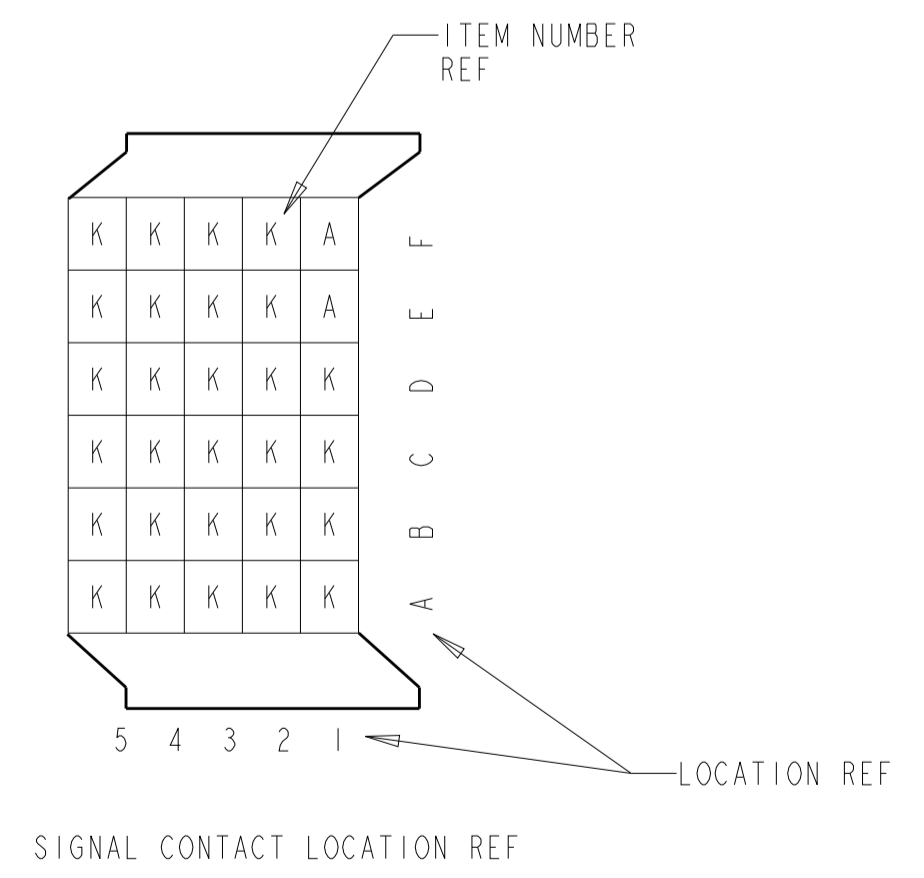


LOC	DIST	REV	DATE	BY	APP'D
AD	00	A	24SEP2012	-	JE

- 2 PHOSPHOR BRONZE
- 3 LCP, UL94V-0
- 4 FINISH:  
CONTACT MATING AREA MEETS THE PERFORMANCE REQUIREMENTS OF  
TE CONNECTIVITY PRODUCT SPECIFICATION 108-1957; BASED ON  
TELCORDIA GR-1217-CORE; APPLICATIONS IN UNCONTROLLED ENVIRONMENTS.  
COMPLIANT PIN AREA: 0.5µm MIN MATTE TIN OVER BASE PLATING.
- 5 CONNECTOR MARKED WITH PART NUMBER AND DATE CODE
- 6 REFERENCE APPLICATION SPEC 114-13020 FOR RECOMMENDED  
PLATED THRU HOLE DIAMETER AND PLATING THICKNESS.
- 7 APPLICATION SEATING HEIGHT TO PRINTED CIRCUIT BOARD
- 8 DATUMS AND BASIC DIMENSIONS ESTABLISHED BY CUSTOMER
- 9 CONTACT AREA LUBRICATED WITH BELLCORE APPROVED LUBRICANT  
TECHNICAL REFERENCE: GR-1217-CORE, ISSUE 1, NOVEMBER 1995



RECOMMENDED  
PRINTED CIRCUIT BOARD  
LAYOUT  
COMPONENT SIDE OF PRINTED CIRCUIT BOARD



5120997-1  
AMP  
PART NUMBER

THIS DRAWING IS A CONTROLLED DOCUMENT.		OWN: R. TREA 20FEB2007	TE Connectivity
DIMENSIONS: mm		CHK: R. PATTERSON	
TOLERANCES UNLESS OTHERWISE SPECIFIED:		APVD: R. PATTERSON 20FEB2007	NAME: HEADER ASSEMBLY, 30 POSITION, FEED THROUGH, 6 ROW, BACKPLANE CONNECTOR, Z-PACK HS3
0 PLC ±		PRODUCT SPEC	
1 PLC ±		APPLICATION SPEC	SIZE: A1 CAGE CODE: 00779 DRAWING NO: 5120997
2 PLC ±0.13		RESTRICTED TO	
3 PLC ±0.05		WEIGHT	SCALE: 5:1 SHEET 1 OF 1 REV A
4 PLC ±		CUSTOMER DRAWING	
ANGLES			
FINISH			
MATERIAL: HOUSING: 3	CONTACTS: 2	SIGNAL CONTACT: 4	

单击下面可查看定价，库存，交付和生命周期等信息

[>>TE Connectivity\(泰科\)](#)