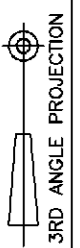
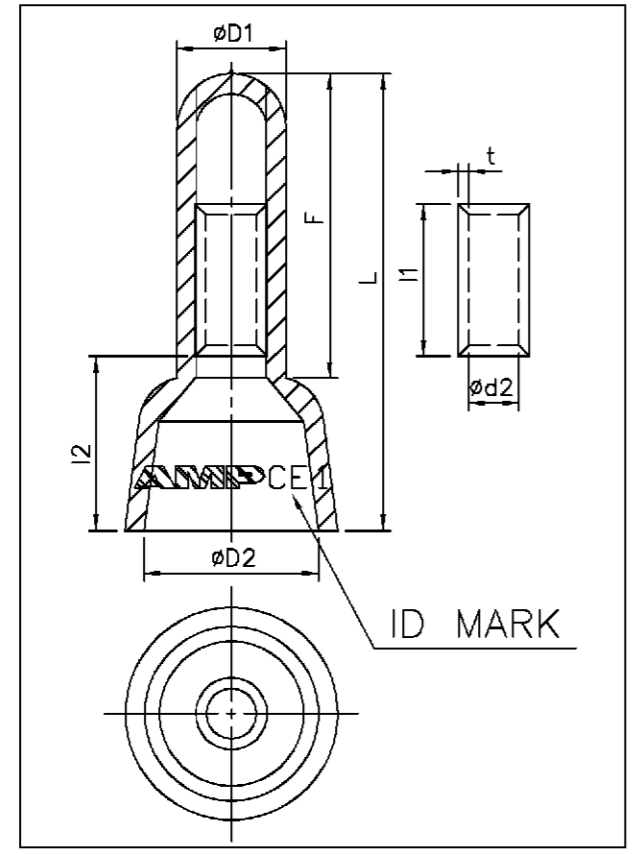


NUMBER C-440386



METRIC

	NAME	AMP P/N	ID MARK	WIRE RANGE	∅D1	F	L	∅D2	I1	t	∅d2	I2	MATERIAL	COLOR	QTY	BOX SIZE
9 OBSOLETE	CE1-94V2	1-440386-1	CE 1	△1.0~1.75mm ² △0.3(AWG#22) △0.5(AWG#20)	4.8 ±0.3	13.5 ±0.5	21.0 ±1.0	8.0 ±0.5	7.0 ±0.5	0.5 ±0.02	2.3 ±0.2	8.5 ±0.5	UL 94V2	NATURAL	1,000	PM2
8 OBSOLETE	CE1-94V0	1-440386-2	CE 1	0.75(AWG#18) 1.25(AWG#16)	4.8 ±0.3	13.5 ±0.5	21.0 ±1.0	8.0 ±0.5	7.0 ±0.5	0.5 ±0.02	2.3 ±0.2	8.5 ±0.5	UL 94V0	WHITE	1,000	PM2
	CE2-94V2	2-440386-1	CE 2	△1.0~3.0mm ² △0.5(AWG#20) 0.75(AWG#18)	5.5 ±0.3	13.5 ±0.5	22.0 ±1.0	8.5 ±0.5	7.0 ±0.5	0.45 ±0.02	3.1 ±0.2	9.5 ±0.5	UL 94V2	NATURAL	1,000	PM2
8 OBSOLETE	CE2-94V0	2-440386-2	CE 2	1.25(AWG#16) 2.0(AWG#14)	5.5 ±0.3	13.5 ±0.5	22.0 ±1.0	8.5 ±0.5	7.0 ±0.5	0.45 ±0.02	3.1 ±0.2	9.5 ±0.5	UL 94V0	WHITE	1,000	PM2
	CE5-94V2	5-440386-1	CE 5	△2.5~6.0mm ² △0.5(AWG#20) 0.75(AWG#18)	7.3 ±0.3	14.5 ±0.5	25.0 ±1.0	10.0 ±0.5	7.5 ±0.5	0.7 ±0.02	4.0 ±0.2	11.5 ±0.5	UL 94V2	NATURAL	500	PM2
	CE5-94V0	5-440386-2	CE 5	1.25(AWG#16) 2.0(AWG#14) 3.5(AWG#12) 5.5(AWG#10)	7.3 ±0.3	14.5 ±0.5	25.0 ±1.0	10.0 ±0.5	7.5 ±0.5	0.7 ±0.02	4.0 ±0.2	11.5 ±0.5	UL 94V0	WHITE	500	PM2
8 OBSOLETE	CE8-94V2	8-440386-1	CE 8	△4.0~9.0mm ² △0.5(AWG#20) 0.75(AWG#18)	9.15 ±0.3	18.0 ±0.5	29.0 ±1.0	12.0 ±0.5	8.5 ±0.5	1.25 ±0.02	4.4 ±0.2	12.0 ±0.5	UL 94V2	NATURAL	250	PM2
	CE8-94V0	8-440386-2	CE 8	1.25(AWG#16) 2.0(AWG#14) 3.5(AWG#12) 5.5(AWG#10)	9.15 ±0.3	18.0 ±0.5	29.0 ±1.0	12.0 ±0.5	8.5 ±0.5	1.25 ±0.02	4.4 ±0.2	12.0 ±0.5	UL 94V0	WHITE	250	PM2



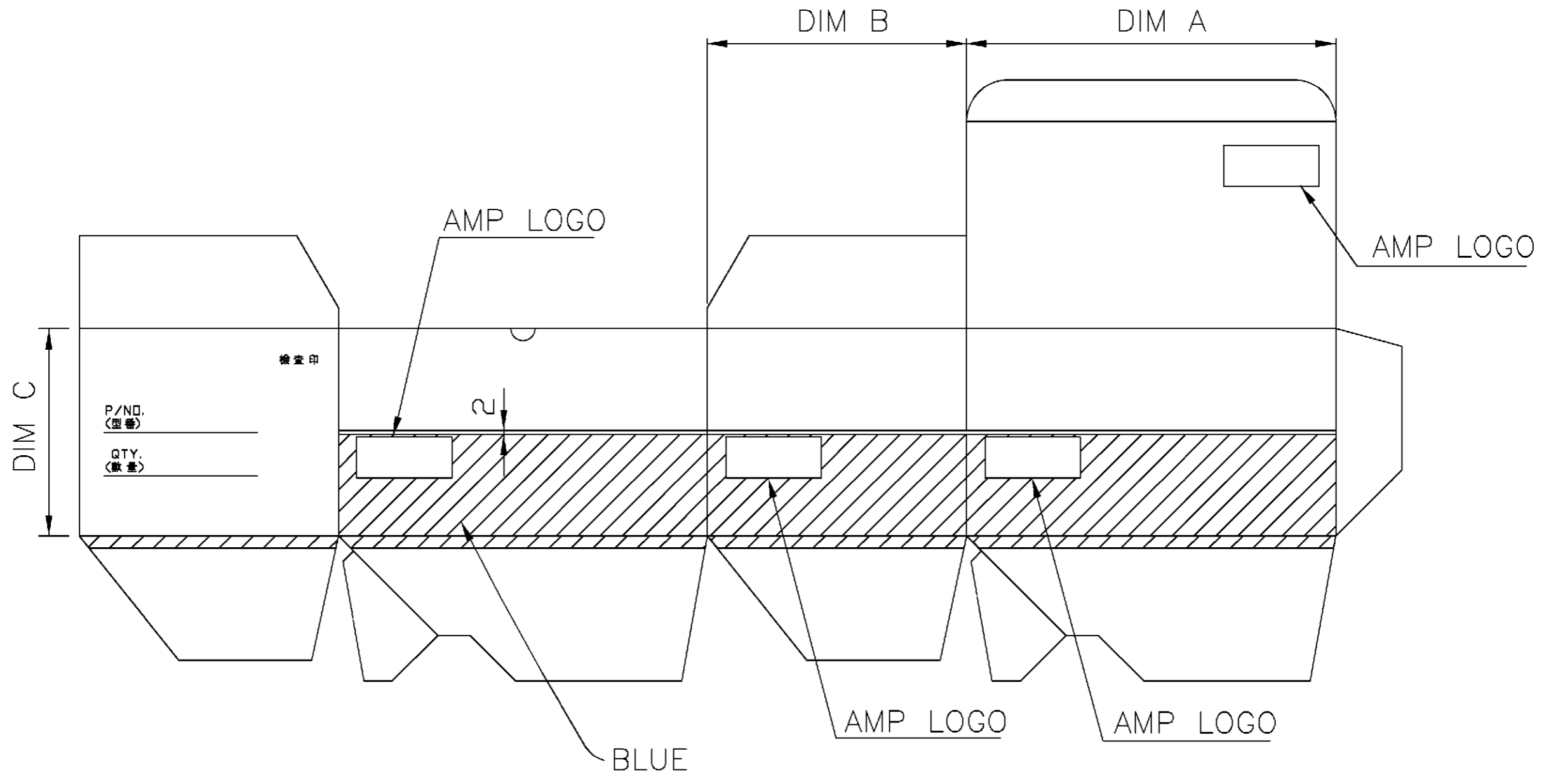
- NOTE :
- 1.TERMINAL : NYLON INSULATED WITH TUBULAR
 - 2.BASIC TERMINALS MATERIAL : FINE GRADE HIGH CONDUCTIVITY COPPER PER JIS H3300
 - 3.INSULATION MATERIAL : NYLON (SEE TABLE).
 - 4.MAXIMUM TEMPERATURE : -40°Cto105° C
 - 5.PLATING : TIN PLATED [2.5um MIN]
 - △6 CROSS SECTIONAL AREA (TOTAL)
 - △0.3mm²~0.5mm² WILL BE CRIMPED WITH DOUBLE WIRE SIZE. (0.3X2, 0.5X2)
 - △8 OBSOLETE PARTS: OBSOLETE CIS STREAMLINING PER D.RENAUD/D.SINISI
 - △9 OBSOLETE

DIMENSION :	DR.	O. HU	TE Connectivity
	0 PLC ±0.5	20-JUN-2001	
1 PLC ±0.25	CHK.	J. CHENG	NAME
2 PLC ±0.12		20-JUN-2001	
3 PLC ±0.08	MATERIAL	J. WU	CLOSED END SPLICE TERMINAL
ANGLES ±3°		20-JUN-2001	
SEE NOTE	FINISH		LOC SIZE DRAWING NO REV DW A3 C-440386 E
	APPLICATION SPEC	114-57007	
	WEIGHT		SCALE
			SHEET 1 OF 2

E	REVISED PER ECR-15-013225	KK	E.T	08SEP15
D1	REVISED PER ECO-09-026346	KK	AEG	26NOV 09
D	REVISED	FZ00-0011-01	OH	JC 20JUN 2001
C	REVISED	FW00-0023-01	OH	JC 06MAR 2001
LTR	REVISION RECORD	ECN	DR	CHK DATE

THIS INFORMATION IS CONFIDENTIAL AND IS DISCLOSED TO YOU ON CONDITION THAT NO FURTHER DISCLOSURE IS MADE BY YOU TO OTHER THAN AMP PERSONNEL WITHOUT WRITTEN AUTHORIZATION FROM AMP (TAIWAN) LTD. DIMENSION IN MILLIMETERS. DO NOT SCALE PRINT.

PRINT DW



BOX SIZE	INNER	DIM A	DIM B	DIM C
PM1	PS1*10	160	115	48
PM2	PS2*10	160	115	96
	PS3*5			

DIMENSION : 0 PLC ±0.5 1 PLC ±0.25 2 PLC ±0.12 3 PLC ±0.08 ANGLES ±3°	DR. O. HU 20-JUN-2001	
	CHK. J. CHENG 20-JUN-2001	
MATERIAL SEE NOTE	APP. J. WU 20-JUN-2001	CLOSED END SPLICE TERMINAL
FINISH SEE NOTE	PRODUCT SPEC	LOC DW A ₃
	APPLICATION SPEC	DRAWING NO C-440386
	WEIGHT	REV E
		SCALE --
		SHEET 2 OF 2

SEE SHEET 1	ECN	DR. CHK	DATE
LTR	REVISION RECORD		

单击下面可查看定价，库存，交付和生命周期等信息

[>>TE Connectivity\(泰科\)](#)