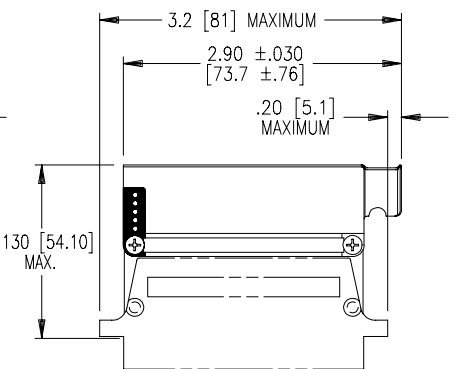
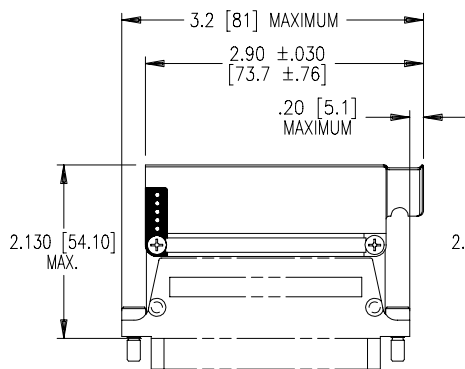
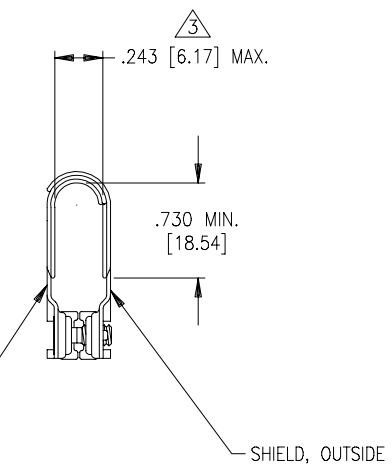
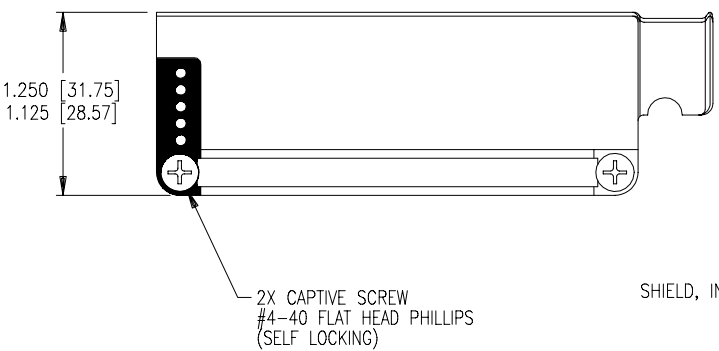
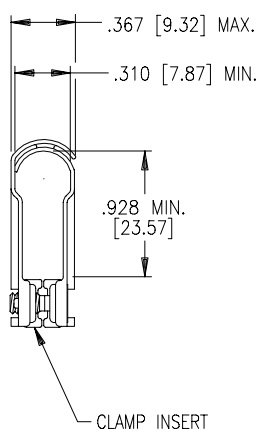


NOTES:

1. MATERIAL:
  - A) SHIELD: PHOSPHOR BRONZE PER QQ-B-750.
  - B) CAPTIVE SCREW: STAINLESS STEEL PER QQ-S-763, 300 SERIES.
  - C) CLAMP INSERT: FLUOROSILICONE ELASTOMER PER MIL-R-25988.
2. FINISH: SEE TABULATION.
3. WHEN SCREWS ARE TIGHTENED TO ACHIEVE 0.1 INCH SPACING BETWEEN SHELL HALVES (EAR THICKNESS) THIS DIMENSION SHALL BE 0.225 MIN.
4. APPLICABLE RAYCHEM PART NUMBER IS MARKED ON BACKSHELL PACKAGE.
5. THIS BACKSHELL IS FOR USE WITH RAYCHEM MTC SERIES CONNECTORS: 2 INCH PLUG OR 2 INCH RECEPTACLE AS SHOWN.

REVISIONS			
LTR	DESCRIPTION	DATE	APPROVED
B	REVISED PER ECN T-08777	10-23-87	J.B.
C	REDRAWN PER DCR# T-29122	4/16/2001	M.HIGGY

If this document is printed it becomes uncontrolled.  
Check with the web for latest revision.



(2 INCH PLUG ASSEMBLY INSTALLATION DATA)

(2 INCH RECEPTACLE ASSEMBLY INSTALLATION DATA)

PART NUMBER	DESCRIPTION	FINISH	
		SHIELD	CAPTIVE SCREW
CHA-0071	AS SHOWN HEREON	1. SHADED AREA IS TIN PLATED PER MIL-T-10727 OVER NICKEL PER MIL-C-26074 2. UNSHADAD AREA IS DULL BLACK PAINT OVER NICKEL PER MIL-C-26074	PASSIVATE PER QQ-P-35
CHA-0071-003	AS SHOWN HEREON EXCEPT CAPTIVE SCREW IS CADMIUM PLATED		CADMIUM PLATED PER QQ-P-416
CHA-0071-301	AS SHOWN HEREON EXCEPT BODY IS TIN PLATED AND CAPTIVE SCREW IS CADMIUM PLATED	ENTIRE SHIELD IS TIN PLATED PER MIL-T-10727 OVER NICKEL PER MIL-C-26074	CADMIUM PLATED PER QQ-P-416

SPECIFICATION CONTROL DRAWING

UNLESS OTHERWISE SPECIFIED DIMENSIONS ARE IN INCHES. METRIC DIMENSIONS ARE IN BRACKETS.	DRAWN	ZS.ORBAN 4/11/2001	WIRE AND HARNESSING PRODUCTS 307 CONSTITUTION DRIVE MENLO PARK, CALIFORNIA 94025
	CHECKED		
	APPROVED	M.HIGGY 4/16/2001	
	APPROVED		
DECIMALS	.XXX ±     mm .XX ±     mm ANGLES .X ±	CAD NAME	T29122.DWG
WEIGHT:		THIRD ANGLE PROJECTION	
[33 Grams] MAXIMUM.			
TITLE		RIGHT ANGLE BREAKOUT BACKSHELL ASSY. (2.9 LONG X 1.2 HIGH) 2 INCH MTC	
SIZE	CODE IDENT. NO.	DWG. NO.	REV
C	06090	CHA-0071-XXX	C
DO NOT SCALE THIS DRAWING			SHEET 1 OF 1

单击下面可查看定价，库存，交付和生命周期等信息

[>>TE Connectivity\(泰科\)](#)