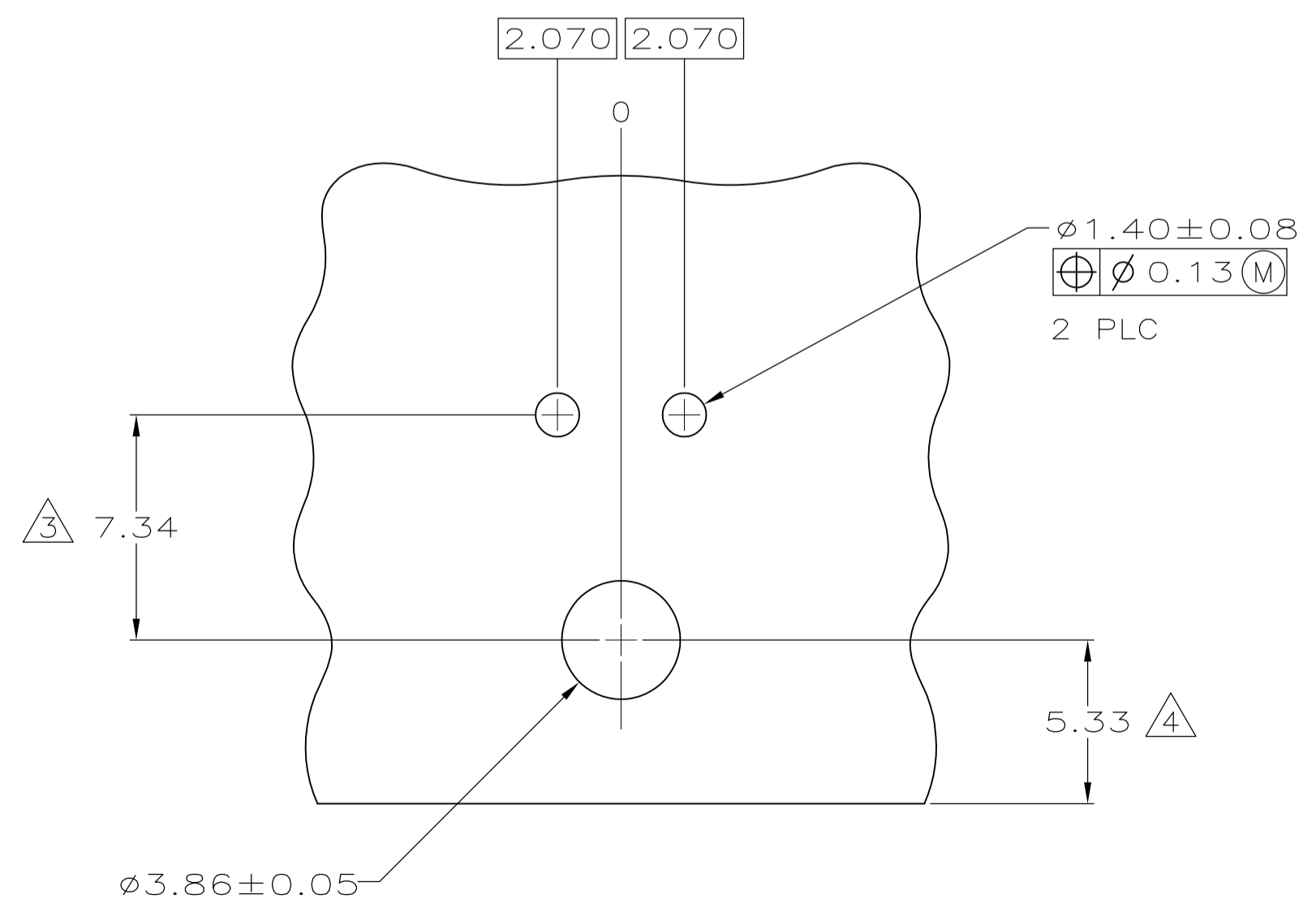
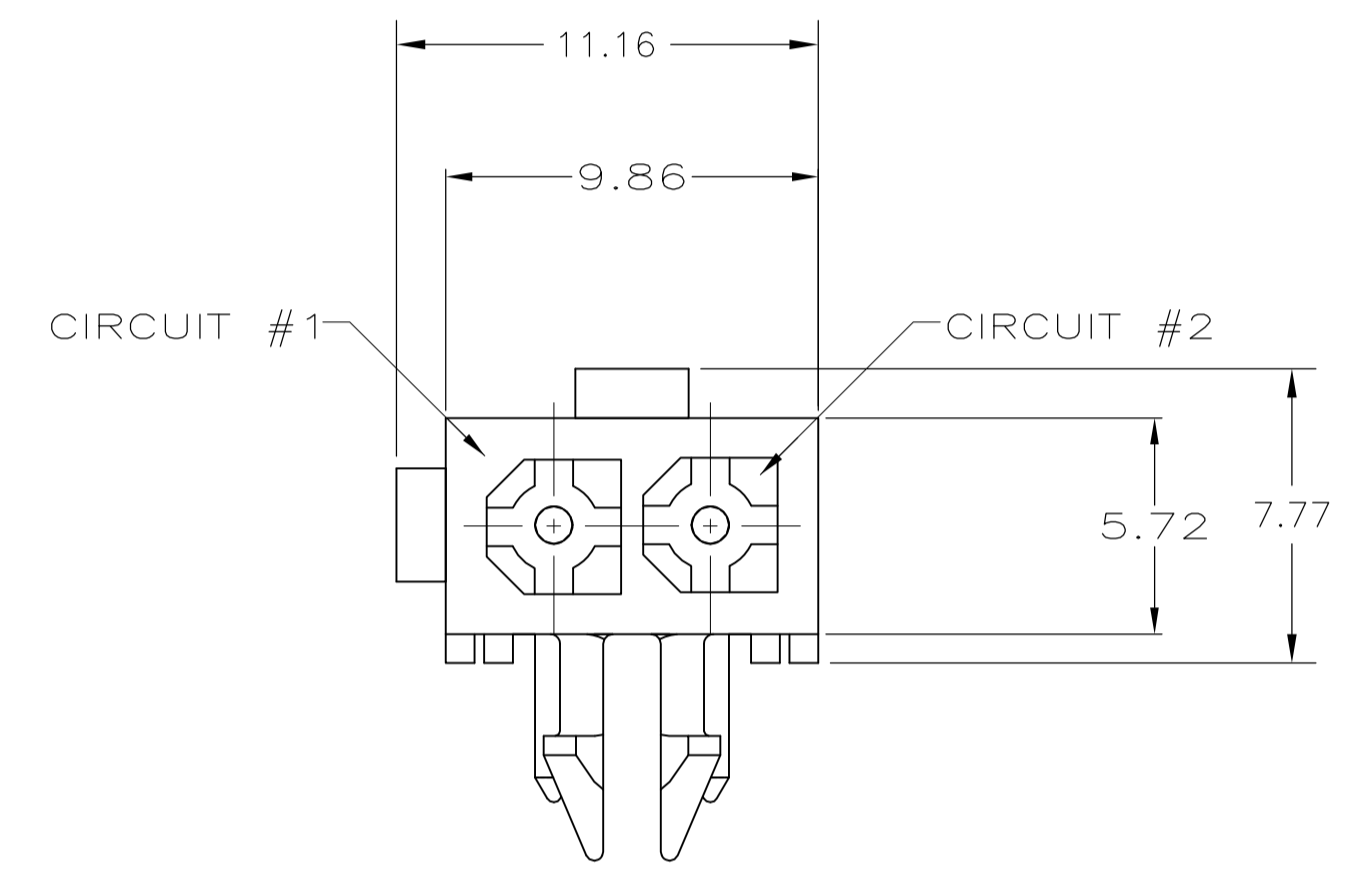
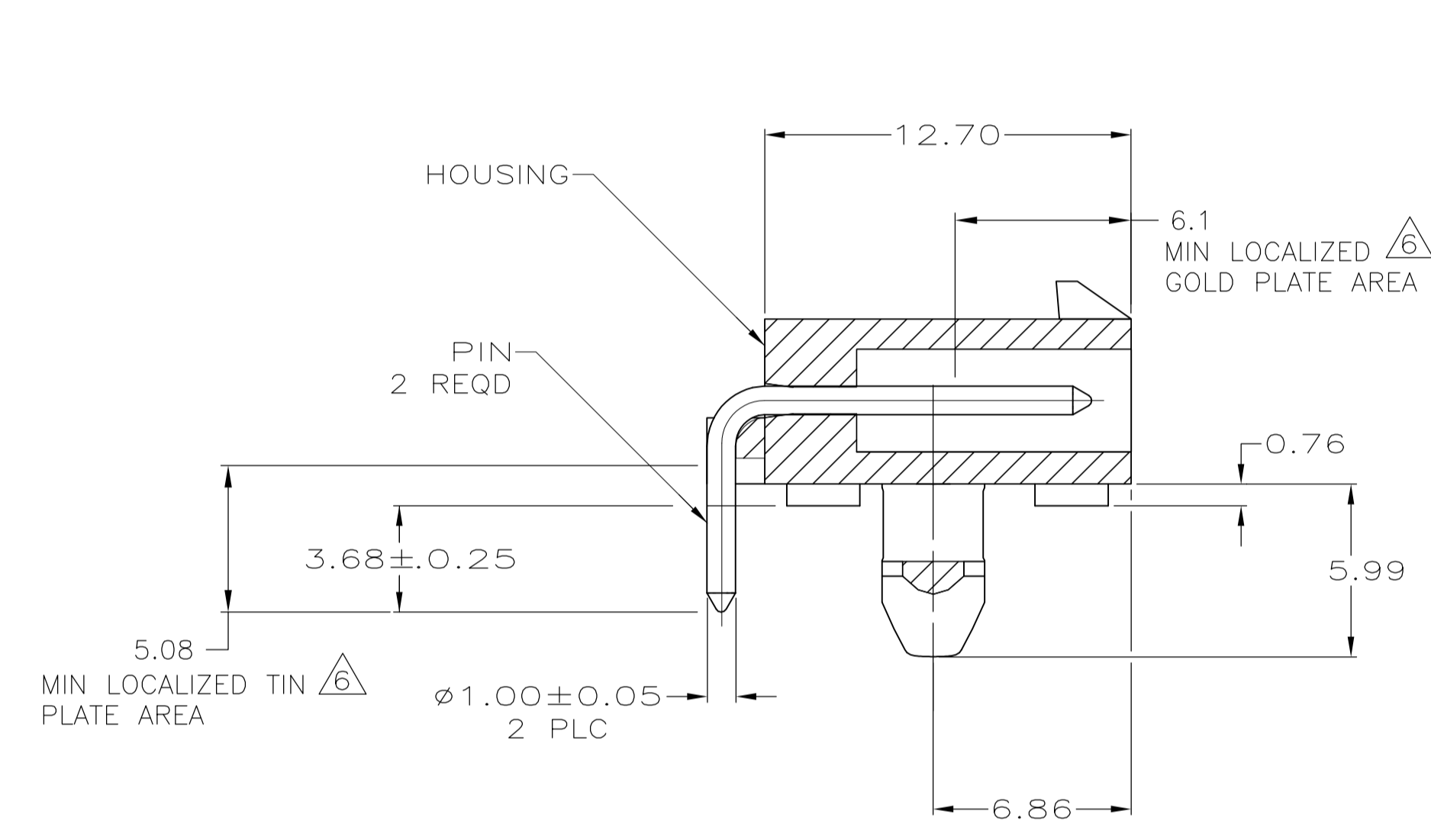


LOC		DIST		REVISIONS			
P	LTR	DESCRIPTION	DATE	DMN	APVD		
C1		REVISED PER ECR-18-005392	26NOV2018	BDA	SH		



MM	IN	MM	IN
2.070	.0815	-	-
1.57	.062	12.70	.500
1.40	.055	9.86	.388
1.00	.039	7.34	.289
0.76	.030	6.86	.270
0.25	.010	6.10	.240
0.13	.005	5.99	.236
0.08	.003	5.72	.225
0.05	.002	5.33	.210
0.0038	0.000150	5.08	.200
0.00127	0.000050	3.86	.152
0.00076	0.000030	3.68	.145
MM	IN	MM	IN

CONVERSION TABLE

RECOMMENDED MOUNTING HOLE PATTERN FOR 1.57 THICK P.C. BOARD

- PINS TO COMPLY WITH AMP SOLDERABILITY SPEC 109-11-3.
- MATES WITH PLUG P/N 1586615-1.
- COORDINATE DIMENSION APPLIES FROM CENTER OF ACTUAL FEATURE.
- RECOMMENDED FOR EDGE MOUNTING.
- 0.00381 MIN MATTE TIN OVER 0.00127 MIN NICKEL ENTIRE LENGTH OF PIN.
- 0.00076 MIN GOLD PLATE IN THE LOCALIZED GOLD PLATE AREA 0.00381 MIN MATTE TIN IN THE LOCALIZED TIN PLATE AREA, BOTH OVER 0.00127 MIN NICKEL.

OBsolete	MATERIAL	FINISH	MATERIAL	COLOR	PART NO.
	BRASS	6	NYLON, UL94V-0	WHITE	1586608-2
	BRASS	5	NYLON, UL94V-0	WHITE	1586608-1
	PIN		HOUSING		

THIS DRAWING IS A CONTROLLED DOCUMENT.

DIMENSIONS: mm	TOLERANCES UNLESS OTHERWISE SPECIFIED:	DIN K. WHITAKER 08APR2005	CHK C. JONES 08APR2005	NAME
0 PLC ±	1 PLC ±	2 PLC ±	3 PLC ± 0.13	4 PLC ±
ANGLES ±				
MATERIAL SEE TABLE	FINISH SEE TABLE	WEIGHT	SIZE A1	CAGE CODE 00779
CUSTOMER DRAWING		SCALE 5:1	SHEET 1 OF 1	REV C1

STE TE Connectivity

HEADER ASSEMBLY, RIGHT ANGLE, WITH SHORT PEG, 2 CIRCUIT, SPECIAL KEYING, MINI UNIVERSAL MATE-N-LOK(TM)

1586608

单击下面可查看定价，库存，交付和生命周期等信息

[>>TE Connectivity\(泰科\)](#)