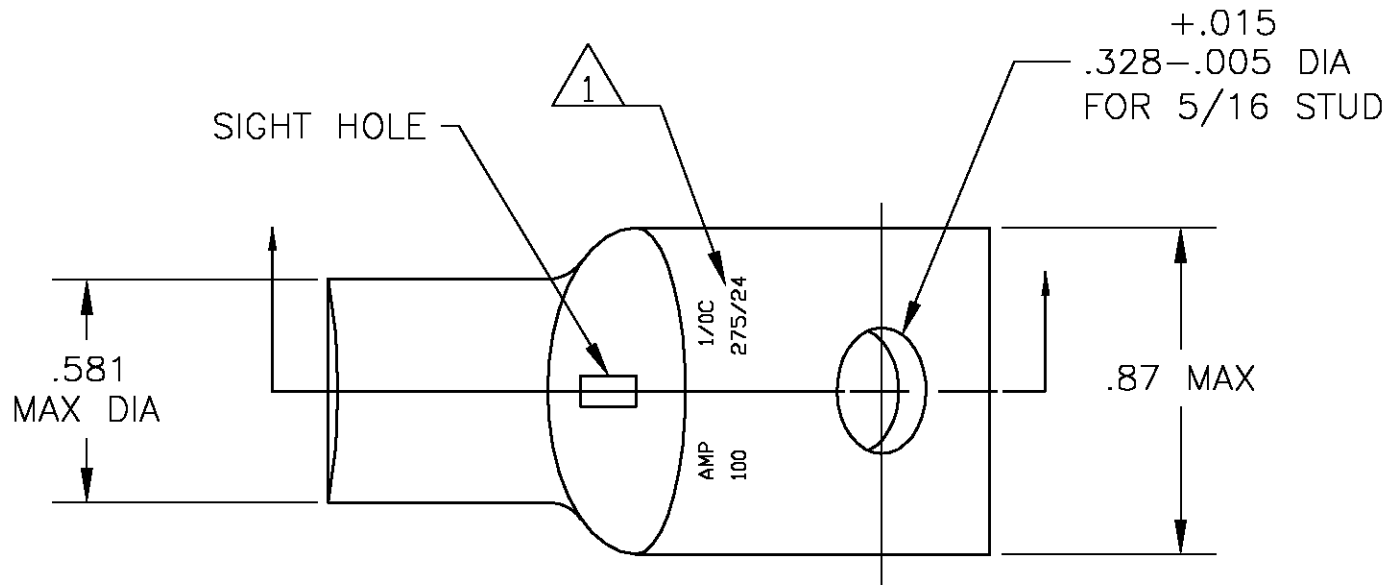
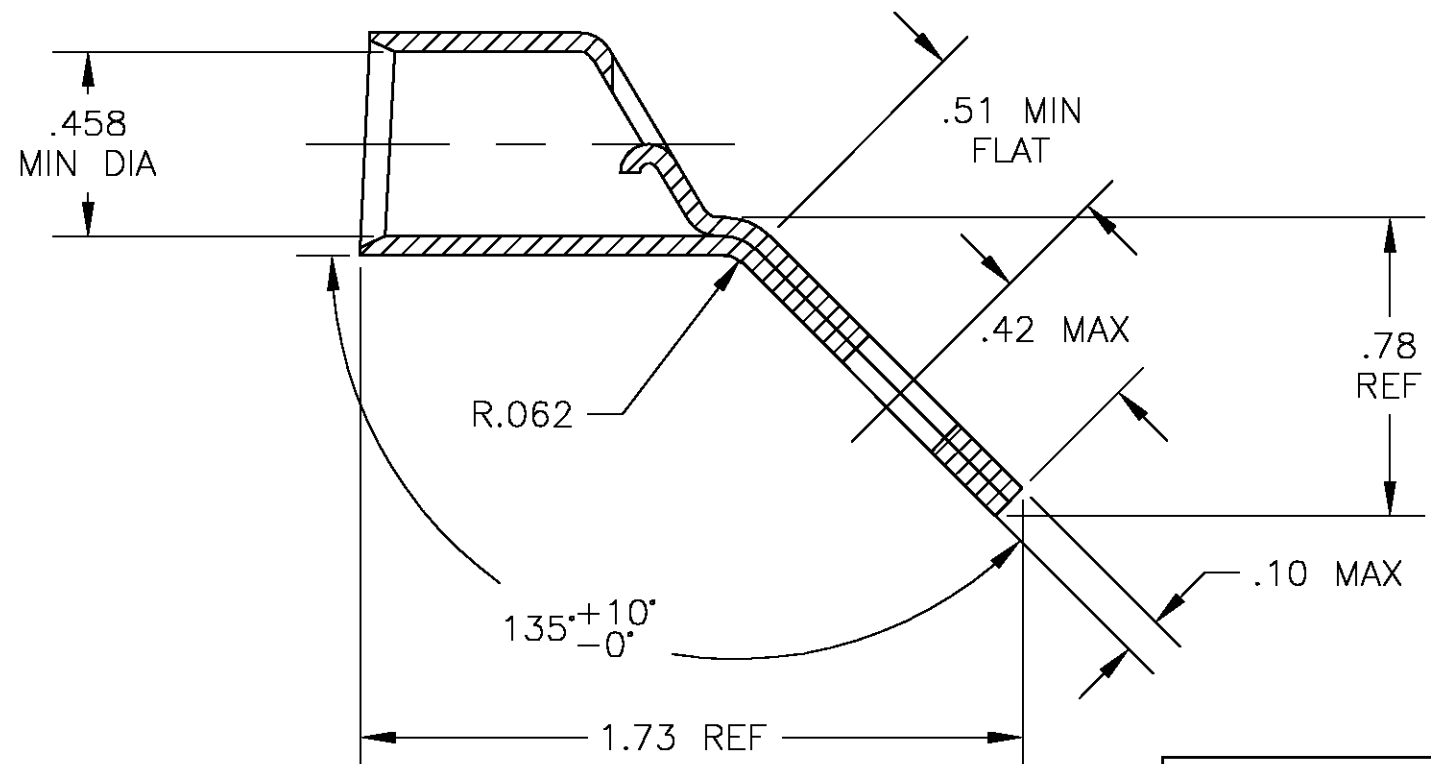


THIS DRAWING IS UNPUBLISHED. RELEASED FOR PUBLICATION
 © COPYRIGHT BY TYCO ELECTRONICS CORPORATION. ALL RIGHTS RESERVED.

LOC	DIST	REVISIONS					
		P	LTR	DESCRIPTION	DATE	DWN	APVD
G	86		A	REL PER ECR 05-004064	06JUN05	JR	MS



- 1 STAMP " AMP 1/0C 100 275/24" APPROX AS SHOWN.
- 2 MATERIAL: COPPER PER ASTM B-75, ANNEALED
- 3 FINISH: TIN PLATE .000150 MIN THK PER ASTM B-545
- 4 PREPRODUCTION - FASR REQ



696762-1
PART NO.

AMP INCORPORATED CUSTOMER SERVICE SYSTEMS		MAX RECOMMENDED OPERATING TEMPERATURE: 170°C MAX
FOR ADDITIONAL PRODUCT INFORMATION OR COPIES OF DRAWINGS AND TECHNICAL DOCUMENTS	PRODUCT INFORMATION CENTER 1-800-522-6752	VOLTAGE RATING: N/A
FOR APPLICATION TOOLING INFORMATION	TOOLING ASSISTANCE CENTER 1-800-722-1111	CIRCULAR MIL AREA: 42.41-60.55mm ² [B3,700-119,500] STRANDED
FOR ORDER ENTRY	1-800-526-5142	THIS DRAWING IS A CONTROLLED DOCUMENT FOR AMP INCORPORATED. IT IS SUBJECT TO CHANGE AND THE CONTROLLING ENGINEERING ORGANIZATION SHOULD BE CONTACTED FOR THE LATEST REVISION.

THIS DRAWING IS A CONTROLLED DOCUMENT.	
DIMENSIONS: INCHES	TOLERANCES UNLESS OTHERWISE SPECIFIED:
	0 PLC ± -
	1 PLC ± -
	2 PLC ± -
	3 PLC ± .008
	4 PLC ± -
	ANGLES ± -
MATERIAL	FINISH
- 2	- 3

DWN jr_ruth 14FEB05		Tyco Electronics Corporation Harrisburg, Pa 17105-3608		
CHK MJ SPICER 14FEB05		NAME TERMINAL, AMPOWER		
APVD MJ SPICER 14FEB05		SIZE A3	CAGE CODE 00779	DRAWING NO C-696762
PRODUCT SPEC		RESTRICTED TO		
APPLICATION SPEC	SCALE 1:1		SHEET 1 OF 1	
WEIGHT	CUSTOMER DRAWING		REV A	

单击下面可查看定价，库存，交付和生命周期等信息

[>>TE Connectivity\(泰科\)](#)