

4

3

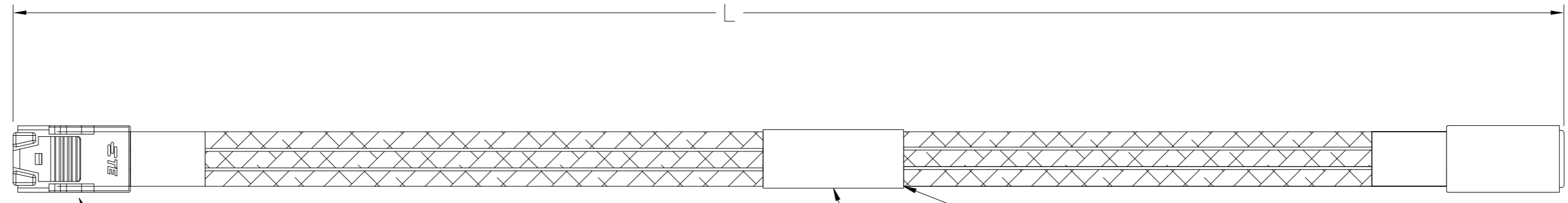
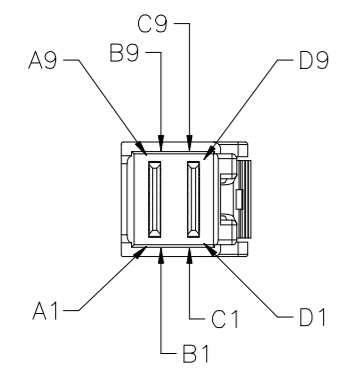
2

1

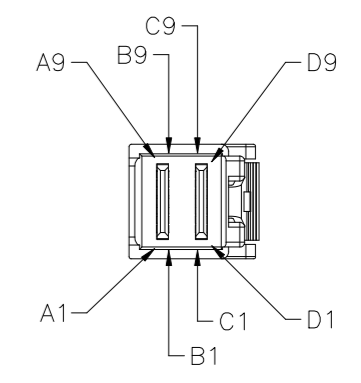
THIS DRAWING IS UNPUBLISHED. RELEASED FOR PUBLICATION. ALL RIGHTS RESERVED.

| REVISIONS | | | | |
|-----------|-----|---------------|-----------|-------|
| P | LTR | DESCRIPTION | DATE | APVD |
| C1 | | ECO-18-018488 | 28SEP2018 | KY DZ |

P1



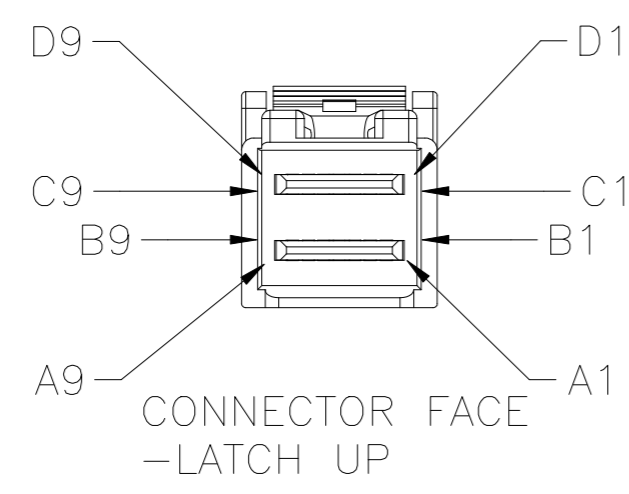
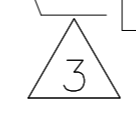
P2



PLUG, MINI-SAS HD

LABEL

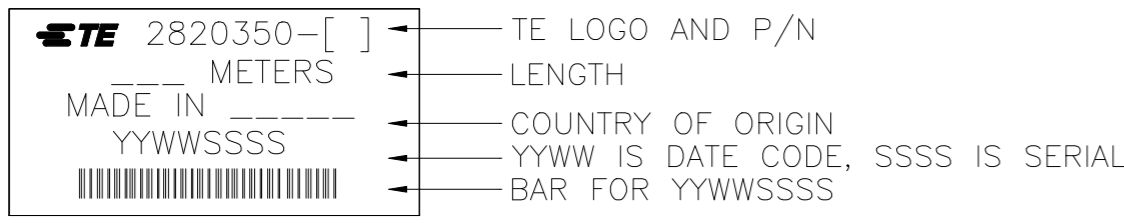
DISCRETE PAIRS AND BRAIDED SLEEVING



CONNECTOR FACE - LATCH UP

- ASSEMBLY TO BE 100% TESTED FOR CONTINUITY, SHORTS, AND OPENS, CABLES ASSEMBLYS ARE ALSO TO BE 100% TESTED FOR SIGNAL INTEGRITY, TO SAS 3.0 REQUIREMENTS.
- ROHS AND REACH COMPLIANCE: PRODUCT AND PROCESSING MEETS REQUIREMENTS OF TE SPECIFICATION TEC-138-702.

3 LABEL CENTERED AND LABEL INFORMATION AS BELOW:



4. SEE SHEET #2 FOR WIRING SCHEMATIC.

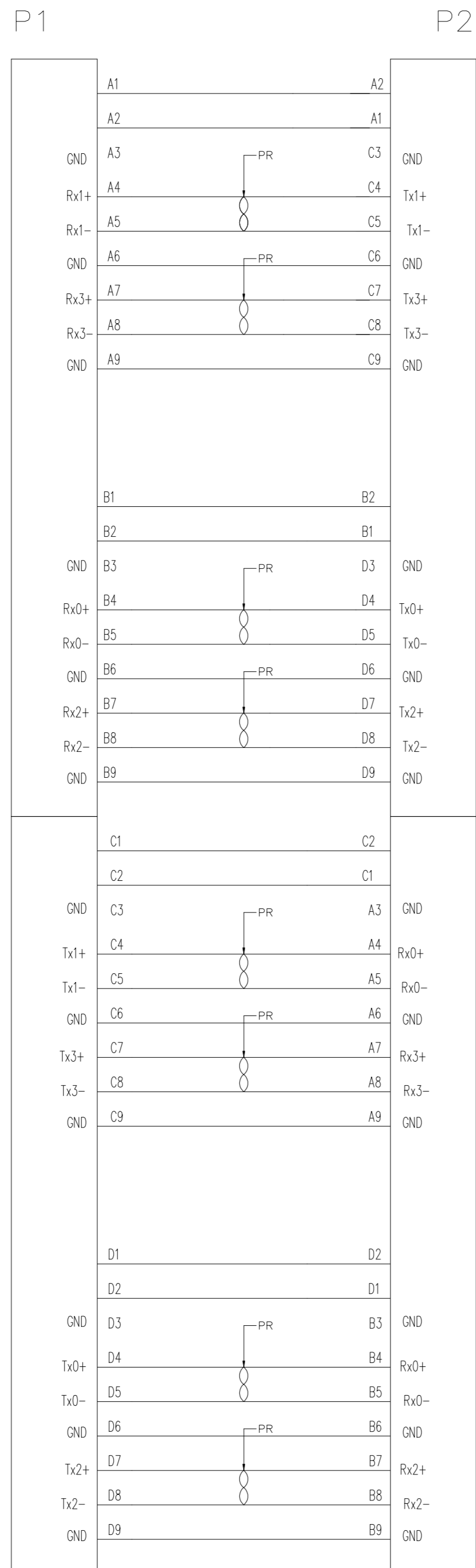
| | | |
|------|-----------|-----------|
| 200 | +25 -0 | 2820350-5 |
| 1000 | +25 -0 | 2820350-4 |
| 700 | +25 -0 | 2820350-3 |
| 500 | +25 -0 | 2820350-2 |
| 300 | +25 -0 | 2820350-1 |
| "L" | [MM] | TE P/N |

| | | | | | | | | | | | | | | | | | | | | | | | | | |
|---|-------------|----------------------------------|---|-------------------------|-------|---|---|-------|---|---|-------|---|---|-------|---|---|--------|---|---|--------|---|---|-------------------|-----------------------|--------------------|
| THIS DRAWING IS A CONTROLLED DOCUMENT. | | DWN M.YI 16/JUN/2014 | TE Connectivity | | | | | | | | | | | | | | | | | | | | | | |
| DIMENSIONS: mm | | CHK G.GUTGOLD 16/JUN/2014 | | | | | | | | | | | | | | | | | | | | | | | |
| TOLERANCES UNLESS OTHERWISE SPECIFIED: | | APVD G.GUTGOLD 16/JUN/2014 | NAME C/A, INTERNAL HD MINI SAS, STR TO STR 100 OHMS, 4X 30 AWG | | | | | | | | | | | | | | | | | | | | | | |
| <table border="0"> <tr><td>0 PLC</td><td>±</td><td>-</td></tr> <tr><td>1 PLC</td><td>±</td><td>-</td></tr> <tr><td>2 PLC</td><td>±</td><td>-</td></tr> <tr><td>3 PLC</td><td>±</td><td>-</td></tr> <tr><td>4 PLC</td><td>±</td><td>-</td></tr> <tr><td>ANGLES</td><td>±</td><td>-</td></tr> <tr><td>FINISH</td><td>-</td><td>-</td></tr> </table> | | 0 PLC | ± | - | 1 PLC | ± | - | 2 PLC | ± | - | 3 PLC | ± | - | 4 PLC | ± | - | ANGLES | ± | - | FINISH | - | - | PRODUCT SPEC - | APPLICATION SPEC - | RESTRICTED TO - |
| 0 PLC | ± | - | | | | | | | | | | | | | | | | | | | | | | | |
| 1 PLC | ± | - | | | | | | | | | | | | | | | | | | | | | | | |
| 2 PLC | ± | - | | | | | | | | | | | | | | | | | | | | | | | |
| 3 PLC | ± | - | | | | | | | | | | | | | | | | | | | | | | | |
| 4 PLC | ± | - | | | | | | | | | | | | | | | | | | | | | | | |
| ANGLES | ± | - | | | | | | | | | | | | | | | | | | | | | | | |
| FINISH | - | - | | | | | | | | | | | | | | | | | | | | | | | |
| MATERIAL - | WEIGHT 0 | SIZE A2 | CAGE CODE 00779 | DRAWING NO C=2820350 | | | | | | | | | | | | | | | | | | | | | |
| CUSTOMER DRAWING | | SCALE N.T.S. | SHEET 1 of 2 | REV C1 | | | | | | | | | | | | | | | | | | | | | |

2820350

THIS DRAWING IS UNPUBLISHED. RELEASED FOR PUBLICATION
 © COPYRIGHT - By - ALL RIGHTS RESERVED.

| REVISIONS | | | | | |
|-----------|-----|-------------|------|-----|------|
| P | LTR | DESCRIPTION | DATE | DWN | APVD |
| - | - | SEE SHEET 1 | - | - | - |



WIRING PATTERN

| | | | | |
|--|--|----------------------------------|---|--------------------|
| THIS DRAWING IS A CONTROLLED DOCUMENT. | | DWN M.YI 16/JUN/2014 | TE Connectivity | |
| DIMENSIONS: mm | | CHK G.GUTGOLD 16/JUN/2014 | | |
| TOLERANCES UNLESS OTHERWISE SPECIFIED: | | APVD G.GUTGOLD 16/JUN/2014 | NAME C/A, INTERNAL HD MINI SAS, STR TO STR 100 OHMS, 4X 30 AWG | |
| | | PRODUCT SPEC | RESTRICTED TO | |
| MATERIAL | | APPLICATION SPEC | SIZE A2 | CAGE CODE 00779 |
| FINISH | | WEIGHT | DRAWING NO C=2820350 | SCALE N.T.S. |
| | | CUSTOMER DRAWING | SHEET 2 of 2 | REV C1 |

2820350

单击下面可查看定价，库存，交付和生命周期等信息

[>>TE Connectivity\(泰科\)](#)