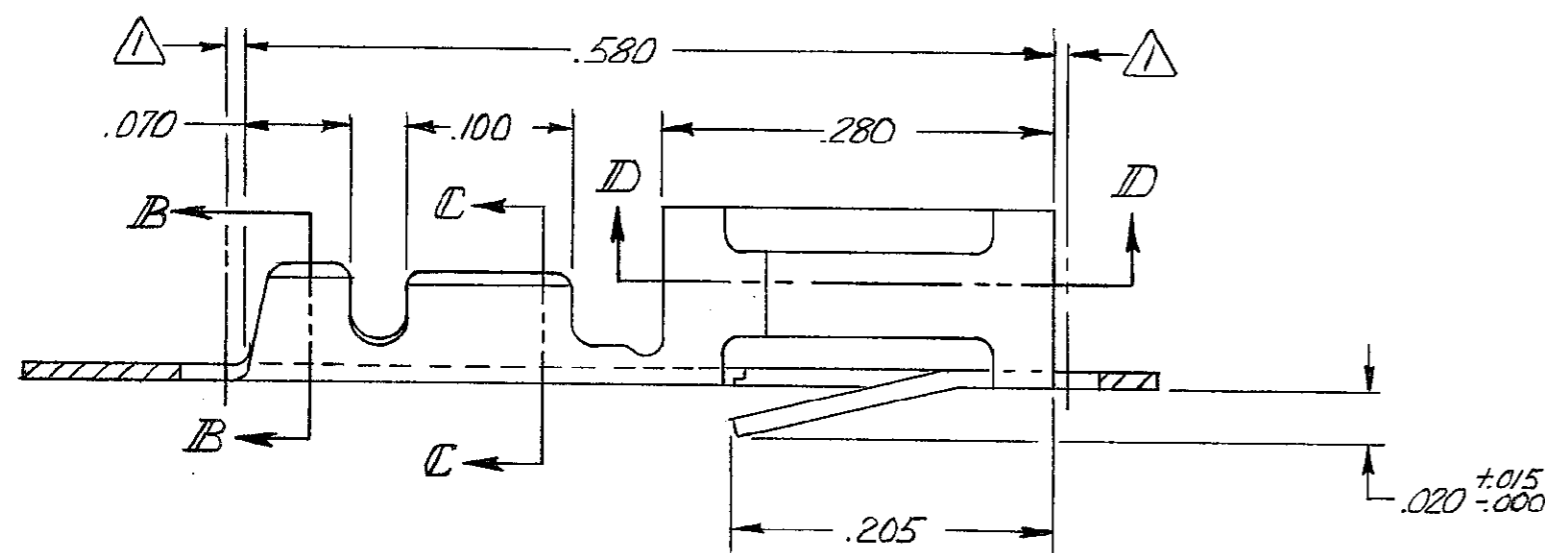
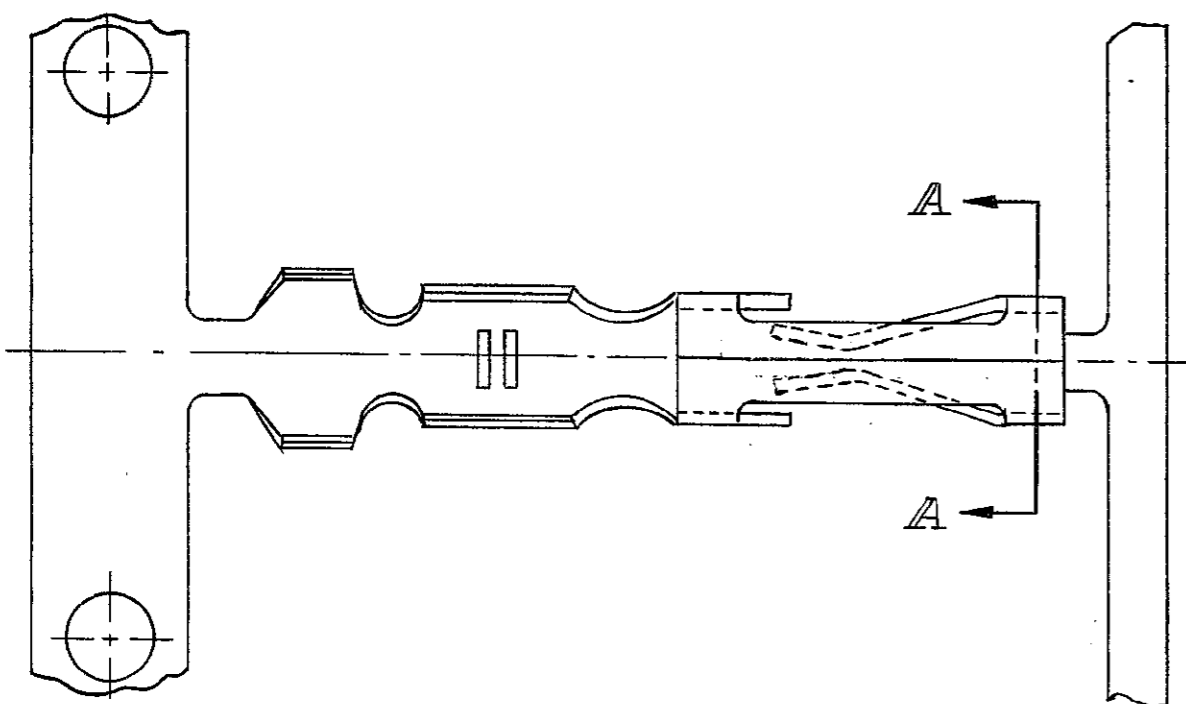
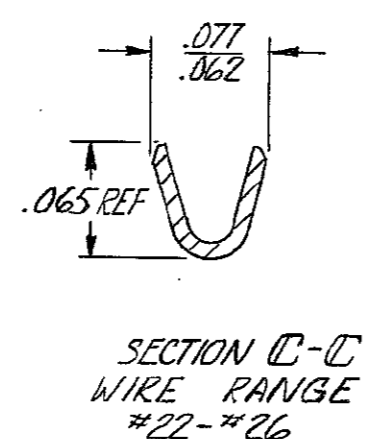
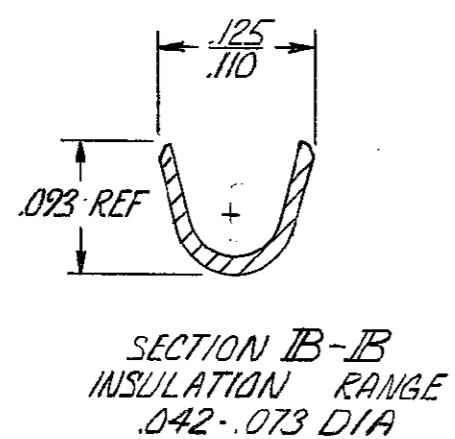
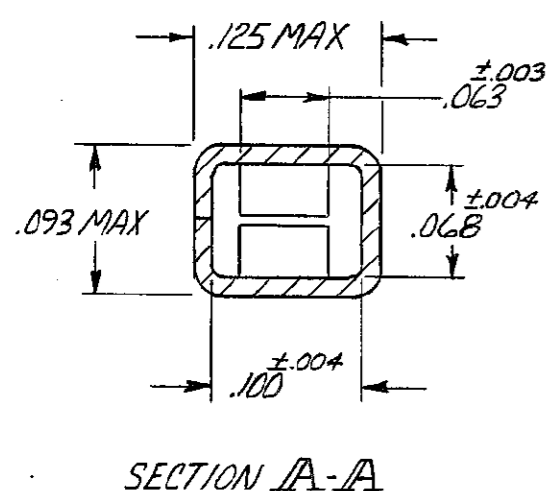
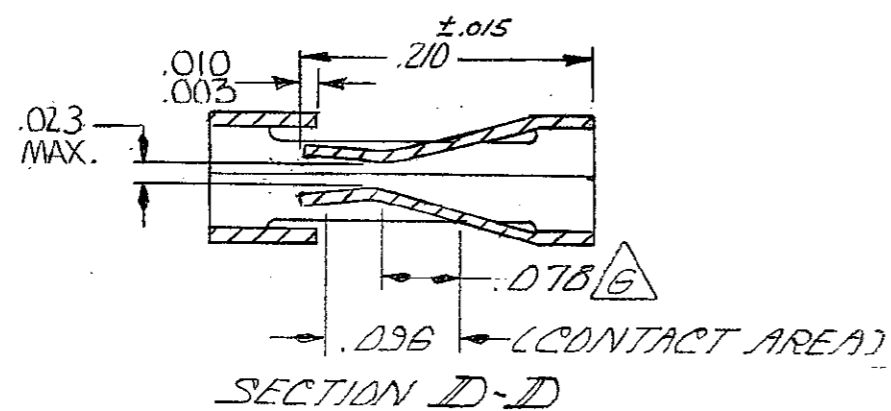
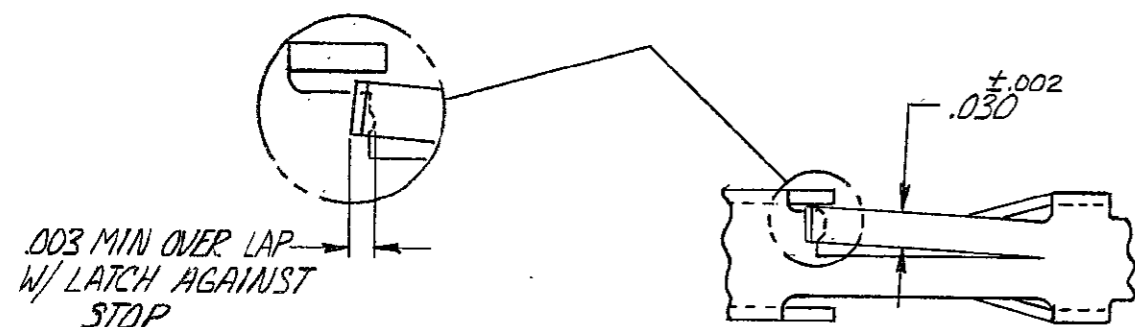


© COPYRIGHT 1978 BY AMP INCORPORATED, HARRISBURG, PA.
 ALL INTERNATIONAL RIGHTS RESERVED. AMP INCORPORATED PRODUCTS
 COVERED BY U. S. AND FOREIGN PATENTS AND/OR PATENTS PENDING.

| REVISIONS | | | | DATE | APPROVED |
|-----------|---|------|-----|----------------------|--------------|
| P | F | ZONE | LTR | | |
| | | H | | REV PER OG3C-0026-05 | 24 JAN 05 DS |



- 1. .010 MAX CUT-OFF TAB FOR LOOSE PIECE.
- 2. GOLD FLASH OVER .000050 NICKEL ENTIRE CONTACT, .000015 GOLD ON CONTACT AREA
- 3. GOLD FLASH OVER .000050 NICKEL ENTIRE CONTACT .000030 GOLD ON CONTACT AREA.
- 4. .000016 MIN. TIN.
- 5. LUBRICATED
- 6. POINT OF MEASUREMENT FOR PLATING THICKNESS.
- 7. .000015 GOLD ON CONTACT AREA, .000050-.000100 BRIGHT TIN-LEAD ON TERMINATION AREA, ALL OVER .000050 NICKEL ENTIRE TERMINAL.
- 8. .000030 GOLD ON CONTACT AREA, .000050-.000100 BRIGHT TIN-LEAD ON TERMINATION AREA, ALL OVER .000050 NICKEL ENTIRE TERMINAL.
- 9. OBSOLETE PART NUMBER.



| FINISH | LOOSE PIECE P/N | PART NO |
|--------|-----------------|----------|
| 8 | 9 102106-5 | 102102-7 |
| 7 | 9 102106-4 | 102102-6 |
| 4 | 5 102106-3 | 102102-5 |
| 3 | 9 102106-2 | 102102-2 |
| 2 | 9 102106-1 | 102102-1 |

| | | | |
|---|-------------------------------------|-------------------------------------|---------------|
| UNLESS OTHERWISE SPECIFIED DIMENSIONS ARE IN INCHES. TOLERANCES ON: DECIMALS ± .005 ANGLES ± | CONTRACT NO | AMP INCORPORATED Harrisburg, Pa. | |
| | DR <i>H. Bedwin</i> 4-12-78 | | |
| MATERIAL PHOS. BRONZE | CHK <i>B. Wolfe</i> 4-27-78 | SIZE | CODE IDENT NO |
| FINISH SEE TABLE | APPR <i>G. Zimmerman</i> 4/28/78 | C | 00779 |
| | APPD <i>Bennett</i> 5/1/78 | DRAWING NO | 102102 |
| | DSGN APPD | SCALE | SHEET |
| | OTHER APPD | | |

单击下面可查看定价，库存，交付和生命周期等信息

[>>TE Connectivity\(泰科\)](#)