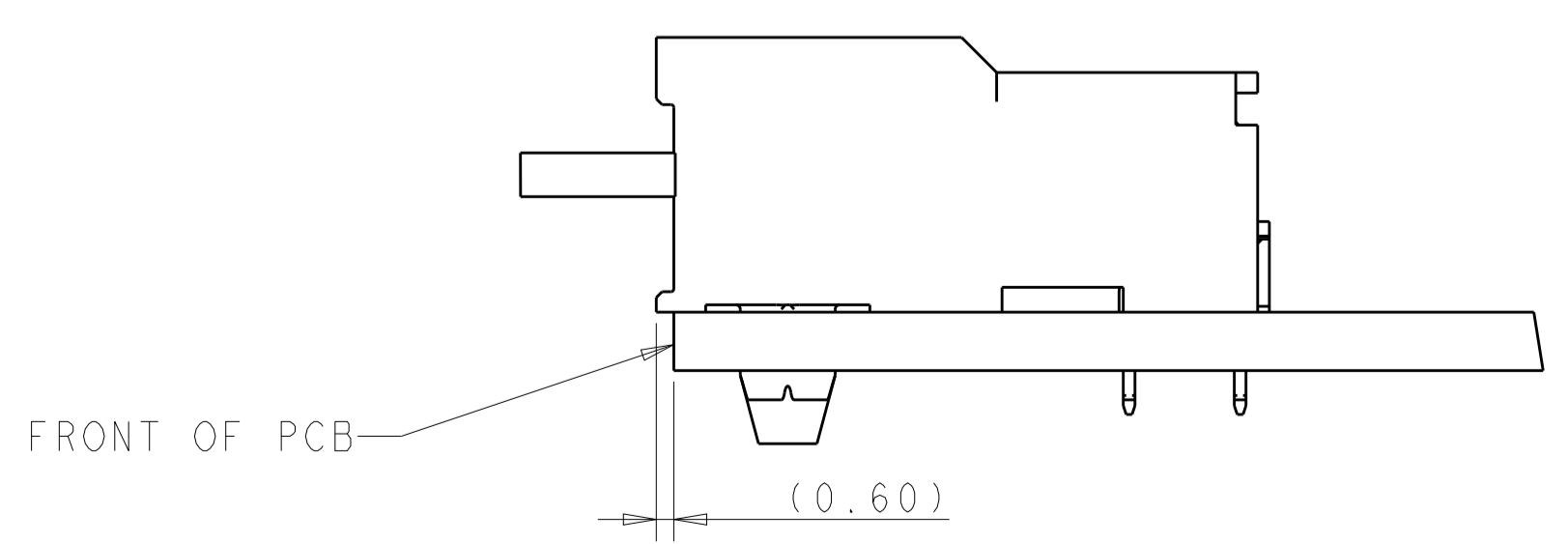
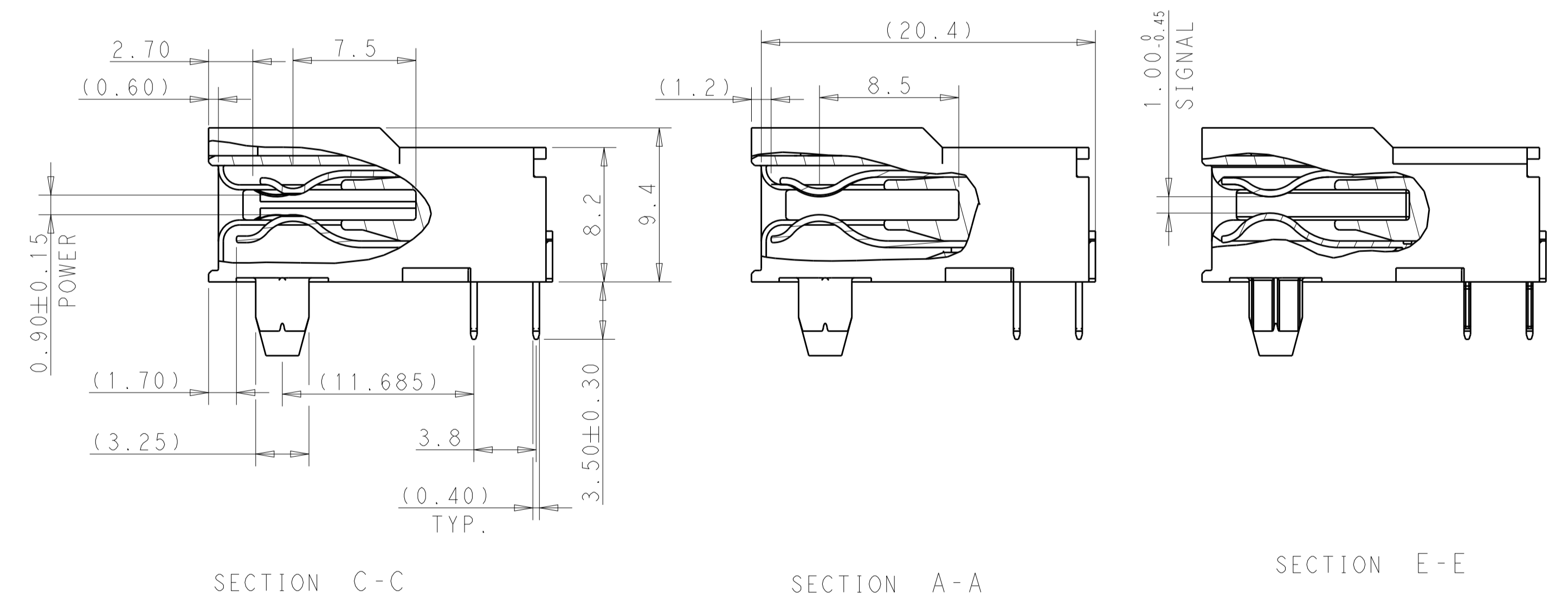
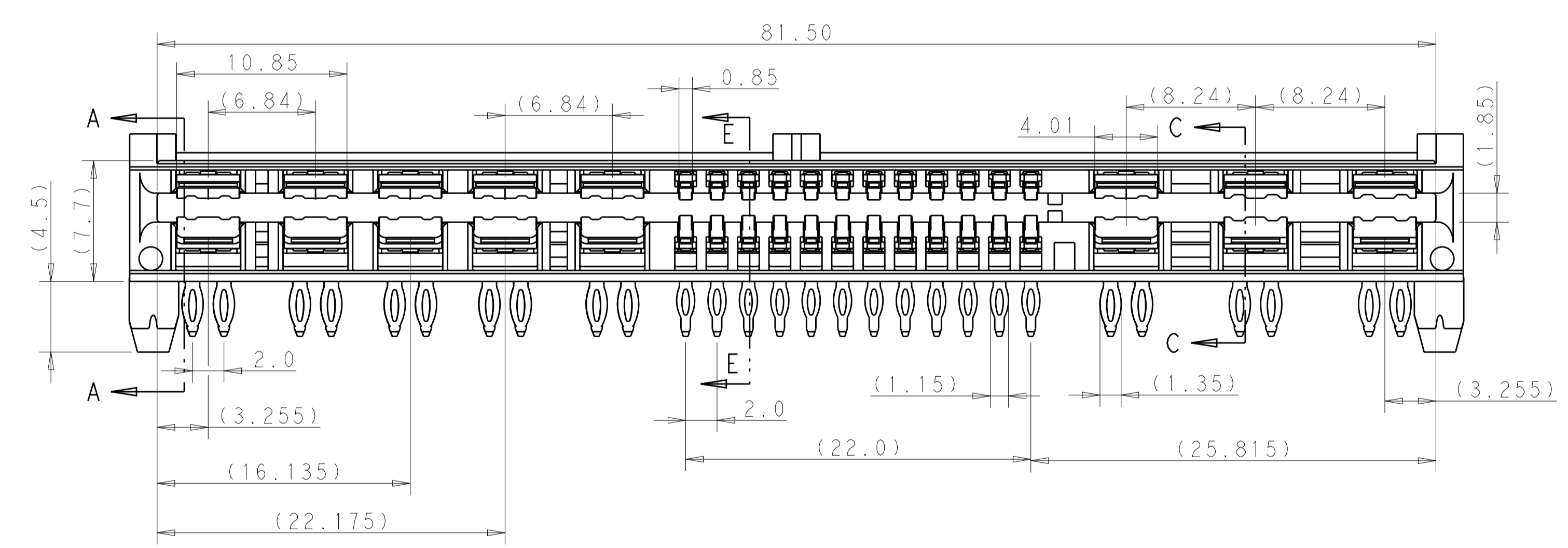
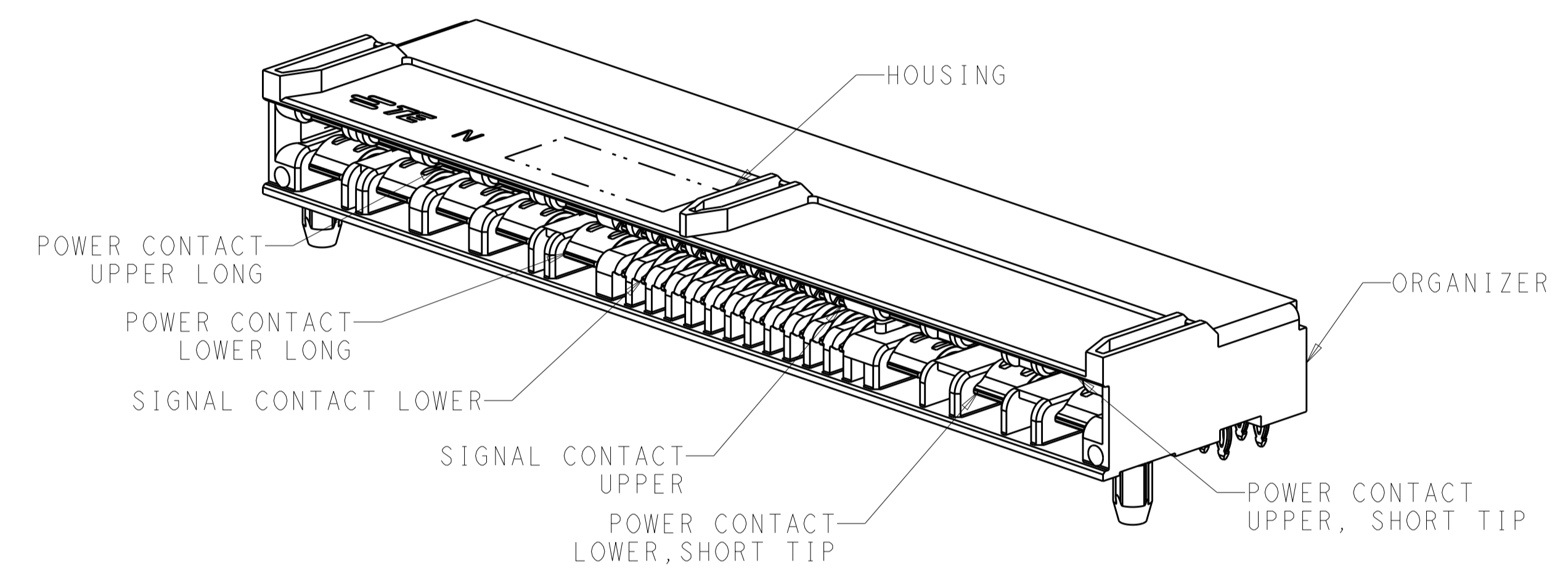
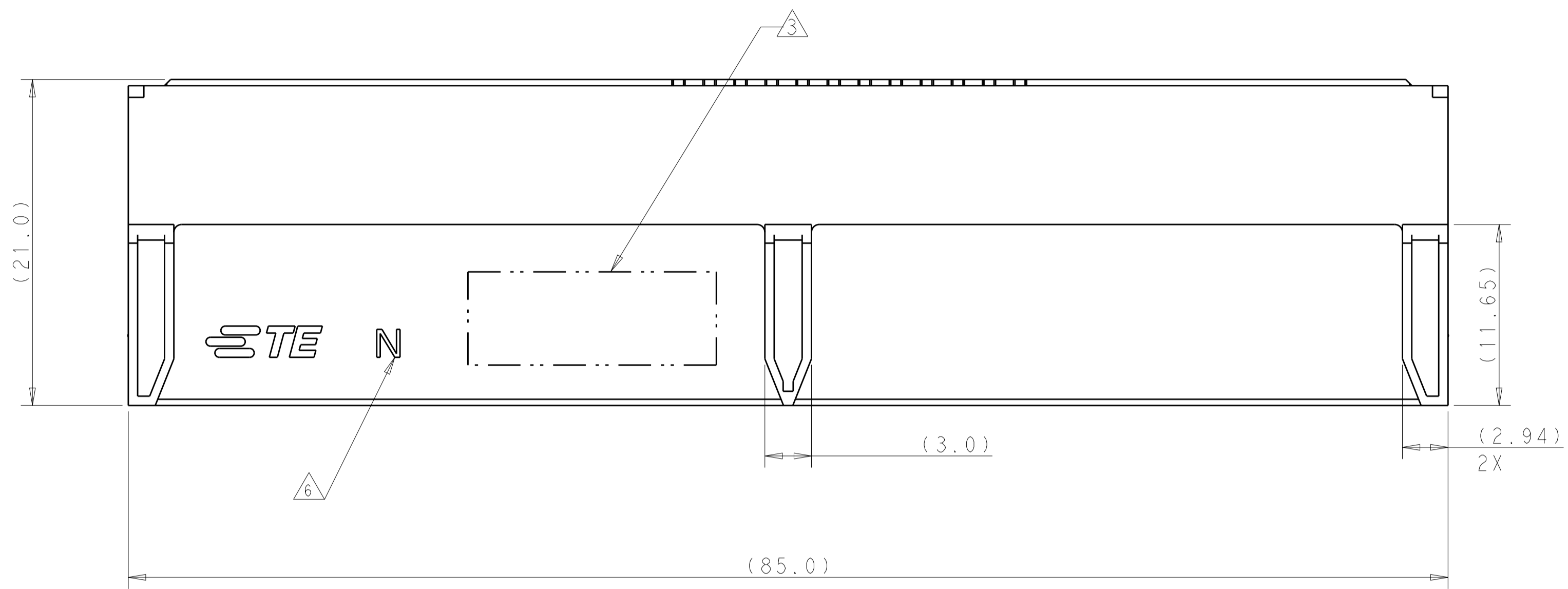


REVISONS		DATE	OWN	APVD
A5	ECO-16-018684	30DEC2016	SZ	SZ
A6	ECO-17-007909	01JUN2017	SZ	SZ
B	ECO-19-003551	11MAR2019	SZ	SZ
B1	ECO-20-001857	07JAN2020	SZ	SZ

NOTES, UNLESS OTHERWISE SPECIFIED

- MATERIAL:
HOUSING - THERMOPLASTIC, GLASS PREINFORCED, COLOR, BLACK, UL 94V-0
CONTACTS- COPPER ALLOY.
- FINISH:
MATING AREA - NOBLE METAL OVERALL NICKEL.
PRESS FIT - MATTE TIN OVERALL NICKEL.
- MARK P/N AND DATA CODE IN APPROX. AREA AS SHOWN.
- NO BURRS AND/OR SHARP EDGES ARE PERMISSIBLE.
- DATUMS AND BASIC DIMENSIONS ESTABLISHED BY CUSTOMER.
- THE MARK "N" MEANS NUMBER OF THE CAVITY.



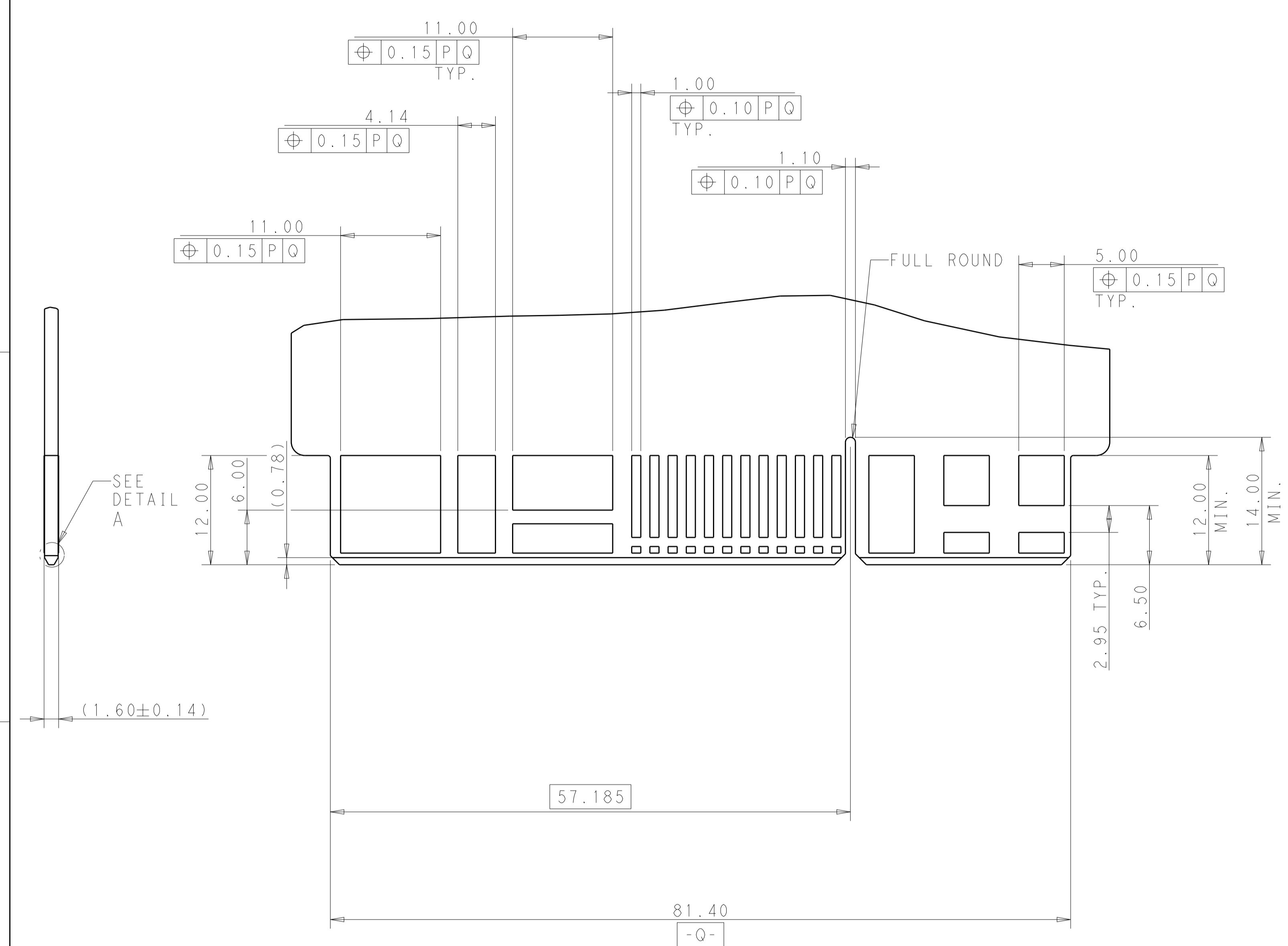
PRODUCT P/N	DESCRIPTION	Q'TY
2170231-3 (PRELIMINARY)	POWER CONTACT, LOWER, SHORT TIP	2
	POWER CONTACT, UPPER, SHORT TIP	2
	SIGNAL CONTACT, UPPER	8
	SIGNAL CONTACT, LOWER	8
	POWER CONTACT UPPER LONG	6
	POWER CONTACT LOWER LONG	6
	ORGANIZER	1
	HOUSING	1

PRODUCT P/N	DESCRIPTION	Q'TY	
2170231-2	POWER CONTACT, LOWER, SHORT TIP	2	
	POWER CONTACT, UPPER, SHORT TIP	2	
	SIGNAL CONTACT, UPPER	2	
	SIGNAL CONTACT, LOWER	2	
	POWER CONTACT UPPER LONG	6	
	POWER CONTACT LOWER LONG	6	
	ORGANIZER	1	
	HOUSING	1	
	2170231-1	POWER CONTACT, LOWER, SHORT TIP	2
		POWER CONTACT, UPPER, SHORT TIP	2
SIGNAL CONTACT, UPPER		12	
SIGNAL CONTACT, LOWER		12	
POWER CONTACT UPPER LONG		6	
POWER CONTACT LOWER LONG		6	
	ORGANIZER	1	
	HOUSING	1	

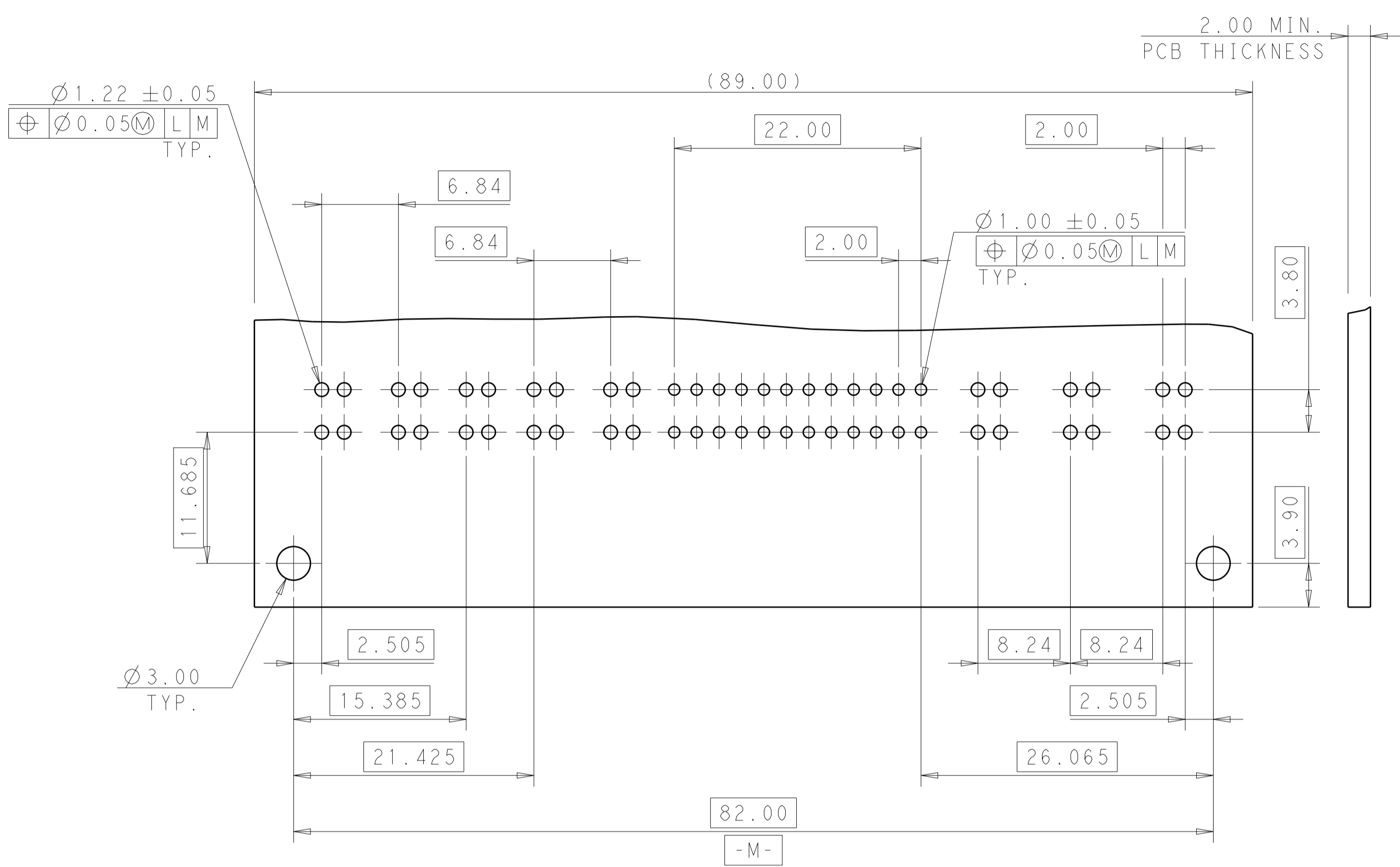
THIS DRAWING IS A CONTROLLED DOCUMENT. DIMENSIONS: mm. TOLERANCES UNLESS OTHERWISE SPECIFIED: 0 PLC ±0.2, 1 PLC ±0.1, 3 PLC ±0.05, 4 PLC ±0.05, ANGLES ±0.2. MATERIAL: -. FINISH: -. WEIGHT: -. CUSTOMER DRAWING. SCALE: 4:1. SHEET 1 OF 2. REV: B1.

OWN: JEFF GONG 10JAN2012. CHG: ALEX SHOAL 10JAN2012. APVD: MANGIAN WANG 10JAN2012. NAME: HYBRID POWER CARD EDGE PRESS FIT LOW PROFILE. APPLICATION SPEC: 108-60092. SIZE: A100779. DRAWING NO: C=2170231. RESTRICTED TO: B1.

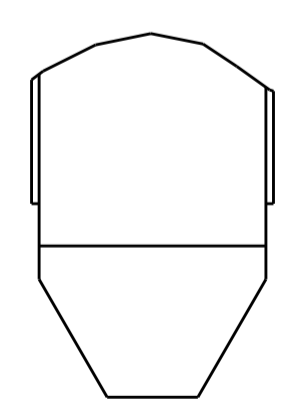
LOC	DIST	REV	DATE	BY	CHK	APPV
-	-	1	10JAN2012	JEFF GONG	10JAN2012	
-	-	2	10JAN2012	ALEX SHOAL	10JAN2012	
-	-	3	10JAN2012	WANGJIAN WANG	10JAN2012	



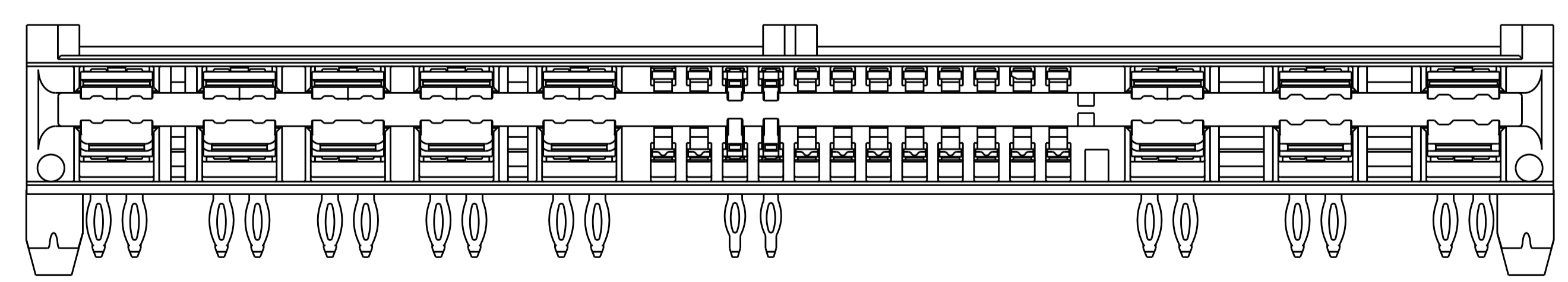
RECOMMENDED CARD EDGE CONFIGURATION
TYP. BOTH SIDE



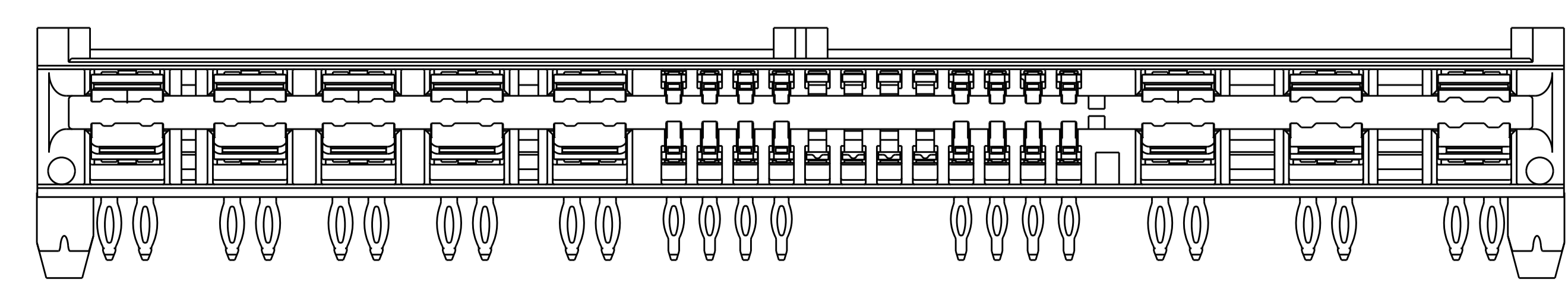
RECOMMENDED PRINTED CIRCUIT BOARD LAYOUT
COMPONENT SIDE



DETAIL A
SCALE 20:1



P/N: 2170231-2



P/N: 2170231-3

NOTES, UNLESS OTHERWISE SPECIFIED:

1. PLATED THROUGH HOLE, SIGNAL:
FINISHED HOLE SIZE: 1.00mm.
DRILL HOLE SIZE: 1.10 ± 0.025mm.
2. PLATED THROUGH HOLE, POWER:
FINISHED HOLE SIZE: 1.22mm.
DRILL HOLE SIZE: 1.32 ± 0.025mm.
3. COPPER PLATING THICKNESS: 0.025~0.05mm.
4. SURFACE FINISH: OSP OR IMMERSION TIN PLATING IS RECOMMENDED.

THIS DRAWING IS A CONTROLLED DOCUMENT.		OWN: JEFF GONG 10JAN2012	TE Connectivity
DIMENSIONS: mm		CHK: ALEX SHOAL 10JAN2012	
TOLERANCES UNLESS OTHERWISE SPECIFIED:		APVD: WANGJIAN WANG 10JAN2012	
0 PLC ± 1 PLC ±0.2 2 PLC ±0.1 3 PLC ±0.05 4 PLC ± ANGLES ±2		NAME: HYBRID POWER CARD EDGE PRESS FIT LOW PROFILE PRODUCT SPEC: 108-60092 APPLICATION SPEC:	
MATERIAL:	FINISH:	WEIGHT:	SIZE: A100779 CAGE CODE: C=2170231 CUSTOMER DRAWING: SCALE 4:1 SHEET 2 OF 2 REV B1

单击下面可查看定价，库存，交付和生命周期等信息

[>>TE Connectivity\(泰科\)](#)