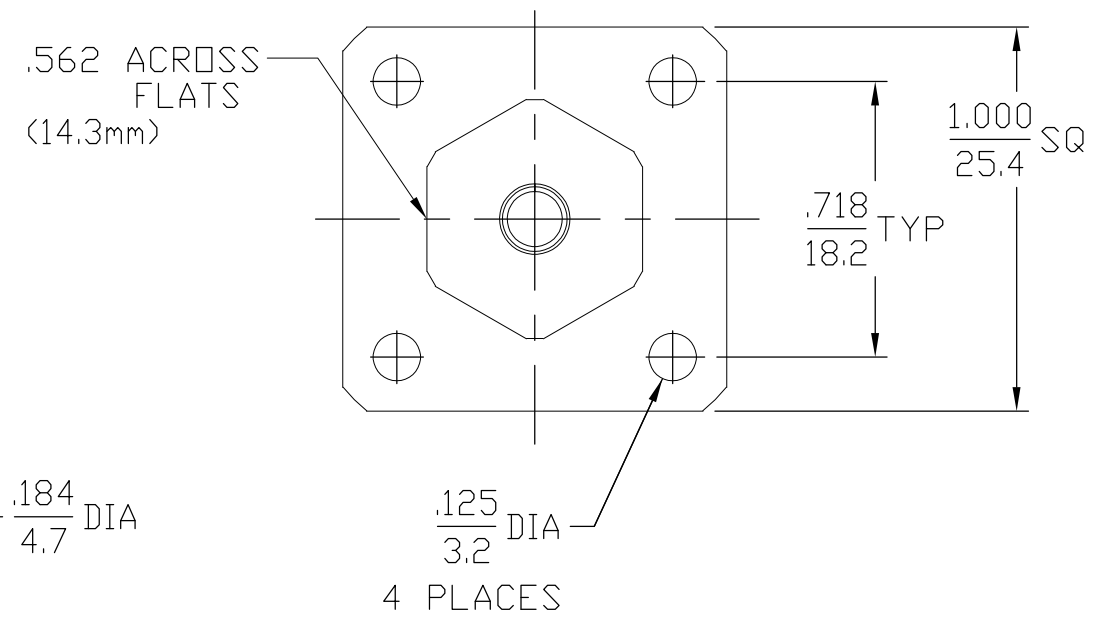
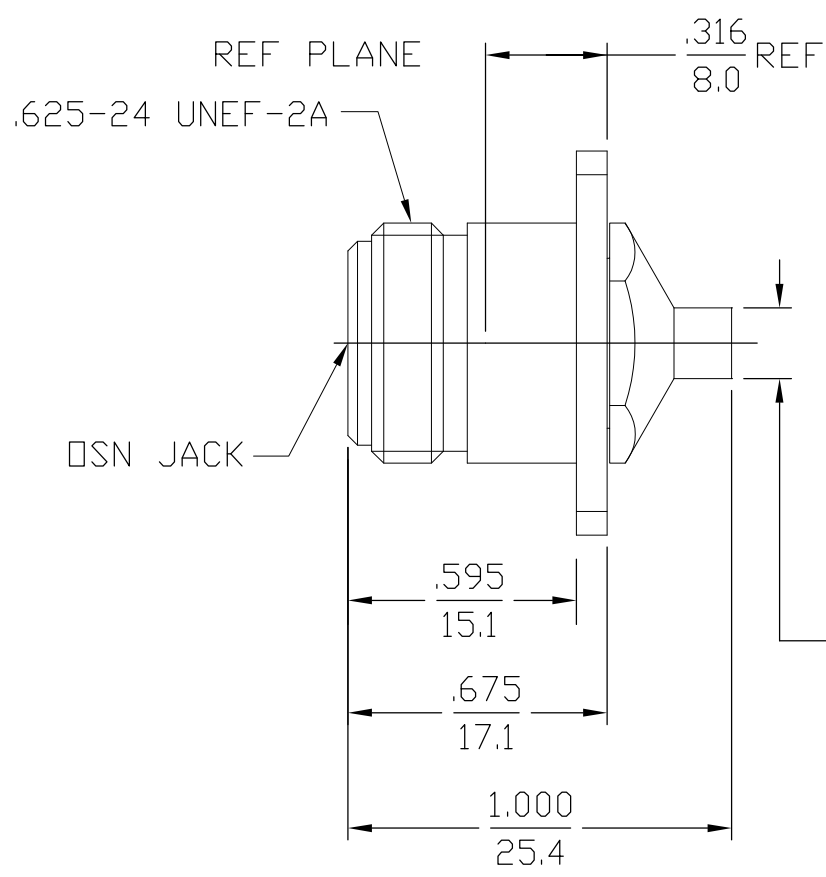


THIS DRAWING IS UNPUBLISHED. RELEASED FOR PUBLICATION
 © COPYRIGHT BY TYCO ELECTRONICS CORPORATION. ALL INTERNATIONAL RIGHTS RESERVED.
 CODE IDENT NO. 26805 3006-7941-00

LOC		DIST		REVISIONS			
P	LTR	DESCRIPTION	DATE	DWN	APVD		
	A	-	-	-	-		
	B	ECO-09-008295	28MAY09	AEG	JKO		

CABLE ENTRY DIAMETER MINIMUM	
DESIGNED FOR USE WITH RG 402/U (.141) CABLE	
HOUSING	.142
CONTACT	.040



USE ASS'Y PROCEDURE
 408-04884
 NO. A.P. (30-073)

COMPONENT	MATERIAL	FINISH
JACKING HOUSING	STAINLESS STEEL PER ASTM-A484, AND ASTM-A582, TYPE 303	PASSIVATE PER QQ-P-35
HOUSING CABLE ENTRY	BRASS PER ASTM-B-16 HALF HARD	GOLD PLATE PER MIL-G-45204
DIELECTRIC	TFE FLUOROCARBON PER ASTM-D-1457	N/A
CENTER CONTACT	BERYLLIUM COPPER PER ASTM-B196, ALLOY C17300, CONDITION H	GOLD PLATE PER MIL-G-45204

ELECTRICAL	MECHANICAL	ENVIRONMENTAL
Nominal Impedance (Ohms) 50	Interface Dimensions MIL-STD-348A, Fig. 304-2	TEMPERATURE RATING -55°C TO 125°C
Frequency Range (GHz) DC to 10	Recommended Mating Torque 12 TO 15 in/lbs	Vibration MIL-STD-202, Method 204, Condition B
Volt Rating (VRMS MAX) @ Sea Level 1000	Mating Characteristics: Insertion (MAX Lbs) 2.0	Shock MIL-STD-202, Method 213, Condition I
VSWR 1.07 + .007 X f(GHz)	Withdrawal (MIN Oz) 1.0	Thermal Shock MIL-STD-202, Method 107, Condition B, EXCEPT HIGH TEMP 115°C
Insertion Loss (dB MAX) .05 f(GHz)	Force to Engage and Disengage (In-Lbs MAX) 3.0	Moisture Resistance MIL-STD-202, Method 106, Except Step 7b
RF Leakage (dB MIN @ 2-3 GHz) -90	Center Contact Captivation Axial (Lbs) N/A	Corrosion - MIL-STD-202, Method 101, Condition B, 5% salt spray
Corona, 70,000 Ft (VRMS MIN) 750	Cable Retention Axial Force (Lbs) 60 min	
Dielectric Withstanding Voltage (VRMS MIN) @ Sea Level 3000	Torque (In-Oz) 55 min	
Contact Resistance (Milliohms MAX) Center Contact 2.0	Weight (Grams) N/A	
Outer Contact 2.0		
Cable to Housing .05		
RF High Potential @ Sea Level (VRMS MIN @ 5 MHz) 2500		
I.R.(Megohms MIN) 5000		

THIS DRAWING IS A CONTROLLED DOCUMENT.

DIMENSIONS: INCHES	TOLERANCES UNLESS OTHERWISE SPECIFIED:	DWN 12/11/95 JOSEPH DINSMORE	Tyco Electronics Corporation Harrisburg, PA 17105-3608
	0 PLC ± - 1 PLC ± - 2 PLC ± .005 3 PLC ± - 4 PLC ± - ANGLES ± 1°	CHK -	
MATERIAL -	FINISH -	APVD 12/11/95 <i>DCmelB</i>	NAME OSN FLANGE MOUNT CABLE JACK-DIRECT SOLDER ATTACHMENT
		PRODUCT SPEC -	SIZE A3 CAGE CODE 00779 DRAWING NO. C-1057176
		APPLICATION SPEC -	RESTRICTED TO -
		WEIGHT -	SCALE 2:1 SHEET 1 OF 1 REV B

CUSTOMER DRAWING

单击下面可查看定价，库存，交付和生命周期等信息

[>>TE Connectivity\(泰科\)](#)