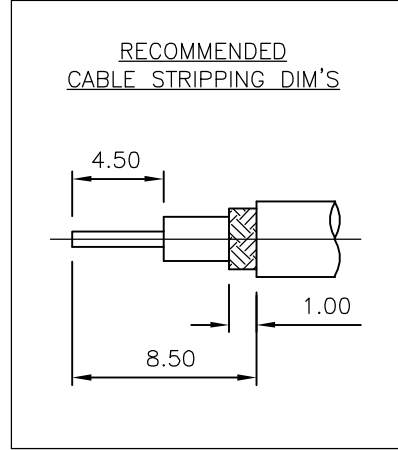
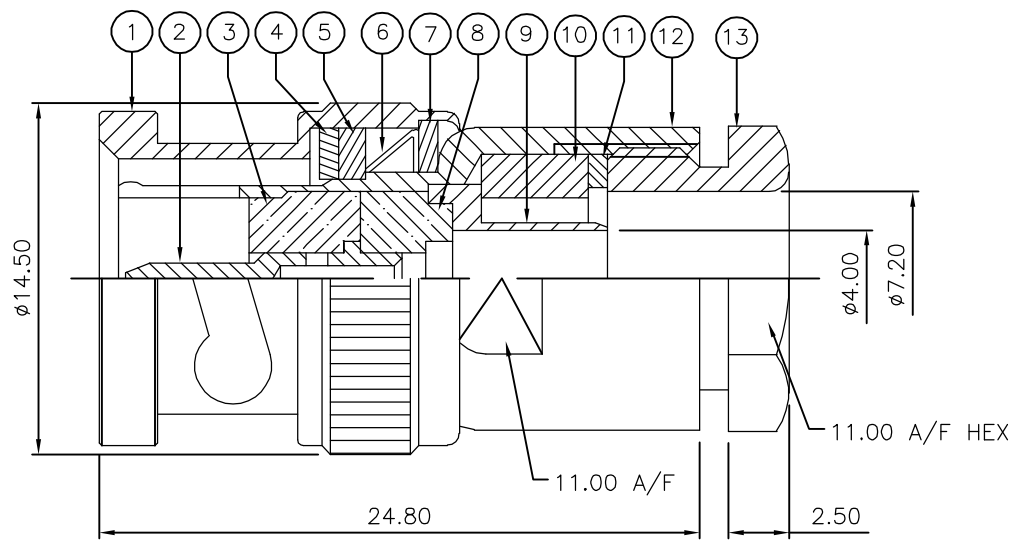


THIS DRAWING IS UNPUBLISHED. RELEASED FOR PUBLICATION JULY, 2006.
 © COPYRIGHT 2006 BY TYCO ELECTRONICS CORPORATION. ALL RIGHTS RESERVED.

LOC	DIST	REVISIONS					
E	B	P	LTR	DESCRIPTION	DATE	DWN	APVD
		B		ECR-06-017552	21JUL06	JMS	FWK

NOTES:

- ① PACK IN ACCORDANCE WITH AMP SPEC 107-3275
 - ② 100 TRAY PACK IN ACCORDANCE WITH AMP SPEC 107-3275
 - ③ Ag PLATING
 - ④ Ni PLATING
 - ⑤ THIS ITEM MUST BE WHITE
- 6 ELECTRICAL CHARACTERISTICS
 FREQUENCY RANGE: DC - 2 GHz
 NOMINAL IMPEDANCE: 75 Ohm
 INSULATION RESISTANCE: 5000 MOhm
 WORKING VOLTAGE: 500 Volts RMS at Sea Level
 DIELECTRIC WITHSTAND VOLTAGE: 1500 Volts RMS Max
 CONTACT RESISTANCE:
 CENTRE CONTACT: 1.50 mOhm Max
 OUTER CONTACT: 0.20 mOhm Max
 VSWR @ 2GHz: 1.20:1 Max
 INSERTION LOSS dB @ x 2 GHz: 0.20 Max
- 7 MECHANICAL CHARACTERISTICS
 COUPLING RETENTION FORCE: 445N Min
 CABLE RETENTION FORCE: 170N Min
 CLAMP NUT RECOMMENDED TORQUE: 4N
 DURABILITY: 500 Cycles Min
- 8 ENVIRONMENTAL CHARACTERISTICS
 OPERATING TEMPERATURE: -65 to +165 DegC
- 9 FOR TECHNICAL DATA REFER TO YOUR LOCAL TYCO ELECTRONICS SALES OFFICE
- 10 ALL DIMENSIONS ARE NOMINAL FOR REFERENCE ONLY UNLESS OTHERWISE STATED



QTY	QTY PER ASSY	MATERIAL	DESCRIPTION	ITEM
1	1	BRASS	CLAMP NUT	13
1	1	BRASS	BODY	12
1	1	BRASS	WASHER	11
1	1	SILICONE RUBBER	GASKET	10
1	1	BRASS	SLEEVE	9
1	1	PTFE	INSULATION	8
1	1	BRASS	WASHER	7
1	1	SPRING STEEL	SPRING	6
1	1	BRASS	RETAINING RING	5
1	1	SILICONE RUBBER	GASKET	4
1	1	PTFE	INSULATION	3
1	1	BRASS	CONTACT	2
1	1	BRASS	SHELL	1
6--0	1--0			
③	③			

THIS DRAWING IS A CONTROLLED DOCUMENT.		DWN J.SANDWELL 21JUL06	Tyco Electronics Corporation Bideford EX39 4HE	
DIMENSIONS: mm		CHK S.PARLOW 21JUL06		
TOLERANCES UNLESS OTHERWISE SPECIFIED:		APVD F.WHEELER-KING 21JUL06	NAME BNC STRAIGHT PLUG SOLDER 75 OHM BT2003	
0 PLC ± -		PRODUCT SPEC -	APPLICATION SPEC -	
1 PLC ± -		411-3252	SIZE A3	CAGE CODE 00779
2 PLC ± -		WEIGHT -	DRAWING NO C-1478168	RESTRICTED TO -
3 PLC ± -		MATERIAL SEE TABLE	CUSTOMER DRAWING	
4 PLC ± -			SCALE NTS	SHEET 1 OF 1
ANGLES ± -				
FINISH -				

单击下面可查看定价，库存，交付和生命周期等信息

[>>TE Connectivity\(泰科\)](#)