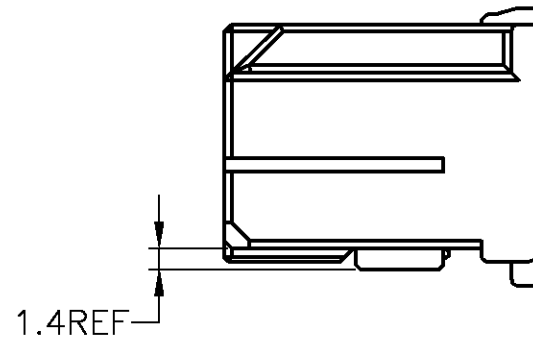
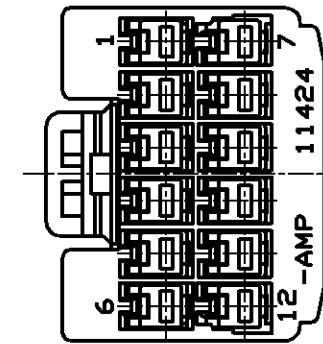
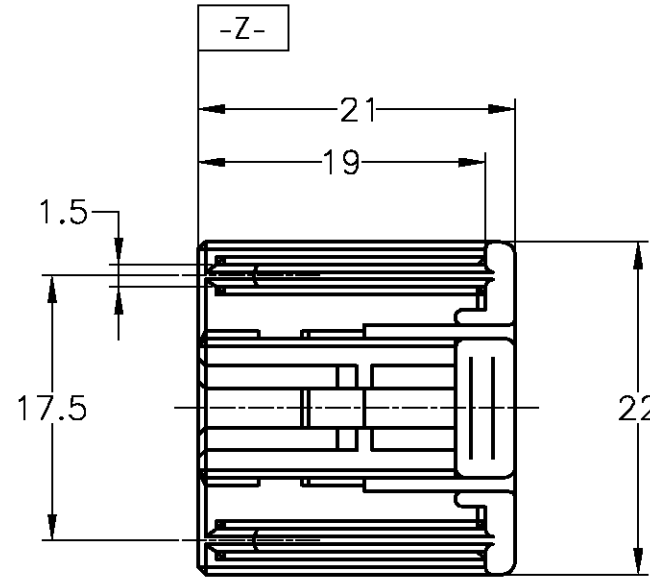
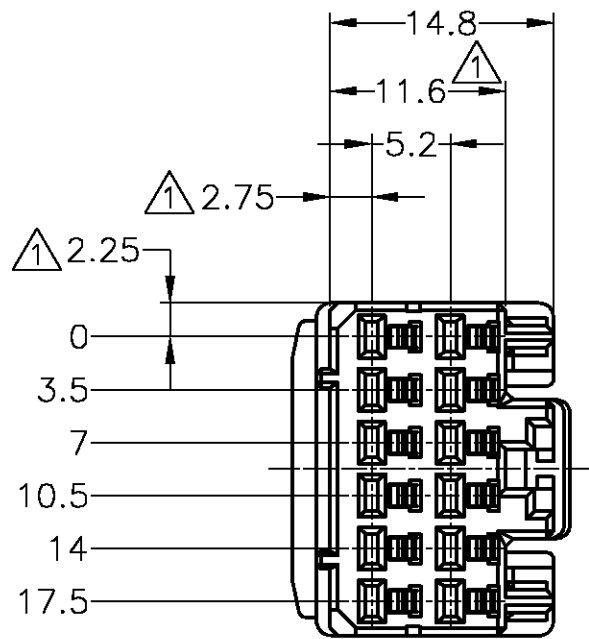


THIS DRAWING IS UNPUBLISHED. RELEASED FOR PUBLICATION  
 © COPYRIGHT BY TYCO ELECTRONICS CORPORATION. ALL RIGHTS RESERVED.

| LOC | DIST | REVISIONS |     |                  |              |         |      |    |
|-----|------|-----------|-----|------------------|--------------|---------|------|----|
|     |      | P         | LTR | DESCRIPTION      | DATE         | DWN     | APVD |    |
| J   | -    | C1        |     | REDRAWN W/CHANGE | FJA0-0068-04 | 04FEB04 | TS   | KB |



- ① MUST BE KEPT BETWEEN -Z- AND 2mm.
- 2. THE MATING CAP HOUSING PART NUMBER;  
175444, 175448, 176255, 178093
- 3. APPLIED CONTACT PART NUMBER;  
175275, 175276, 175268, 175269
- 4. APPLICABLE PRODUCT SPEC No. 108-5342
- ⑤ RETAINER COLOR; ALL WHITE

- ① -Z- 面より 2mm の範囲で測定。
- 2. 嵌合相手ハウジング型番;  
175444, 175448, 176255, 178093
- 3. 内装するリセプタクルコンタクト型番;  
175275, 175276, 175268, 175269
- 4. 適用製品規格番号 108-5342
- ⑤ リテーナは全て白色

|                       |            |             |
|-----------------------|------------|-------------|
|                       | LIGHT GRAY | 6-917978-6  |
|                       | YELLOW     | 917978-7    |
| 353437-6              | GRAY       | 917978-6    |
|                       | BLUE       | 917978-5    |
|                       | BLACK      | 917978-2    |
|                       | WHITE      | 917978-1    |
| PACKING, BLISTER TRAY | ⑤ COLOR    | PART NUMBER |

| TOLERANCE UNLESS OTHERWISE SPECIFIED: 一般公差 |       |
|--|-------|
| 0 < x ≤ 10                                 | ±0.2  |
| 10 < x ≤ 30                                | ±0.25 |
| 30 < x ≤ 100                               | ±0.3  |
| ANGLE ; 角度                                 | ±3°   |

|   |  |                              |   |                 |
|---|--|------------------------------|---|-----------------|
| THIS DRAWING IS A CONTROLLED DOCUMENT.      |  | DWN T.SHINOHARA 04FEB04      | Tyco Electronics AMP K.K. Kawasaki, Japan |                 |
| DIMENSIONS: 単位: 概 MM                        |  | CHK K.BETSUI 04FEB04         |   |                 |
| TOLERANCES UNLESS OTHERWISE SPECIFIED: 一般公差 |  | APVD K.BETSUI 04FEB04        | NAME 040/070 HYBRID I/O CONNECTOR MK-II   |                 |
| MATERIAL 材料 PBT                             |  | PRODUCT SPEC 製品規格 SEE NOTE 4 | DRAWING NO 番号 C-917978                    |                 |
| FINISH 仕上 -                                 |  | APPLICATION SPEC 取付適用規格 -    | SIZE A3                                   | RESTRICTED TO - |
|   |  | WEIGHT 3.9 g                 | CAGE CODE 00779                           | SHEET 1 OF 1    |
|   |  | CUSTOMER DRAWING             | SCALE 尺度 2:1                              | REV C1          |

单击下面可查看定价，库存，交付和生命周期等信息

[>>TE Connectivity\(泰科\)](#)