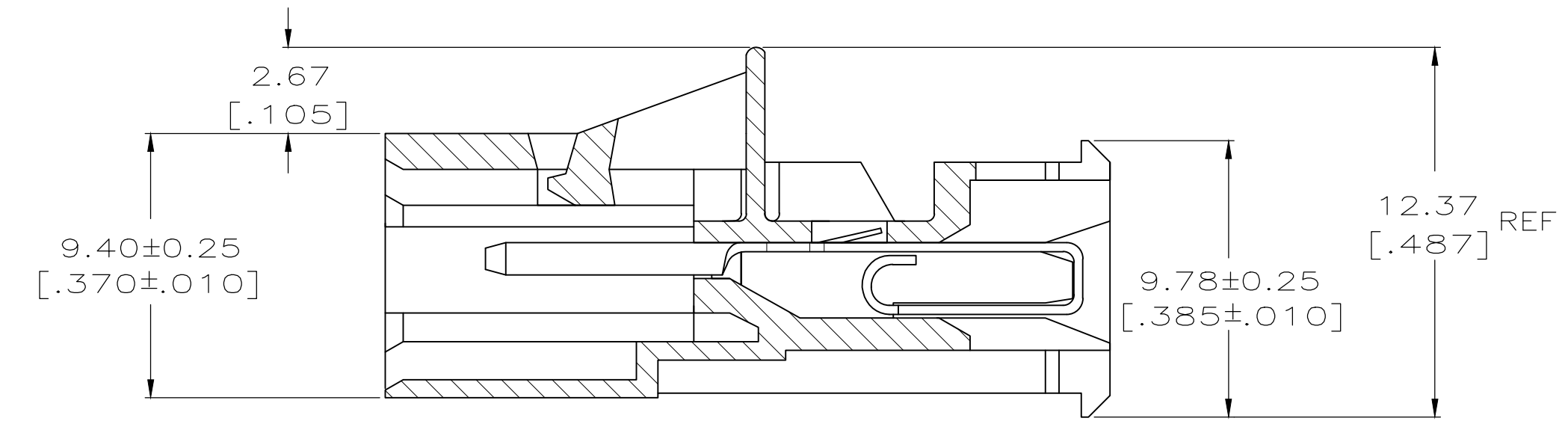
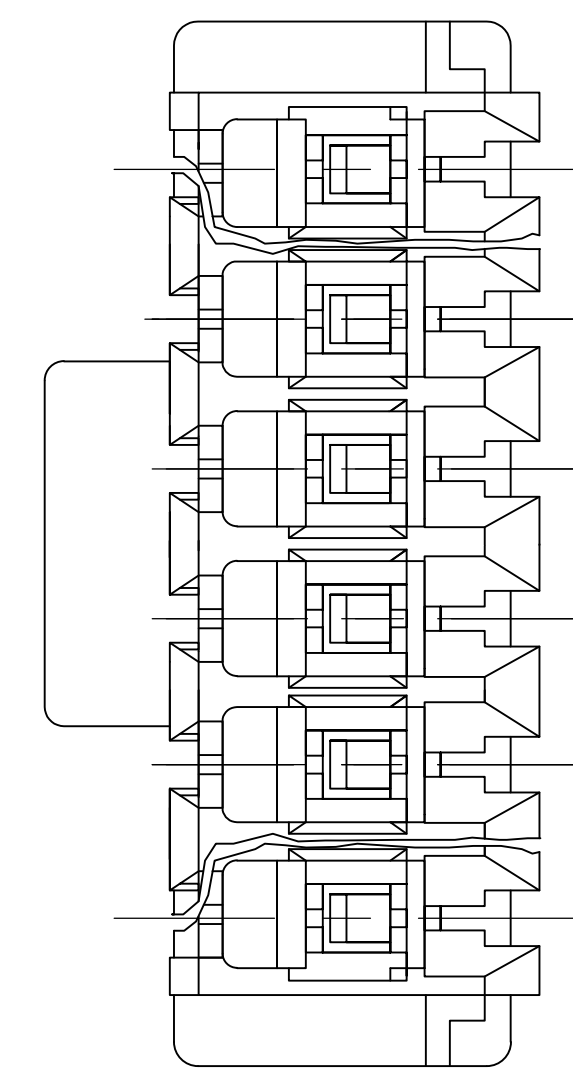
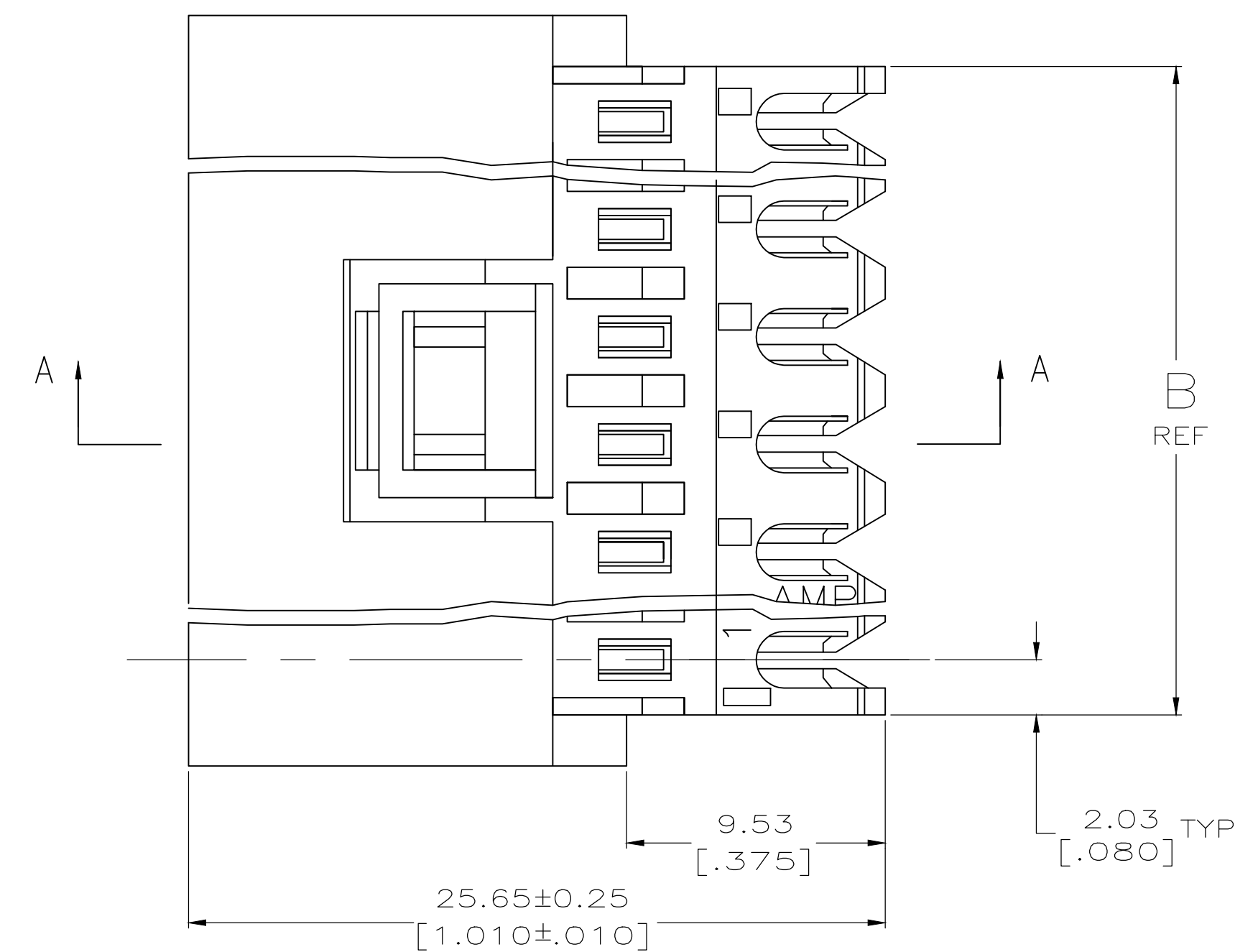
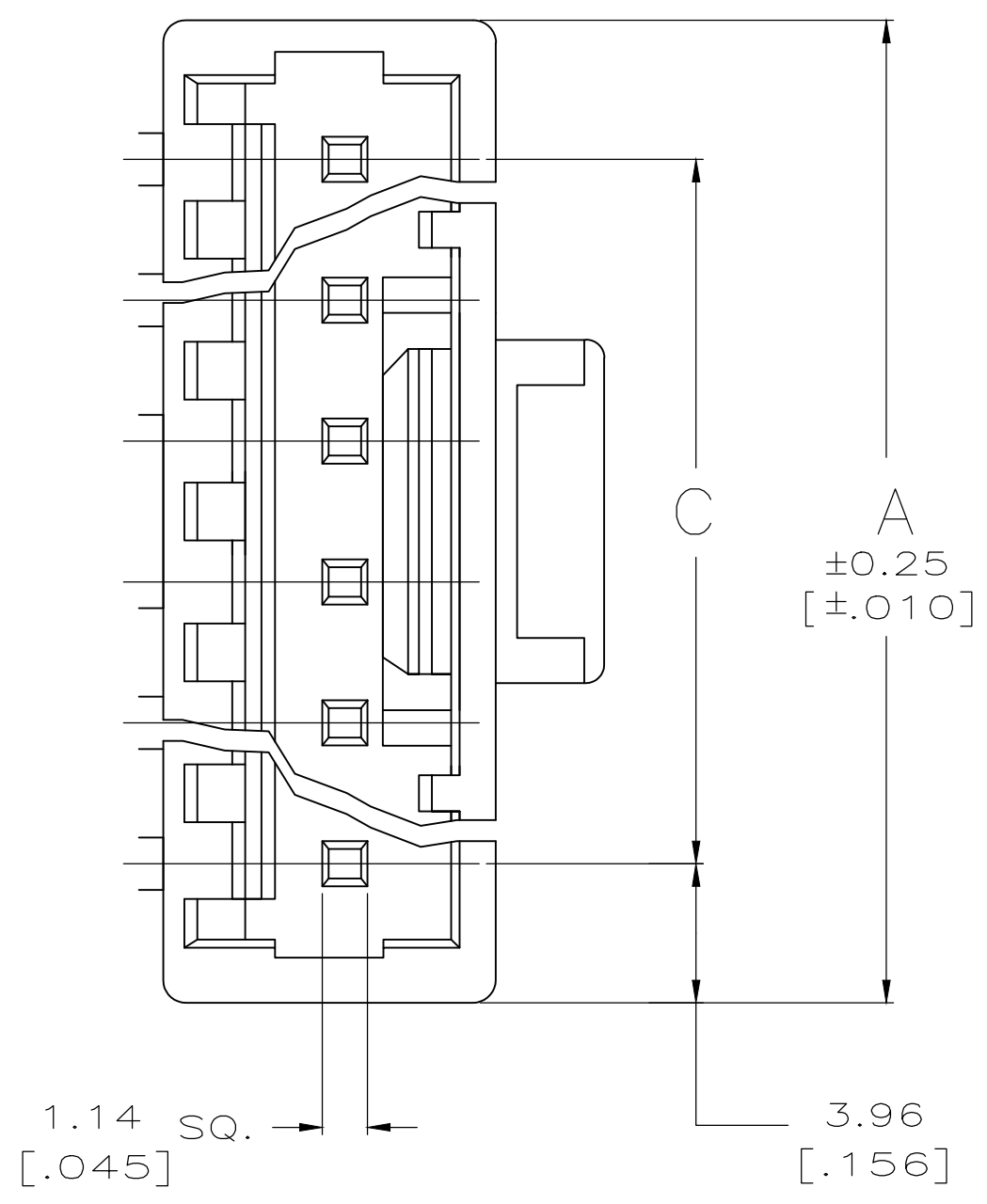


LOC		DIST		REVISIONS			
CM	0	REV	DATE	BY	CHK	APPV	
J	REVISED PER ECR-20-000808	22MAY2020	PC	SW			

- MATERIAL: CONNECTOR- NYLON UL94V-2 (YELLOW).
CONTACTS- 0.30 [.012] THK COPPER ALLOY
(BRIGHT TIN-LEAD 0.00203 [.000080] MIN THK).
(MATTE TIN 0.00203 [.000080] MIN THK).
- CONTACTS ACCEPT #20 AWG SOLID, FUSED STRANDED OR STRANDED (7 STRANDS) WIRE WITH 2.41 [.095] MAX INSULATION DIA.
- BOW, IN ANY DIRECTION, NOT TO EXCEED 0.15 [.006] PER IN.
- HOUSING FEATURES: FEED-THRU.
- DIMENSIONS IN BRACKETS ARE IN INCHES.
- △ OBSOLETE PARTS: OBSOLETE CIS STREAMLINING PER D.RENAUD/D.SINISI



SECTION A-A

FINISH	C	B	A	NO. OF CIRCUITS	PART NUMBER
TIN	91.14 [3.588]	95.20 [3.748]	99.06 [3.900]	24	5-641523-4
	55.47 [2.184]	59.54 [2.344]	63.40 [2.496]	15	4-641523-5
	43.59 [1.716]	47.65 [1.876]	51.51 [2.028]	12	4-641523-2
	31.70 [1.248]	35.76 [1.408]	39.62 [1.560]	9	3-641523-9
	19.81 [.780]	23.88 [.940]	27.74 [1.092]	6	3-641523-6
	11.89 [.468]	15.95 [.628]	19.81 [.780]	4	3-641523-4
	7.92 [.312]	11.99 [.472]	15.85 [.624]	3	3-641523-3
	3.96 [.156]	8.03 [.316]	11.89 [.468]	2	3-641523-2
	91.14 [3.588]	95.20 [3.748]	99.06 [3.900]	24	2-641523-4
	55.47 [2.184]	59.54 [2.344]	63.40 [2.496]	15	1-641523-5
	43.59 [1.716]	47.65 [1.876]	51.51 [2.028]	12	1-641523-2
	31.70 [1.248]	35.76 [1.408]	39.62 [1.560]	9	1-641523-9
	19.81 [.780]	23.88 [.940]	27.74 [1.092]	6	1-641523-6
	11.89 [.468]	15.95 [.628]	19.81 [.780]	4	1-641523-4
	7.92 [.312]	11.99 [.472]	15.85 [.624]	3	1-641523-3
	3.96 [.156]	8.03 [.316]	11.89 [.468]	2	1-641523-2
TIN-LEAD	91.14 [3.588]	95.20 [3.748]	99.06 [3.900]	24	5-641523-4
	55.47 [2.184]	59.54 [2.344]	63.40 [2.496]	15	4-641523-5
	43.59 [1.716]	47.65 [1.876]	51.51 [2.028]	12	4-641523-2
	31.70 [1.248]	35.76 [1.408]	39.62 [1.560]	9	3-641523-9
	19.81 [.780]	23.88 [.940]	27.74 [1.092]	6	3-641523-6
	11.89 [.468]	15.95 [.628]	19.81 [.780]	4	3-641523-4
	7.92 [.312]	11.99 [.472]	15.85 [.624]	3	3-641523-3
	3.96 [.156]	8.03 [.316]	11.89 [.468]	2	3-641523-2

△ SUPERSEDED
△ SUPERSEDED
△ SUPERSEDED
△ SUPERSEDED
△ SUPERSEDED
△ SUPERSEDED
△ SUPERSEDED

THIS DRAWING IS A CONTROLLED DOCUMENT.

DIMENSIONS: mm [INCHES]

TOLERANCES UNLESS OTHERWISE SPECIFIED:

0 PLC	±	-
1 PLC	±	-
2 PLC	±	0.13 [.005]
3 PLC	±	-
4 PLC	±	-
ANGLES	±	-

MATERIAL: SEE NOTE 1

FINISH: SEE NOTE 1

WEIGHT: -

CUSTOMER DRAWING

DIN K. SALMON 10-22-91

CHK R. SWING 10-22-91

APVD -

NAME: MTA-156 POSTED CONNECTOR ASSEMBLY, 20 AWG

PRODUCT SPEC: -

APPLICATION SPEC: -

SIZE: A1

SCALE: 5:1

SHEET: 1 of 1

REV: J

单击下面可查看定价，库存，交付和生命周期等信息

[>>TE Connectivity\(泰科\)](#)