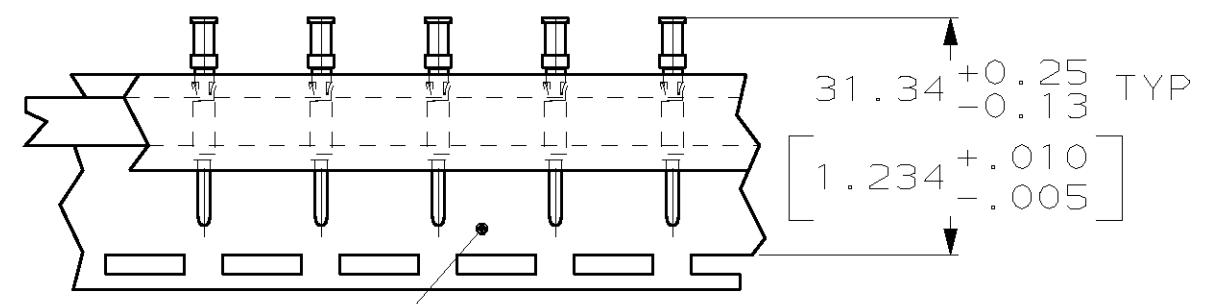
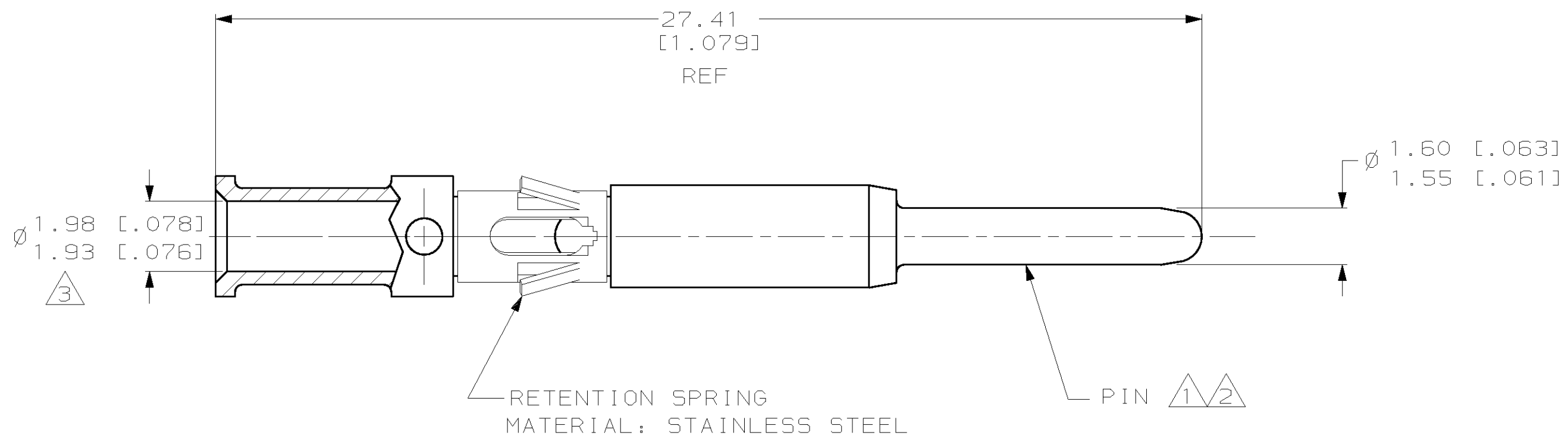


THIS DRAWING IS UNPUBLISHED. RELEASED FOR PUBLICATION, 19 .
 © COPYRIGHT 19 BY AMP INCORPORATED. ALL RIGHTS RESERVED.

| LOC | DIST | REVISIONS | | | |
|-----|------|-------------|-----------------------------------|-----------|---------|
| P | LTR | DESCRIPTION | DATE | DWN | APVD |
| CH | 11 | D | ADDED -2 | 21/NOV/95 | RNP PG |
| | | E | MATERIAL Δ FINISH Δ | 25/JUL/96 | RNP PRG |
| | | F | EC OB20-0724-97 | 10/JUN/97 | RNP RAR |
| | | G | EC OB20-0852-98 | 09/JUL/98 | RNP RAR |

- Δ 1 MATERIAL: COPPER ALLOY
- Δ 2 FINISH: 200 μ INCH MIN SILVER OVER 50 μ INCH MIN. NICKEL
- Δ 3 WIRE BARREL WILL ACCEPT #14AWG WIRE
- Δ 4 WHEN ORDERING CONTACT ASSEMBLIES ON TAPE, ORDER BY PART NUMBER PLUS THE PACKAGING CODE AS FOLLOWS:
 A. 5000 PARTS PER REEL ADD PACKAGING CODE: 5MREEL
 I.E. ORDER # 193844-2, 5MREEL



MYLAR TAPE
 TAPE MTG DETAIL Δ 4
 193844-2 ONLY

| | | |
|------------|-----------------------|----------|
| Δ 4 | TAPE MTG (SEE DETAIL) | 193844-2 |
| | STANDARD | 193844-1 |
| | PACKAGING TYPE | PART NO |

| | | | | | | |
|---|------------|------------------|-------------------------------|--|-----------|------------|
| THIS DRAWING IS A CONTROLLED DOCUMENT FOR AMP INCORPORATED. IT IS SUBJECT TO CHANGE AND THE CONTROLLING ENGINEERING ORGANIZATION SHOULD BE CONTACTED FOR THE LATEST REVISION. | | DWN | 14/OCT/94 | AMP AMP Incorporated Harrisburg, PA 17105-3608 | | |
| | | CHK | CRAIG M. SVOBODA 16/MAY/94 | | | |
| DIMENSIONS: mm [in] | | APVD | 16/MAY/94 | NAME PIN, ϕ .062, #14 AWG HIGH CURRENT TYPE II/III+ | | |
| TOLERANCES UNLESS OTHERWISE SPECIFIED: 0 PLC \pm - 1 PLC \pm .3 [.01] 2 PLC \pm .13 [.005] 3 PLC \pm - 4 PLC \pm - ANGLES \pm - FINISH | | PRODUCT SPEC | - | | | |
| MATERIAL | Δ 1 | APPLICATION SPEC | - | SIZE | CAGE CODE | DRAWING NO |
| | Δ 2 | WEIGHT | - | A3 | 00779 | C=193844 |
| CUSTOMER DRAWING | | SCALE | | SHEET | 1 OF 1 | REV G |

单击下面可查看定价，库存，交付和生命周期等信息

[>>TE Connectivity\(泰科\)](#)