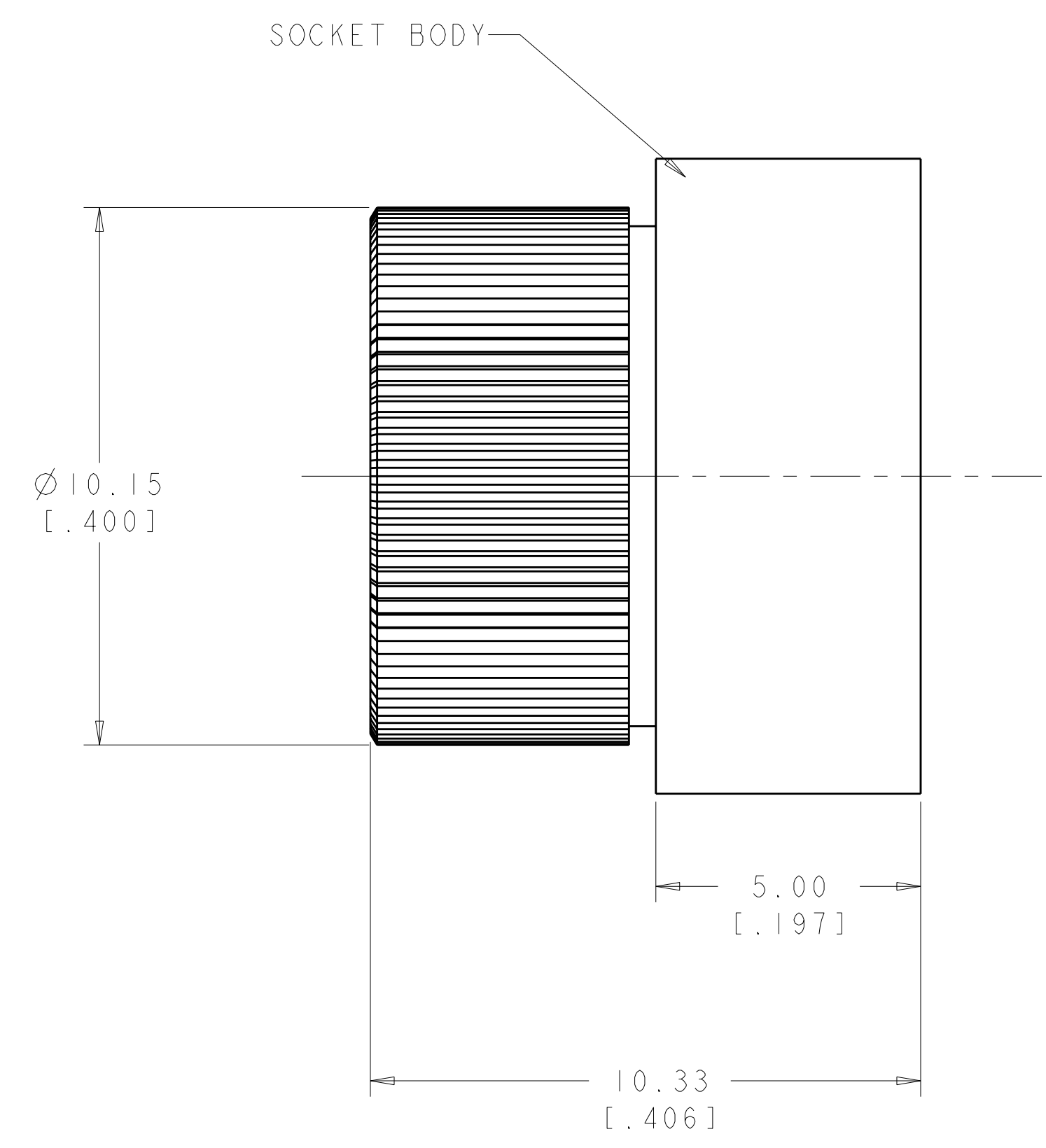
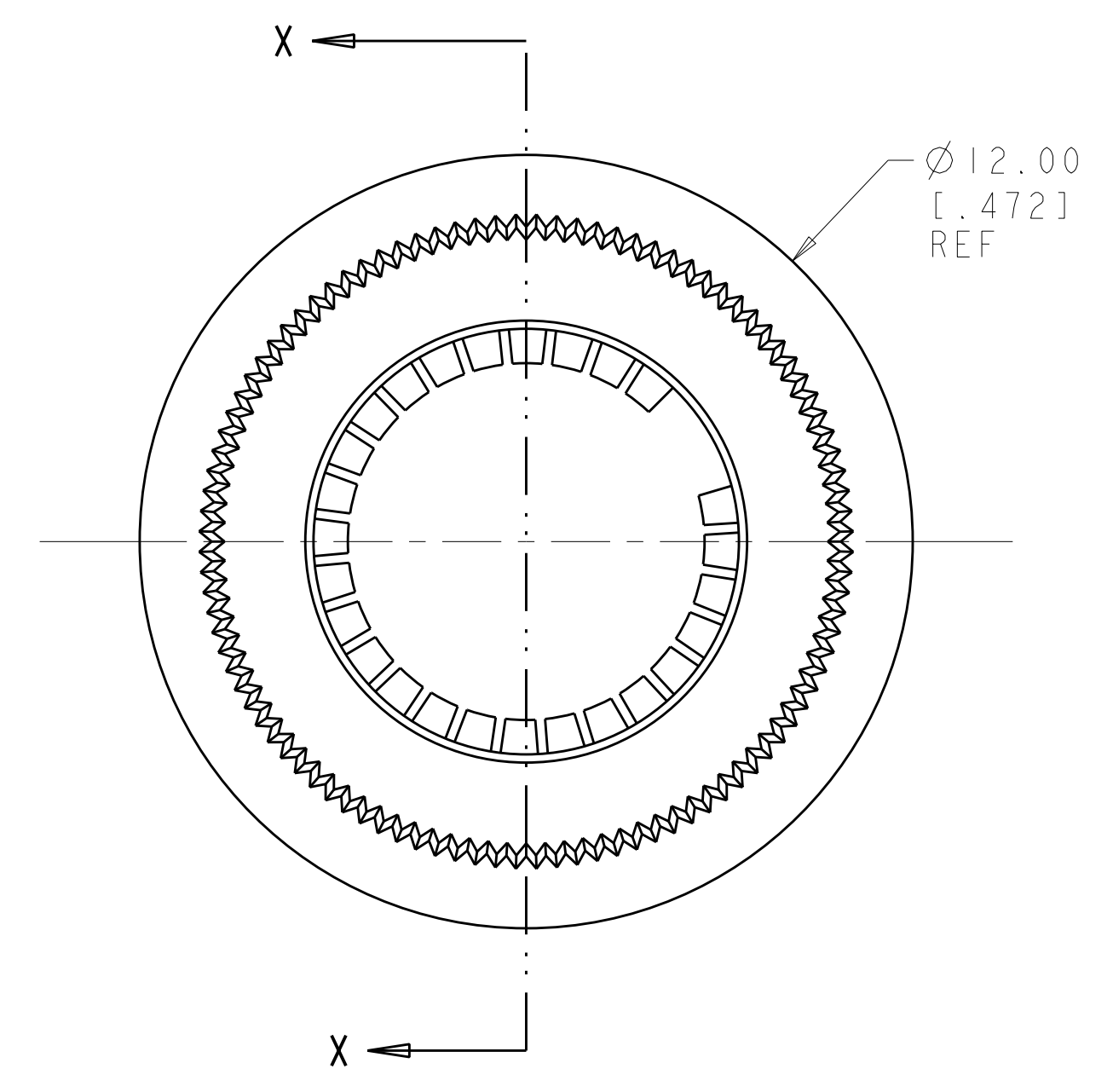
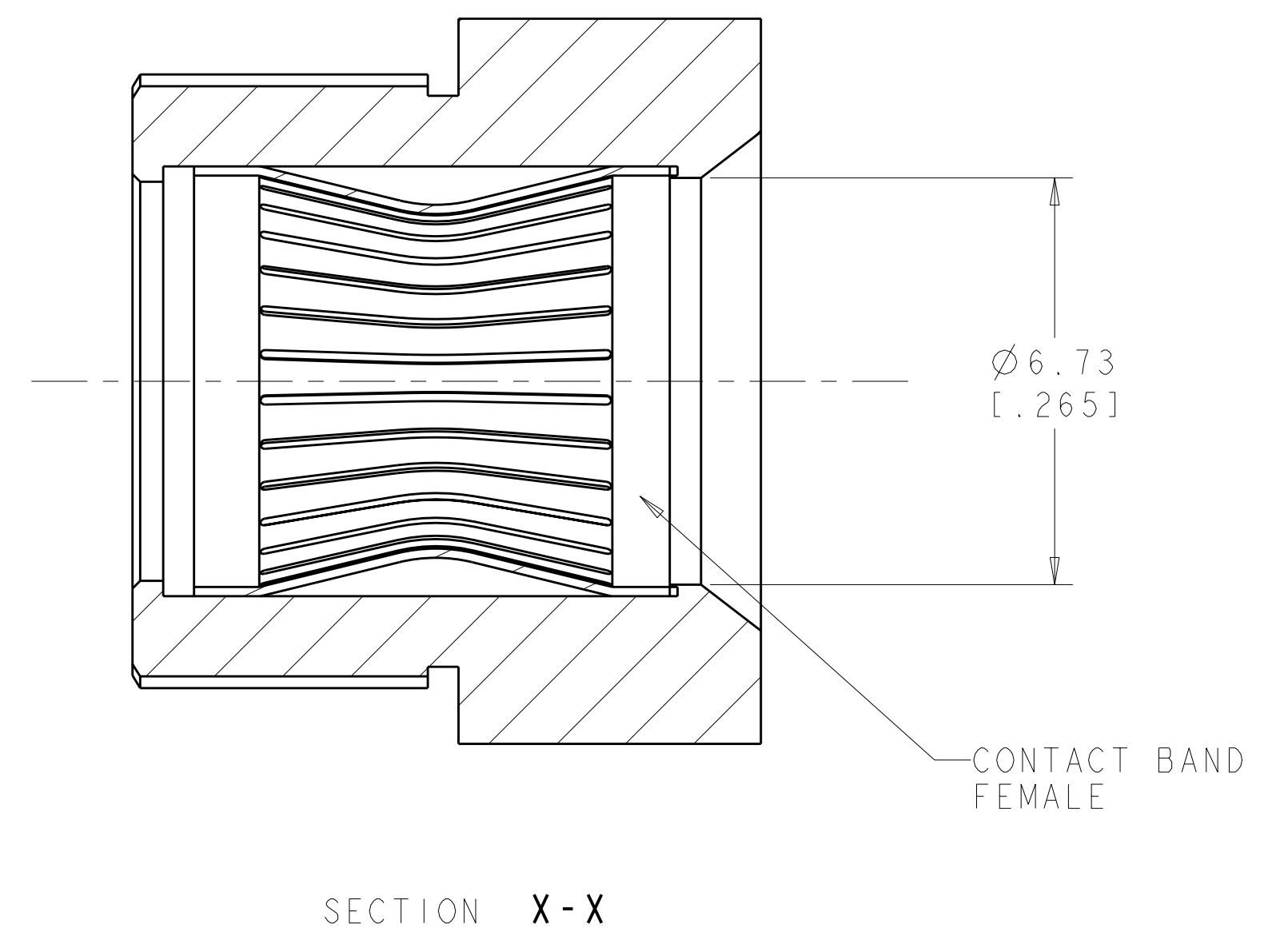


LOC	DIST	REVISIONS			
GP	00	REV	DATE	DWN	APVD
		1	PROPOSED DESIGN	12DEC2007	WVS GRD



- PART NUMBER CHANGES AND/OR DESIGN CHANGES AFFECTING ITEM INTERCHANGEABILITY REQUIRES PRIOR TYCO ELECTRONICS APPROVAL AND AUTHORIZATION BY REVISION TO THIS DRAWING.
- ITEMS PROVIDED TO THIS SPECIFICATION SHALL BE IDENTIFIED ON THE PACKAGE AS FOLLOWS: MANUFACTURER IDENTIFICATION PART NUMBER.
- RECOMENDED BUS BAR HOLE Ø10.03±0.03 [0.395±0.001].
- MATES WITH A Ø6.35 [0.250] PIN.
- MATERIAL:
SOCKET BODY - COPPER ALLOY
CONTACT BAND - COPPER ALLOY
- FINISH:
SOCKET BODY - SILVER PLATE OVER NICKEL PLATE OVER ALL.
CONTACT BAND - GOLD PLATE IN CONTACT AREA OVER NICKEL PLATE OVER ALL.
- THIS PRODUCT HAS NOT COMPLETED QUALIFICATION TESTING.

AS SHOWN	1926757-1
DESCRIPTION	PART NO

THIS PRINT IS
PRELIMINARY
 UNQUALIFIED PRODUCT
 CONTACT PRODUCT ENGINEERING
 BEFORE USING THIS PRINT

DIMENSIONS: mm [INCHES]		TOLERANCES UNLESS OTHERWISE SPECIFIED:		DWN: WM VAN SCOOC 13NOV2007 CHK: G.R. DEFIBAUGH 13NOV2007 APVD: G.R. DEFIBAUGH 13NOV2007		tyco Tyco Electronics Harrisburg, PA 17105-3608	
0 PLC ± 1 PLC ± 2 PLC ±0.25 [0.010] 3 PLC ± 4 PLC ±	± ± ± ±	± ± ± ±	± ± ± ±	PRODUCT SPEC APPLICATION SPEC	NAME ASSEMBLY, #4 SOCKET, BUSBAR, LONG	SIZE A	CAGE CODE 100779
MATERIAL: 5		FINISH: 6		WEIGHT: -	DRAWING NO C=1926757	RESTRICTED TO	SCALE: 4:1
CUSTOMER DRAWING				SHEET: 1	OF: 1	REV:	DATE:

单击下面可查看定价，库存，交付和生命周期等信息

[>>TE Connectivity\(泰科\)](#)