

4

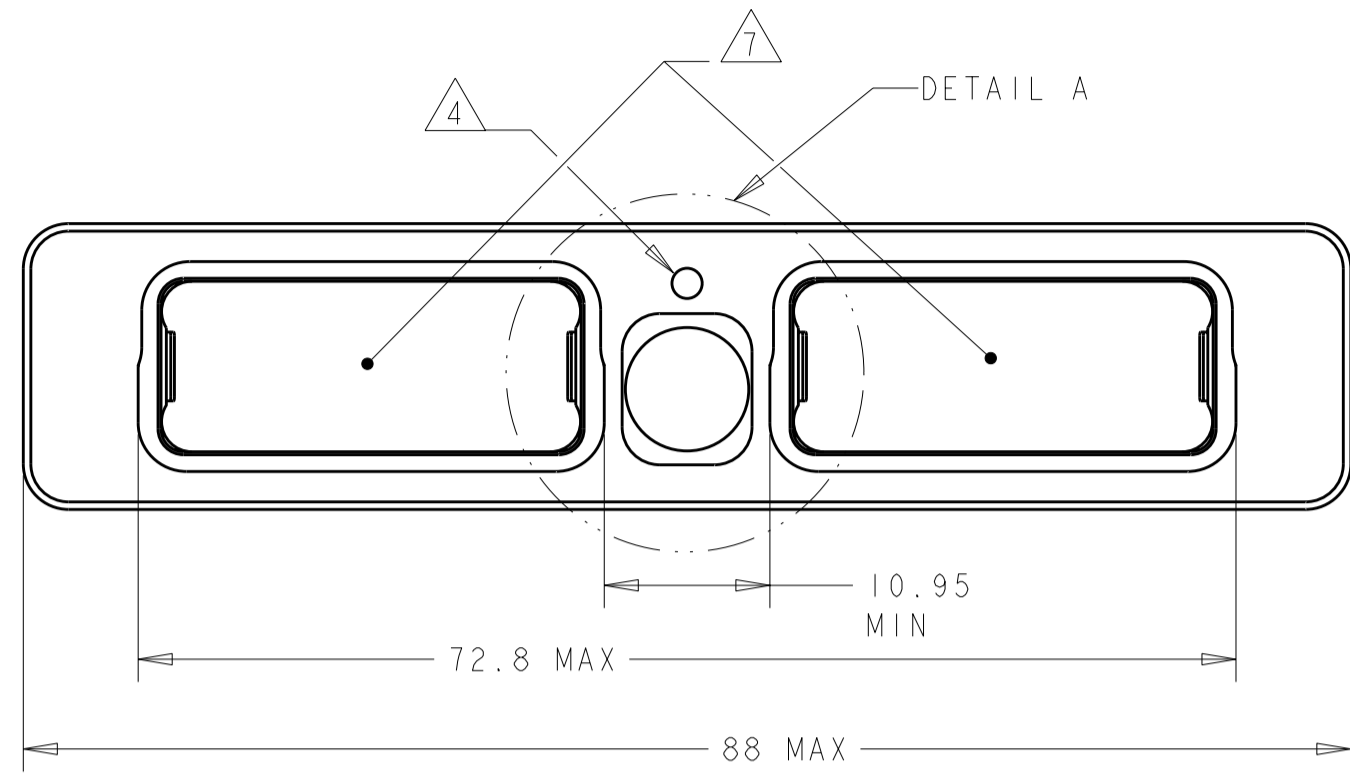
3

2

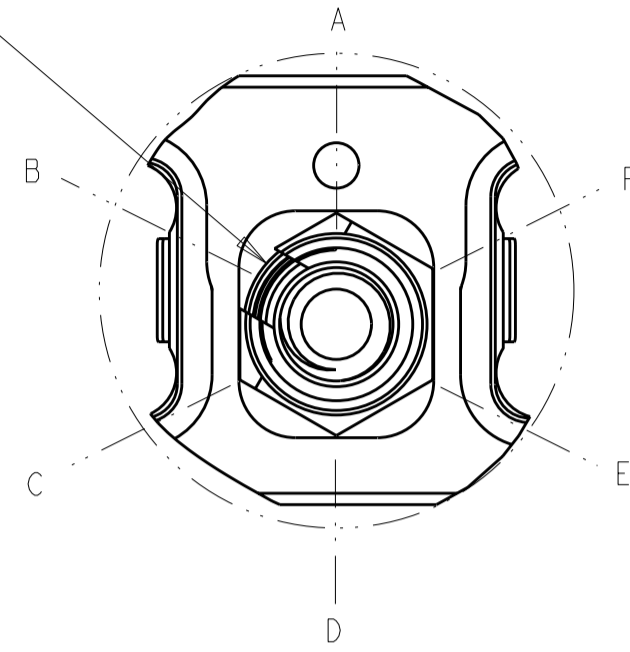
1

THIS DRAWING IS UNPUBLISHED. RELEASED FOR PUBLICATION
 © COPYRIGHT - BY TYCO ELECTRONICS CORPORATION. ALL RIGHTS RESERVED.

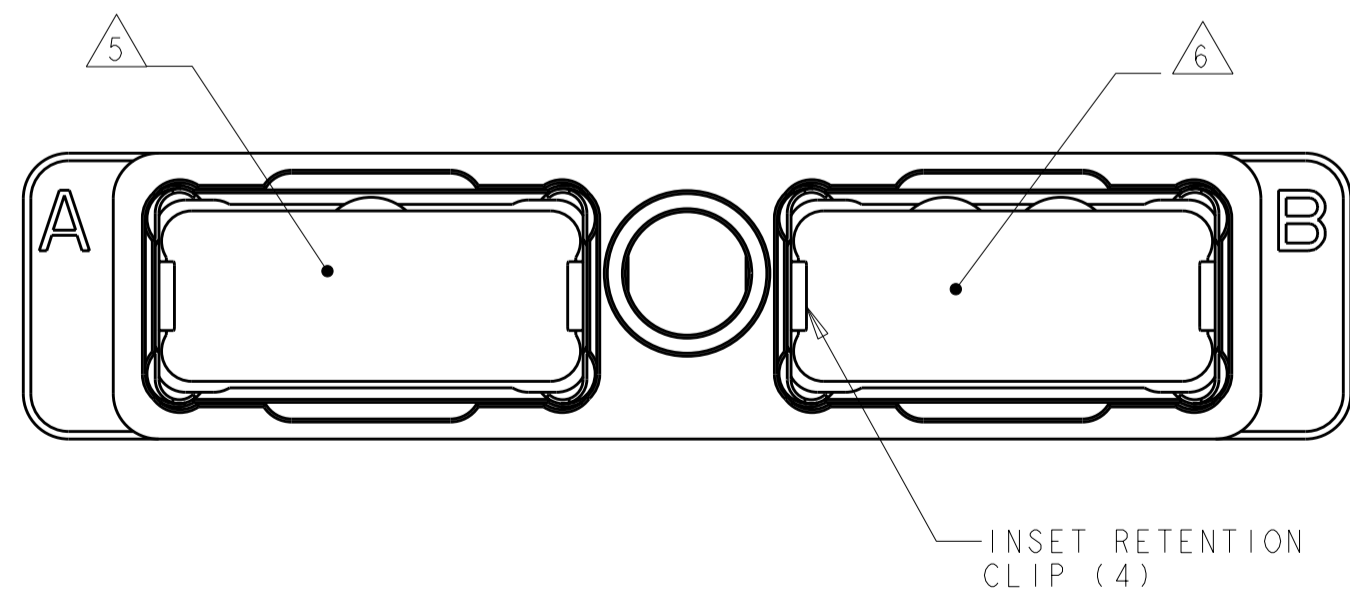
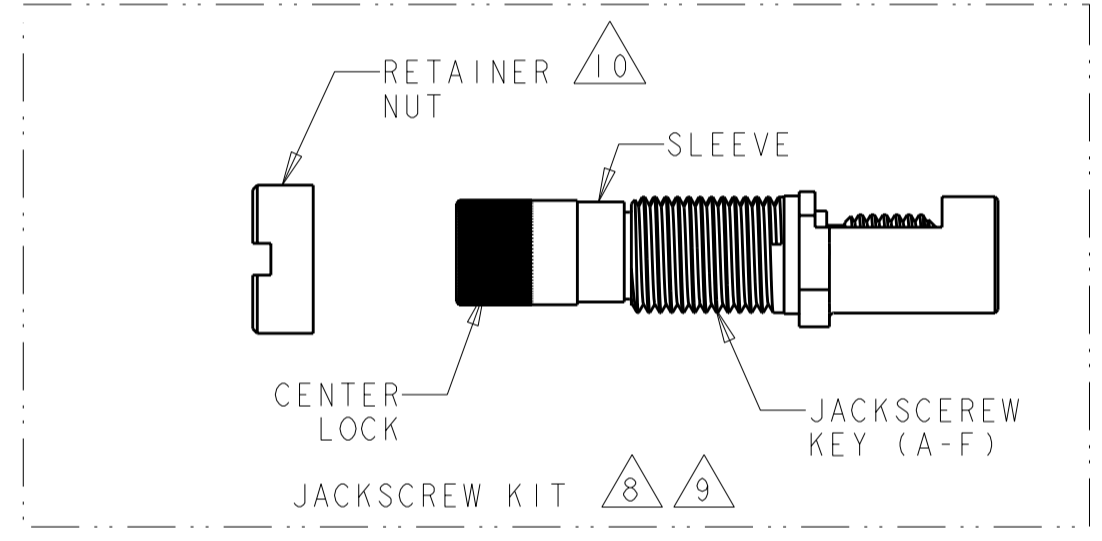
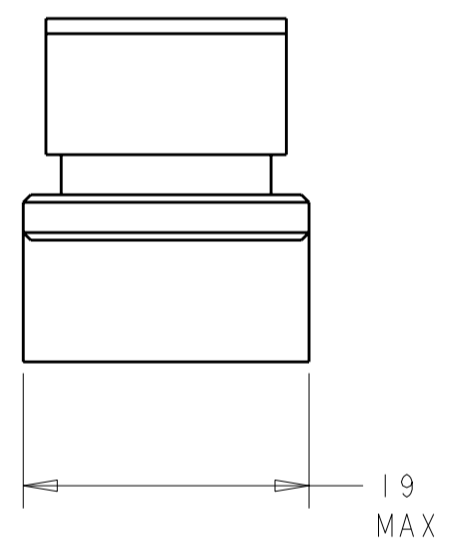
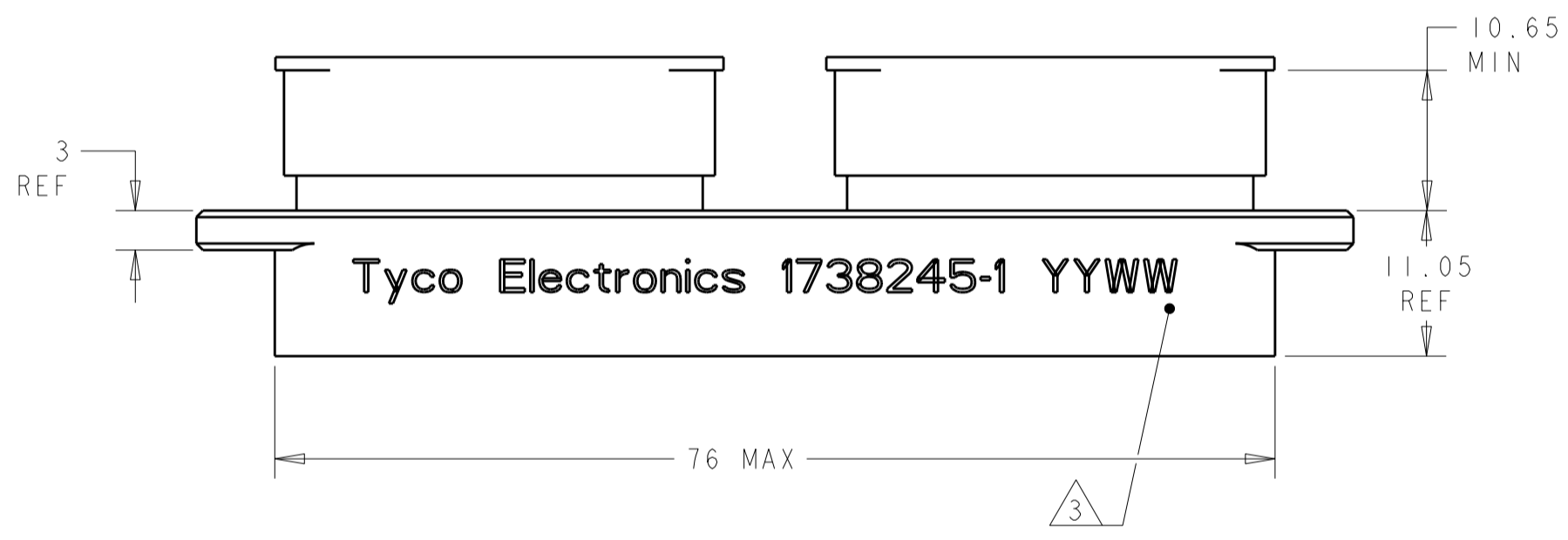
| LOC | | DIST | | REVISIONS | | | |
|-----|-----|-----------------------|----------|-----------|------|--|--|
| P | LTR | DESCRIPTION | DATE | DWN | APVD | | |
| | A | REV PER ECO 10-021447 | 10-21-10 | CT | KH | | |
| | | | | | | | |
| | | | | | | | |



KEY SLOT OF A - F JACKSCREW
 ALIGNED WITH THE CORNER POINTS
 OF THE POLARIZING HEX
 (SHOWN IN POSITION B)



DETAIL A
 SCALE 3:1



SEE NOTES ON SHEET 2

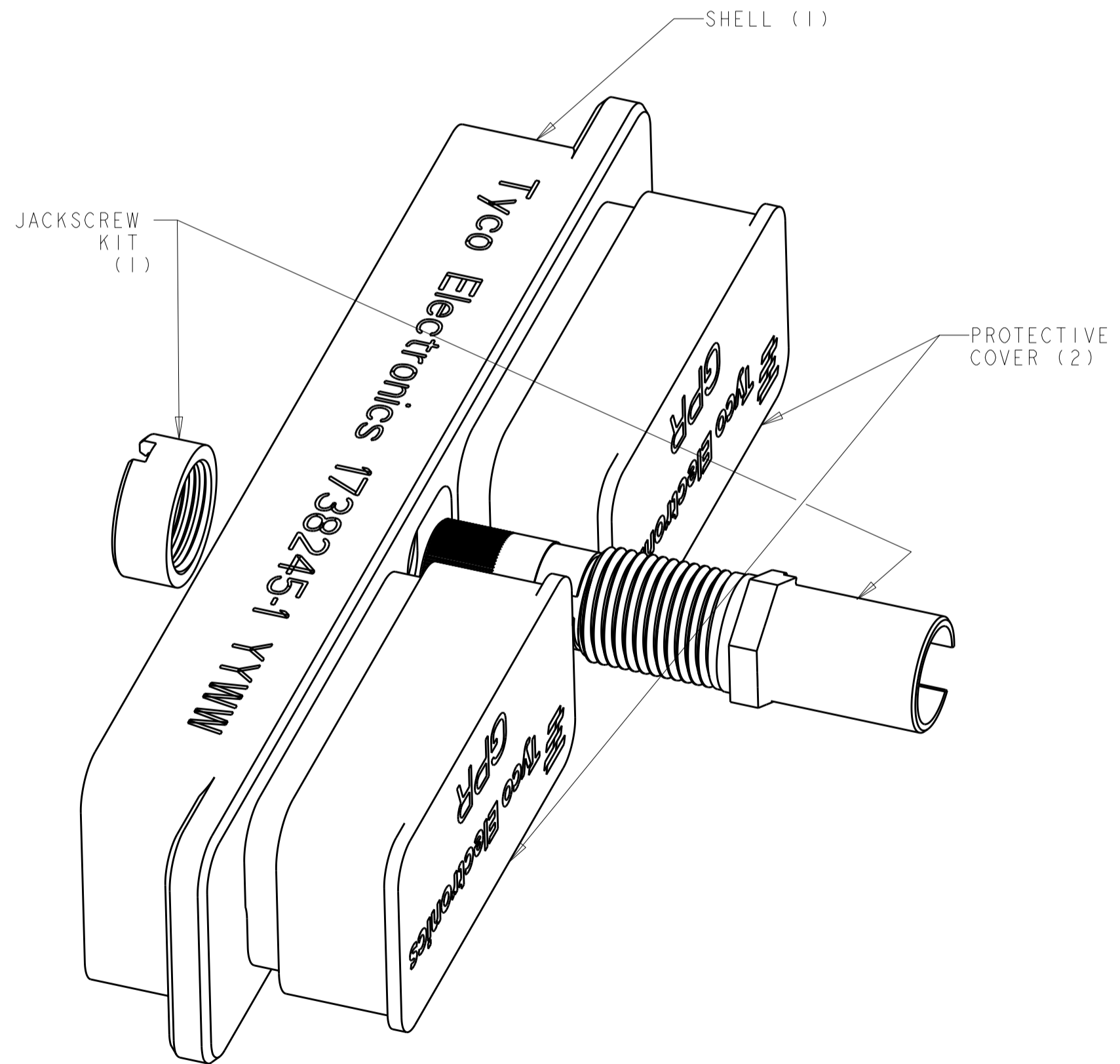
1738245-1
 PART NUMBER

| | | | | |
|---|-------------|------------------|---|--|
| THIS DRAWING IS A CONTROLLED DOCUMENT FOR TYCO ELECTRONICS CORPORATION. IT IS SUBJECT TO CHANGE AND THE CONTROLLING ENGINEERING ORGANIZATION SHOULD BE CONTACTED FOR THE LATEST REVISION. | | DWN: BH 40CT06 | Tyco Electronics Harrisburg, PA 17105-3608 | |
| DIMENSIONS: mm | | CHK: JPM 40CT06 | NAME: PLUG SHELL KIT, WITH A-F JACKSCREW, GPRB2 | |
| TOLERANCES UNLESS OTHERWISE SPECIFIED: | | APVD: JPM 40CT06 | SIZE: A200779 C-1738245 | |
| 0 PLC ± | 1 PLC ±0.1 | PRODUCT SPEC | DRAWING NO: 1738245 | |
| 2 PLC ±0.05 | 3 PLC ± | APPLICATION SPEC | RESTRICTED TO: - | |
| 4 PLC ± | ANGLES ±1 | WEIGHT: - | SCALE: 1:1 | |
| MATERIAL: 1 - | FINISH: 2 - | CUSTOMER DRAWING | SHEET 1 OF 2 REV A | |

THIS DRAWING IS UNPUBLISHED. RELEASED FOR PUBLICATION
 © COPYRIGHT BY TYCO ELECTRONICS CORPORATION. ALL RIGHTS RESERVED.

| LOC | | DIST | | REVISIONS | | | |
|-----|-----|-------------|------|-----------|------|--|--|
| P | LTR | DESCRIPTION | DATE | DWN | APVD | | |
| - | - | SEE SHEET 1 | - | - | - | | |

- ① SHELL: ALUMINUM ALLOY 6061 T651
 INSERT RETENTION CLIP & JACKSCREW SLEEVE: COPPER ALLOY PER ASTM B194
 JACKSCREW KEY, CENTER LOCK, & RETAINING NUT: STAINLESS STEEL PER AISI 316
 PROTECTIVE COVER: THERMOPLASTIC ELASTOMER
- ② SHELL: ELECTROLESS NICKEL PER SAE AMS-C-26074, CLASS 1.
- ③ MARKED WITH TE LOGO, PART NO. & DATE CODE - YEAR & WEEK (YY WW)
- ④ INDEXING POINT FOR POLARIZATION.
- ⑤ SHELL CAVITY FOR GPRB SERIES INSERTS WITH KEYING CODE A.
- ⑥ SHELL CAVITY FOR GPRB SERIES INSERTS WITH KEYING CODE B.
- ⑦ PROTECTIVE COVERS NOT SHOWN FOR CLARITY.
- ⑧ THE JACKSCREW AND RETAINING NUT ARE SHIPPED UNASSEMBLED.
 THE CUSTOMER SHALL APPLY LOCTITE® PRODUCT 272 THREADLOCKING ADHESIVE
 WHEN INSTALLING THESE ON THE SHELL ASSEMBLY. LOCTITE® IS A
 REGISTERED TRADEMARK OF HENKEL CORPORATION.
- ⑨ THE JACKSCREW KIT, TE P/N 1738205-1, IS ALSO AVAILABLE SEPARATELY.
- ⑩ A SPANNER WRENCH TOOL, TE P/N 1738220-1 (WITH 1/4-in ADAPTER)
 OR 1738221-1 (WITH T-HANDLE), IS USED TO LOCK THE RETAINING NUT.
 RECOMMENDED LOCKING TORQUE: 1.5 N-m [13 in-lb].



- 11. DESCRIPTIVE PART NUMBER: GPRB2PB12N
 SERIES: GPRB
 SHELL SIZE: 2 (TWO-CAVITY SHELL)
 SHELL STYLE: P (PLUG)
 MODIFICATION CODE: B (NO MOUNTING HOLES)
 LOCKING & POLARIZING DEVICE: 1 (JACKSCREW)
 POLARIZATION CODE: 2 (A-FJACKSCREW HARDWARE SHIPPED UNASSEMBLED)
 SHELL PLATING: N (NICKEL PLATING)
- 12. THIS PRODUCT IS SOLD BY TYCO ELECTRONICS UNDER A LICENSE FROM RADIAL SA.

SCALE 3:1

| | | | | | | |
|---|-------|------------------|--------|--|---|---|
| <small>THIS DRAWING IS A CONTROLLED DOCUMENT FOR TYCO ELECTRONICS CORPORATION IT IS SUBJECT TO CHANGE AND THE CONTROLLING ENGINEERING ORGANIZATION SHOULD BE CONTACTED FOR THE LATEST REVISION.</small> | | DWN | 40CT06 | | Tyco Electronics Harrisburg, PA 17105-3608 | |
| DIMENSIONS: | | CHK | 40CT06 | | | |
| mm | | APVD | 40CT06 | | | |
| | | PRODUCT SPEC | | | | |
| TOLERANCES UNLESS OTHERWISE SPECIFIED: | | APPLICATION SPEC | | | NAME | PLUG SHELL KIT, WITH A-F JACKSCREW, GPRB2 |
| 0 PLC | ± | WEIGHT | - | | SIZE | A200779 |
| 1 PLC | ±0.1 | CUSTOMER DRAWING | | | CAGE CODE | C-1738245 |
| 2 PLC | ±0.05 | SCALE | 1:1 | | DRAWING NO | 1738245 |
| 3 PLC | ± | SHEET | 2 OF 2 | | RESTRICTED TO | - |
| 4 PLC | ± | REV | A | | | |
| ANGLES | ±1 | | | | | |
| FINISH | | | | | | |

单击下面可查看定价，库存，交付和生命周期等信息

[>>TE Connectivity\(泰科\)](#)