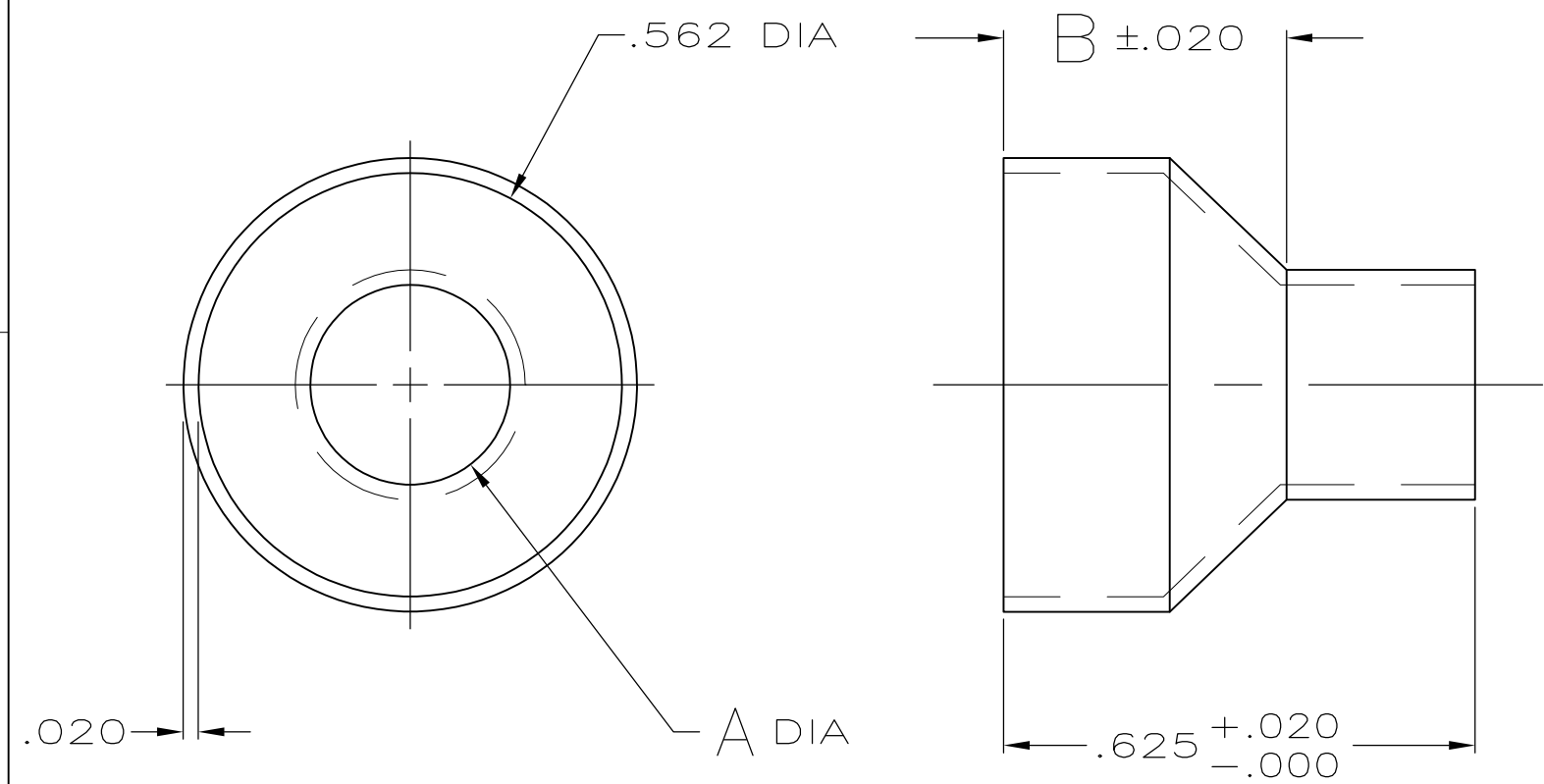
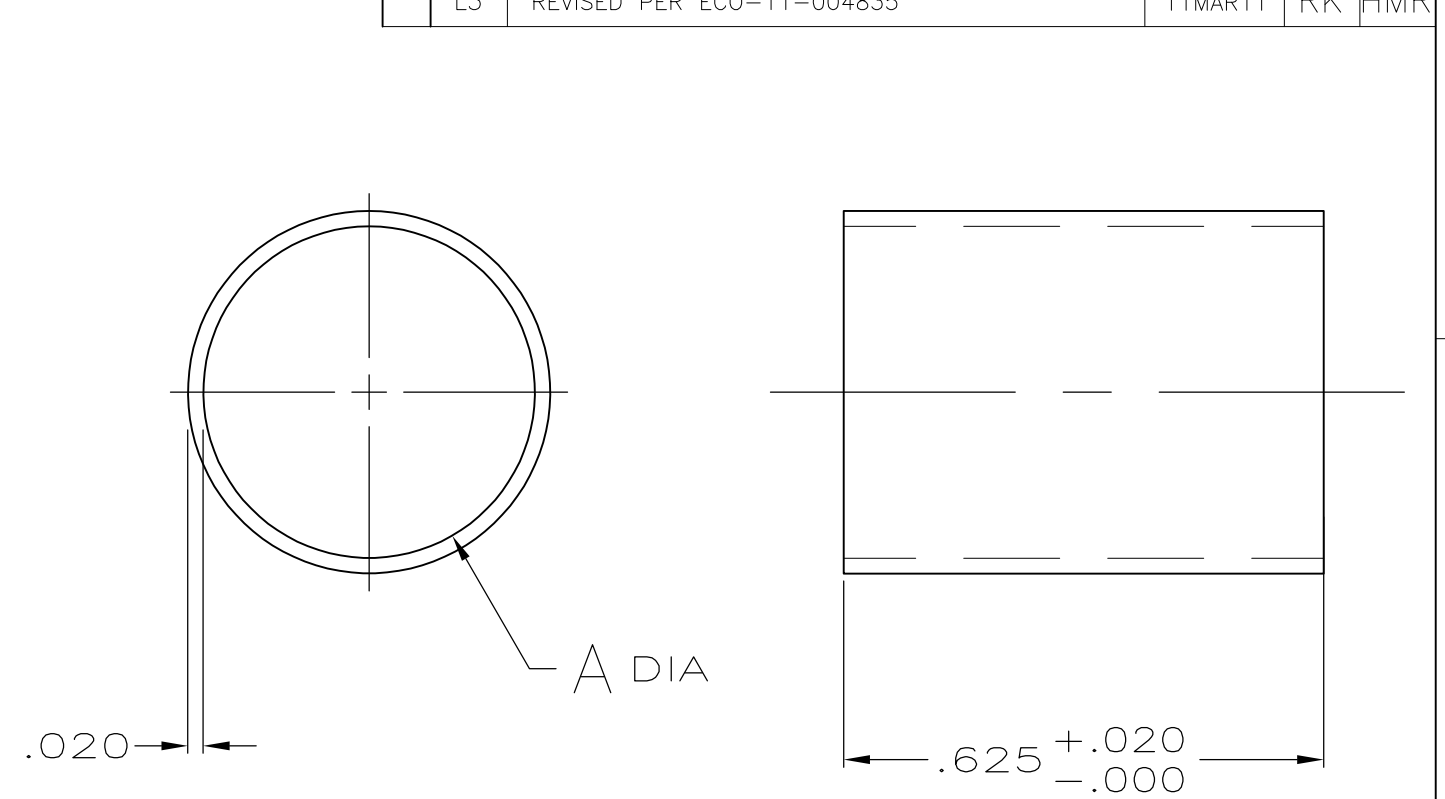


THIS DRAWING IS UNPUBLISHED. RELEASED FOR PUBLICATION  
 © COPYRIGHT - By - ALL RIGHTS RESERVED.

LOC	DIST	REVISIONS					
GP	00	P	LTR	DESCRIPTION	DATE	DWN	APVD
		L3		REVISED PER ECO-11-004835	11MAR11	RK	HMR



STYLE I (STEPPED)



STYLE II (STRAIGHT)

① .000100 MIN BRIGHT TIN-LEAD OVER .000100 MIN COPPER.  
 ② .000100 MIN BRIGHT TIN OVER .000100 MIN COPPER.

	②	I	.422-.490	.375	.490	3-747580-1
	②	I	.230-.265	.375	.265	2-747580-4
	②	I	.338-.385	.375	.385	2-747580-3
	②	I I	.480-.562	-	.562	2-747580-2
	②	I	.375-.432	.375	.432	2-747580-1
OBSOLETE	①	I	.230-.265	.375	.265	1-747580-0
OBSOLETE	①	I	.338-.385	.375	.385	747580-8
OBSOLETE	①	I I	.480-.562	-	.562	747580-6
OBSOLETE	①	I	.422-.490	.375	.490	747580-5
OBSOLETE	①	I	.375-.432	.375	.432	747580-4
	FINISH	STYLE	INSULATION RANGE DIA	B	A	PART NUMBER

THIS DRAWING IS A CONTROLLED DOCUMENT.		DWN B. MCMASTER 21MAY04	TE Connectivity				
DIMENSIONS: INCHES		CHK J. GERACE 21MAY04					
TOLERANCES UNLESS OTHERWISE SPECIFIED:		APVD M. WALMSLEY 21MAY04	NAME				
0 PLC ± - 1 PLC ± - 2 PLC ± - 3 PLC ± .005 4 PLC ± - ANGLES ± -		PRODUCT SPEC	OUTER FERRULE, SIZE 4 AND 5, AMPLIMITE SHIELDING HARDWARE				
MATERIAL: STEEL, ANNEALED		FINISH: SEE TABLE	APPLICATION SPEC	SIZE	CAGE CODE	DRAWING NO	RESTRICTED TO
			WEIGHT: -	A3	00779	C-747580	-
CUSTOMER DRAWING			SCALE: 4:1	SHEET: 1 OF 1	REV: L3		

单击下面可查看定价，库存，交付和生命周期等信息

[>>TE Connectivity\(泰科\)](#)