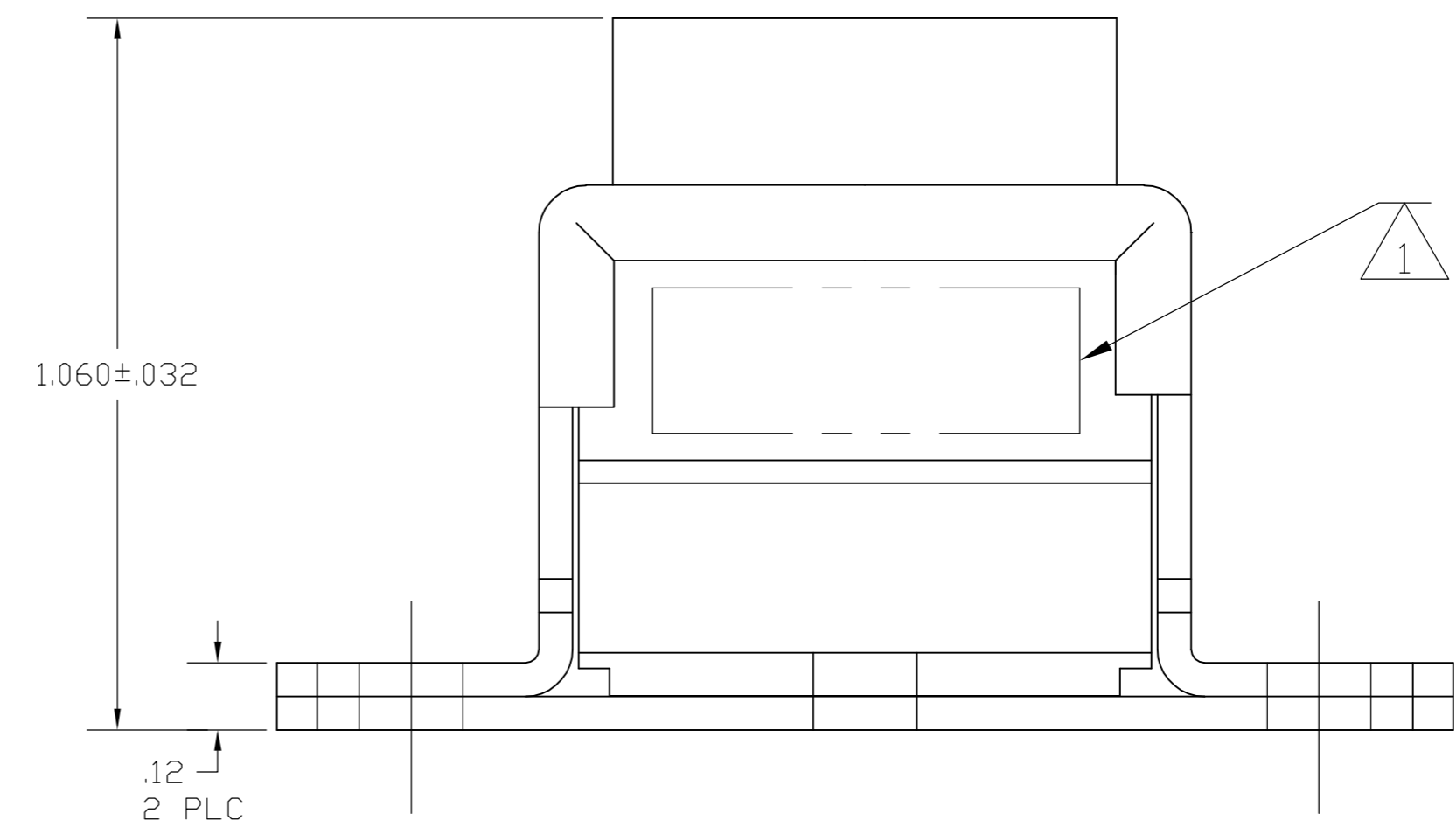
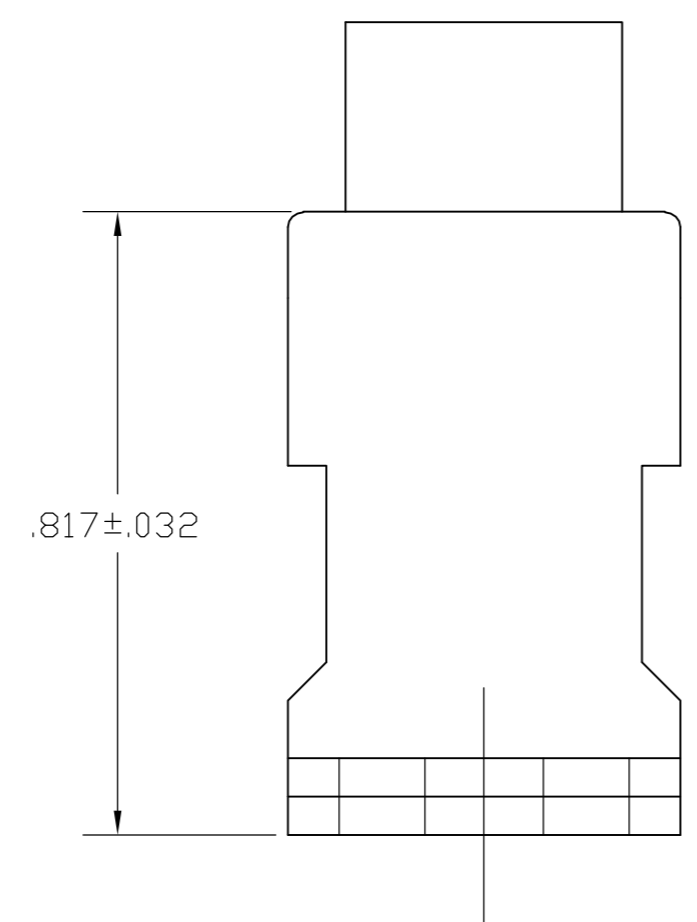
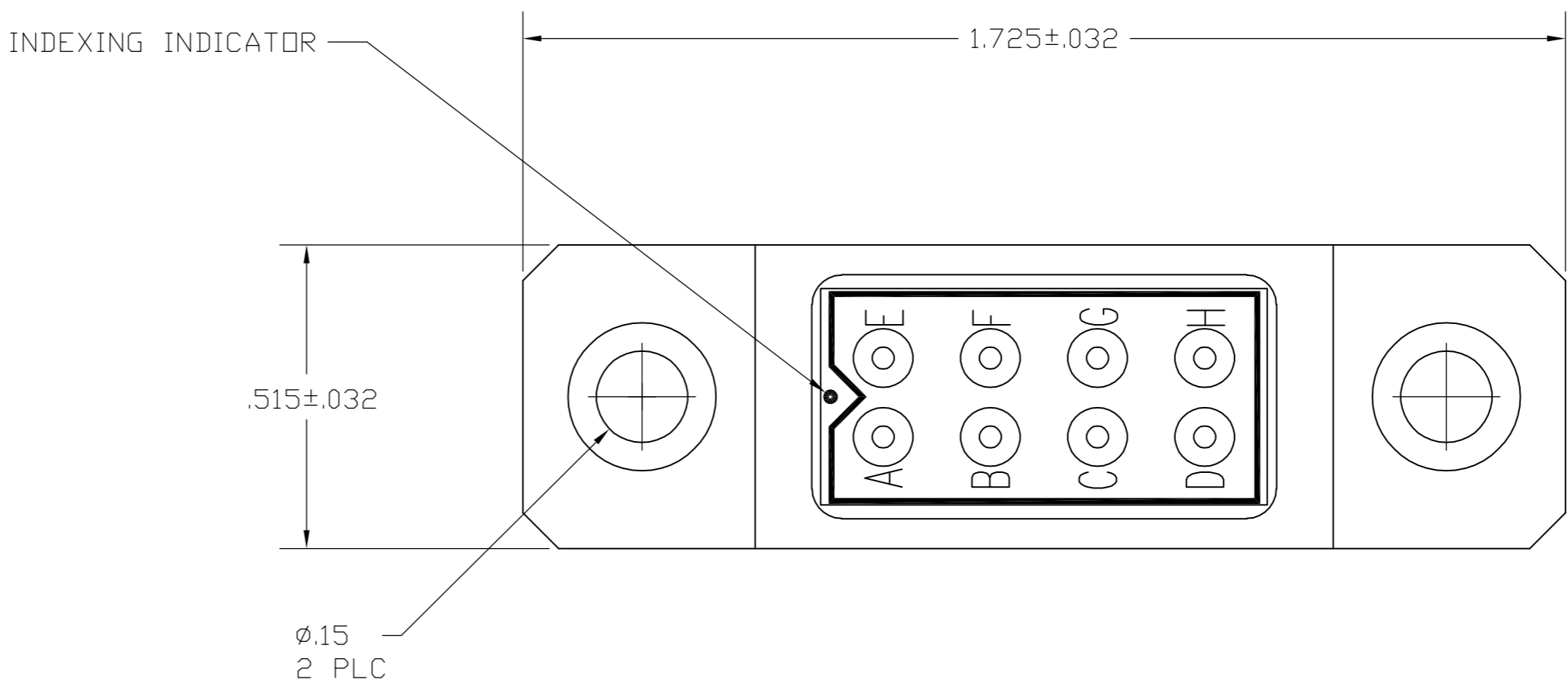


THIS DRAWING IS UNPUBLISHED.		RELEASED FOR PUBLICATION
© COPYRIGHT BY TYCO ELECTRONICS CORPORATION. ALL RIGHTS RESERVED.		
DESCRIPTION	MATERIAL	FINISH
GROMMET	FLUID RESISTANT SILICONE	COLOR: GREEN
MODULE ASSEMBLY	D.A.P. PER MIL-M-14 TYPE SDG-F	COLOR: GREEN
CONTACT, SOCKET ASSEMBLY	BERYLLIUM COPPER PER ASTM-B194	GOLD PLATE PER MIL-G-45204
CLIP CONTACT RETAINING	BERYLLIUM COPPER PER ASTM-B194 OR SST PER QQ-S-766	NONE
BRACKET / GROUNDING PLATE	AL-ALLOY 6061-T4	NICKEL PLATE PER QQ-N-290
CONTACTS	COPPER ALLOY PER MIL-C-32029/1	GOLD PLATE PER MIL-G-45204
SEALING PLUGS	F.E.P. PER MIL-P-19468	COLOR: BLUE

LDC		DIST		REVISIONS			
DF	AO	P	LTR	DESCRIPTION	DATE	DWN	APVD
		C		REV PER ECD 07-001386	1-19-07	CT	DE



- 1 ASSEMBLIES ARE IDENTIFIED WITH "AMP", AMP P/N AND DATE CODE ON MODULE AT AREA SHOWN.
- 2 CONTACTS AND SEALING PLUGS SUPPLIED WITH MODULE ASSEMBLY.

592830-2
2 592830-1
PART NUMBER

THIS DRAWING IS A CONTROLLED DOCUMENT.		DWN	J. MECK	7-27-92	 Tyco Electronics Corporation Harrisburg, Pa 17105-3608
DIMENSIONS: INCHES		CHK	R. RYAN	8-10-93	
TOLERANCES UNLESS OTHERWISE SPECIFIED:		APVD	R. RYAN	8-10-93	
0 PLC ± - 1 PLC ± - 2 PLC ± .02 3 PLC ± .005 4 PLC ± - ANGLES ± - FINISH -		NAME		-	
MATERIAL		PRODUCT SPEC		-	MODULE ASSY, GROUNDING BLOCK, SIZE 16, TJ
		APPLICATION SPEC		-	SIZE
		WEIGHT		-	A200779
		CUSTOMER DRAWING		-	CAGE CODE
		SCALE		4: 1	DRAWING NO
		SHEET		1 OF 1	RESTRICTED TO
		REV		C	-

单击下面可查看定价，库存，交付和生命周期等信息

[>>TE Connectivity\(泰科\)](#)