

THIS DRAWING IS UNPUBLISHED.

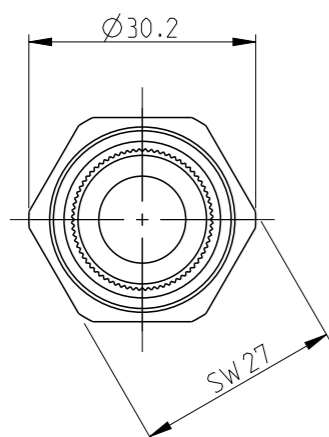
RELEASED FOR PUBLICATION

© COPYRIGHT 2000 BY -

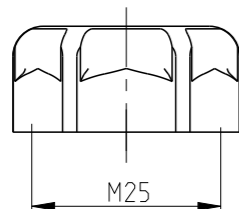
ALL RIGHTS RESERVED.

REVISIONS

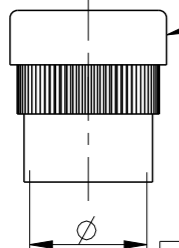
P	LTR	DESCRIPTION	DATE	DWN	APVD
B4		ECR-16-009335	09DEC2016	GCM	MKO
B5		ECR-16-015318	17AUG2017	GR	MKO
B6		REVISED PER ECR-17-014011	18JAN2018	SRG	MKO



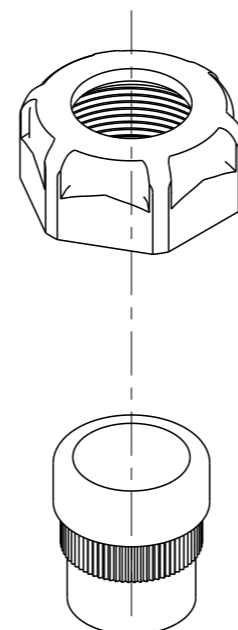
8.9



1-7



PN: 0-1 as shown



Notes

- 1 PACKAGING:
10 SETS IN A CARTON

1-6	1-5	1-4	1-3	1-2	1-1	0-7	0-6	0-5	0-4	0-3	0-2	0-1	DESCRIPTION	max./min.Ø	MATERIAL	COLOR	ITEM NO
													GLAND NUT	-	PA6.6-GF25	LIGHT-GREY	9
													GLAND NUT	-	PA6.6-GF25	BLACK	8
													SEAL INSERT	15.5	PVC	WHITE	7
													SEAL INSERT	15.5 - 11.5	PVC	WHITE	6
													SEAL INSERT	13.0 - 9.0	PVC	RED	5
													SEAL INSERT	10.5 - 7.0	PVC	GREEN	4
													SEAL INSERT	9.5 - 6.5	PVC	BLACK	3
													SEAL INSERT	8.0 - 5.0	PVC	GREY	2
													SEAL INSERT	6.5 - 4.0	PVC	YELLOW	1

HG-Q8.M25.15.5/11.5 grey	HG-Q8.M25.13.0/9.0 grey	HG-Q8.M25.10.5/7.0 grey	HG-Q8.M25.9.5/6.5 grey	HG-Q8.M25.8.0/5.0 grey	HG-Q8.M25.6.5/4.0 grey	HG-Q8.M25.15.5/11.5.S0	HG-Q8.M25.15.5/11.5	HG-Q8.M25.13.0/9.0	HG-Q8.M25.10.5/7.0	HG-Q8.M25.9.5/6.5	HG-Q8.M25.8.0/5.0	HG-Q8.M25.6.5/4.0					
--------------------------	-------------------------	-------------------------	------------------------	------------------------	------------------------	------------------------	---------------------	--------------------	--------------------	-------------------	-------------------	-------------------	--	--	--	--	--

THIS DRAWING IS A CONTROLLED DOCUMENT.

DIMENSIONS: mm

TOLERANCES UNLESS OTHERWISE SPECIFIED:
 n.ISO 8015:
 n.ISO 2768-MH-E:
 n.DIN 16901-120

0 PLC ±
 1 PLC ±
 2 PLC ±
 3 PLC ±
 4 PLC ±
 ANGLES ±
 FINISH -

MATERIAL

DWN	Schneider	23.11.04
CHK	Schweiger	31.01.05
APVD	T. Schnurpfel	31.01.05
PRODUCT SPEC	108-74052	
APPLICATION SPEC	114-74064	
WEIGHT	0.006 KG	

STE TE Connectivity

NAME: SET GLAND M 25 SERIES HG-Q

SIZE	CAGE CODE	DRAWING NO	RESTRICTED TO
A3	00779	C=1103074	

CUSTOMER DRAWING SCALE 1:1 SHEET 1 OF 1 REV B6

单击下面可查看定价，库存，交付和生命周期等信息

[>>TE Connectivity\(泰科\)](#)