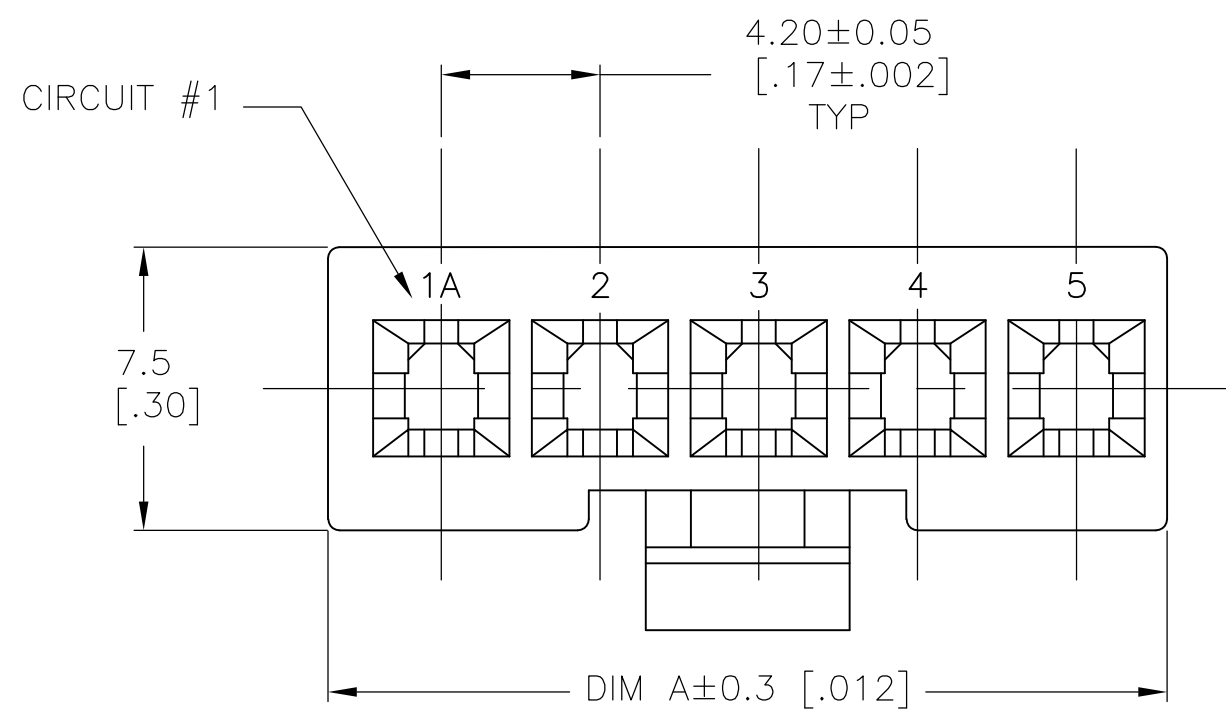
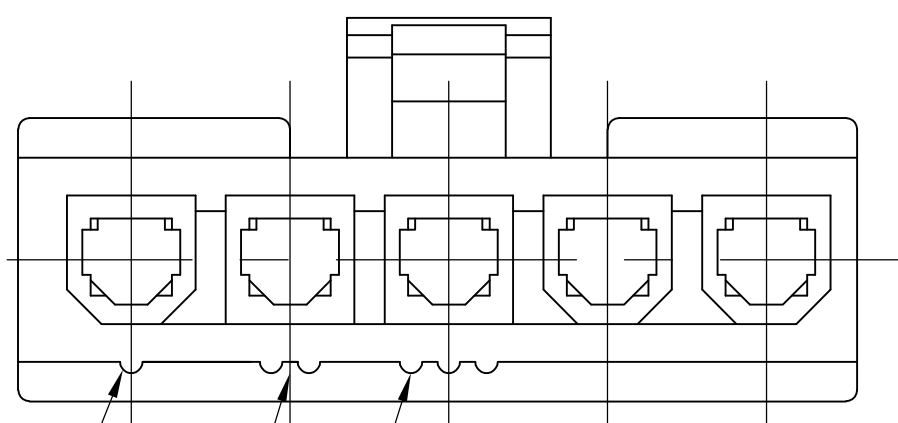
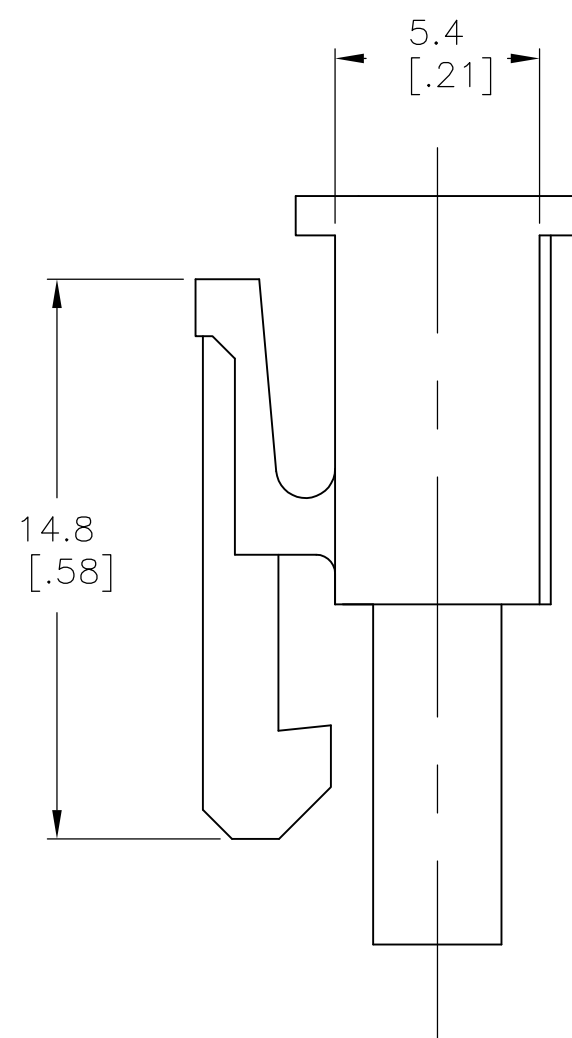
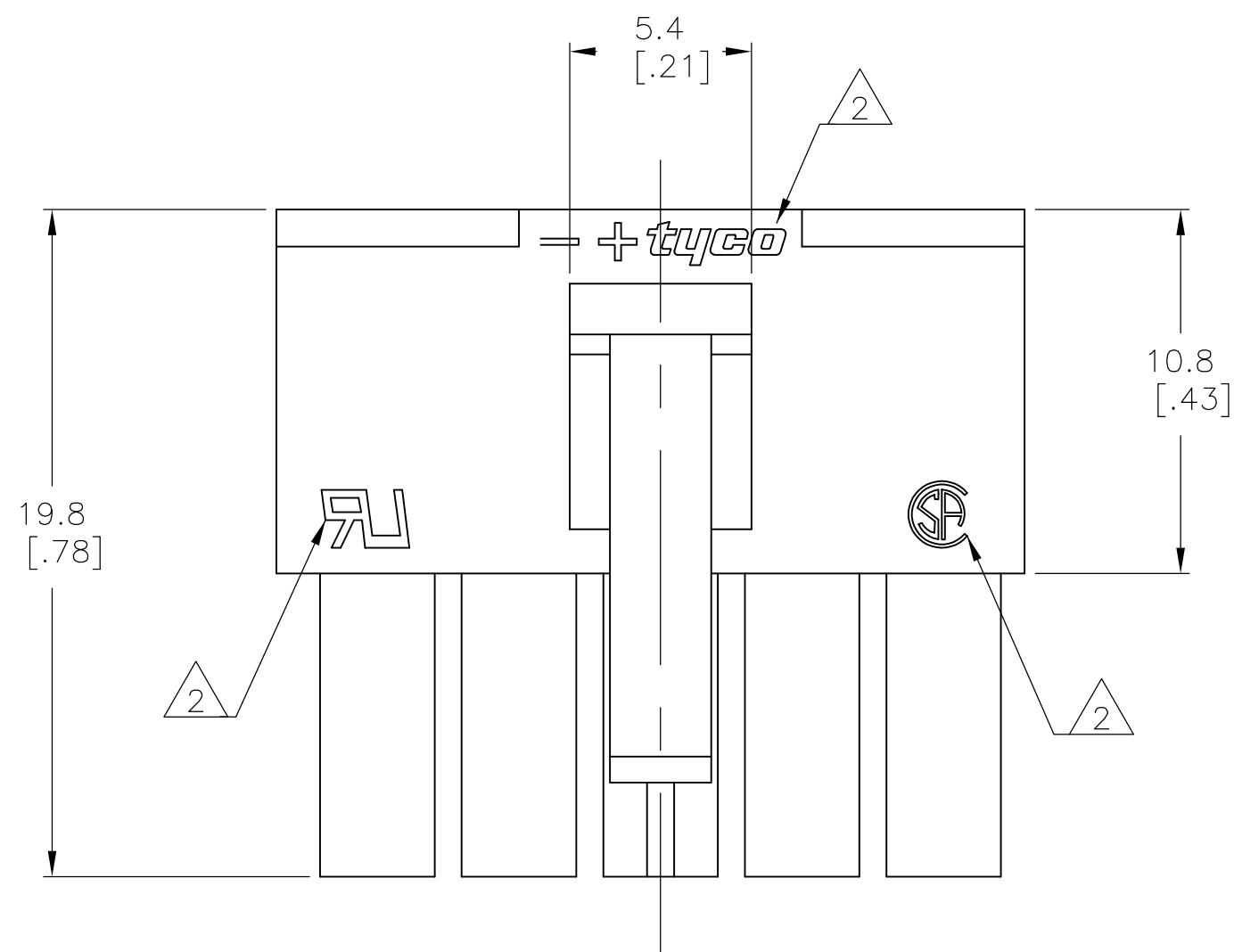


THIS DRAWING IS UNPUBLISHED. RELEASED FOR PUBLICATION
 © COPYRIGHT BY TYCO ELECTRONICS CORPORATION. ALL INTERNATIONAL RIGHTS RESERVED.

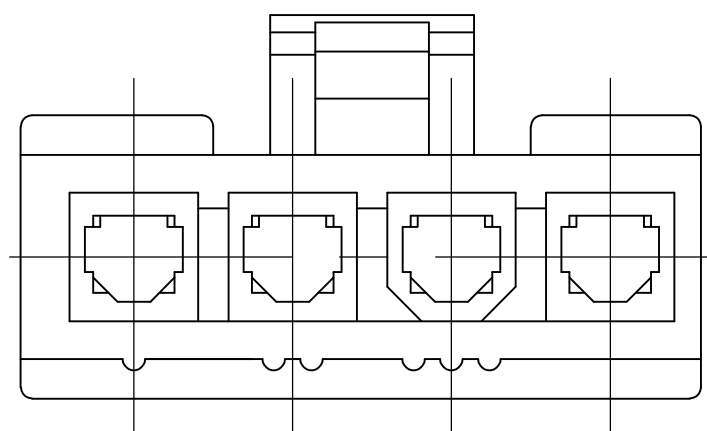
LOC		DIST		REVISIONS			
P	LTR	DESCRIPTION	DATE	DWN	APVD		
CM	00	E	REVISED PER ECO-08-031188	06JAN09	HMR	CC	



- 1 MATERIAL : NYLON 66 UL94V-0
- 2 TE LOGO, UL LOGO, AND CSA LOGO-SIZE, LOCATION, AND ORIENTATION OPTIONAL.



1ST CIRCUIT
 2ND CIRCUIT
 3RD CIRCUIT



4 POSITION MATING FACE
 (FOR POLARIZATION IDENTIFICATION)

METRIC

SUPERCEDED BY 2029208-4	BLACK	18.0 [.71]	4	1-1586027-9
	WHITE	22.2 [.87]	5	1586027-5
	WHITE	18.0 [.71]	4	1586027-4
	COLOR	DIM A	POS	PART NUMBER

THIS DRAWING IS A CONTROLLED DOCUMENT.		DWN K.WHITAKER 09DEC03	Tyco Electronics Corporation	
DIMENSIONS: mm [INCHES]		CHK D. COLEY 09DEC03	Harrisburg, PA 17105-3608	
TOLERANCES UNLESS OTHERWISE SPECIFIED:		APVD D. COLEY 09DEC03	NAME	
0 PLC ± -		PRODUCT SPEC	RECEPTACLE, SINGLE ROW, VAL-U-LOK(TM)	
1 PLC ± 0.2 [.01]		APPLICATION SPEC	SIZE A2	CAGE CODE 00779
2 PLC ± -		WEIGHT -	DRAWING NO C=1586027	RESTRICTED TO -
3 PLC ± -		CUSTOMER DRAWING	SCALE 5:1	SHEET 1 of 1
4 PLC ± -				REV E
ANGLES ± -				
FINISH -				

单击下面可查看定价，库存，交付和生命周期等信息

[>>TE Connectivity\(泰科\)](#)