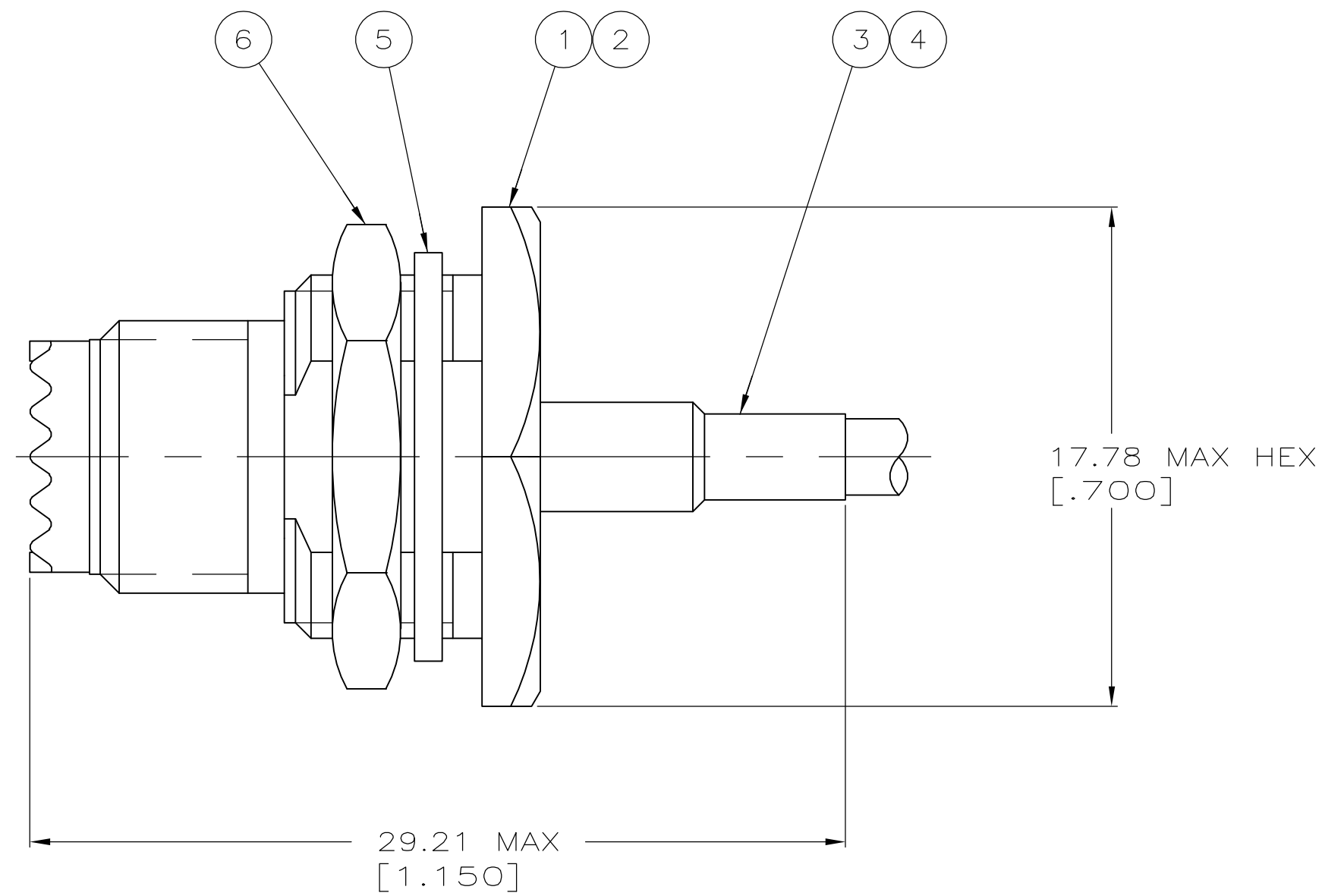
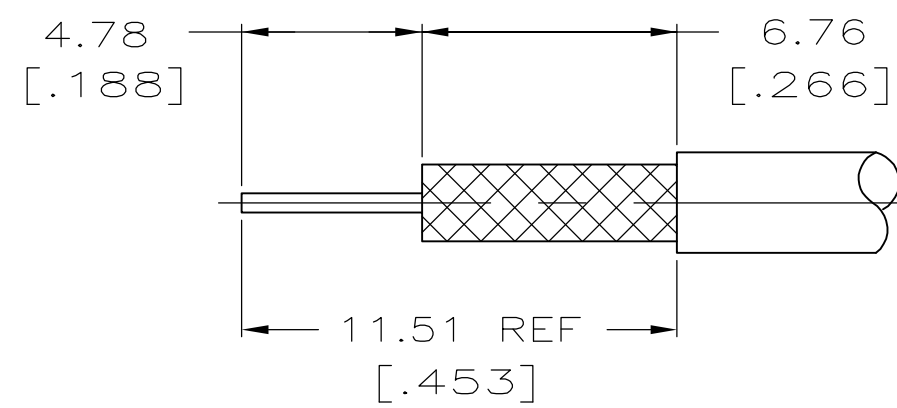


THIS DRAWING IS UNPUBLISHED. RELEASED FOR PUBLICATION  
 © COPYRIGHT BY TYCO ELECTRONICS CORPORATION. ALL RIGHTS RESERVED.

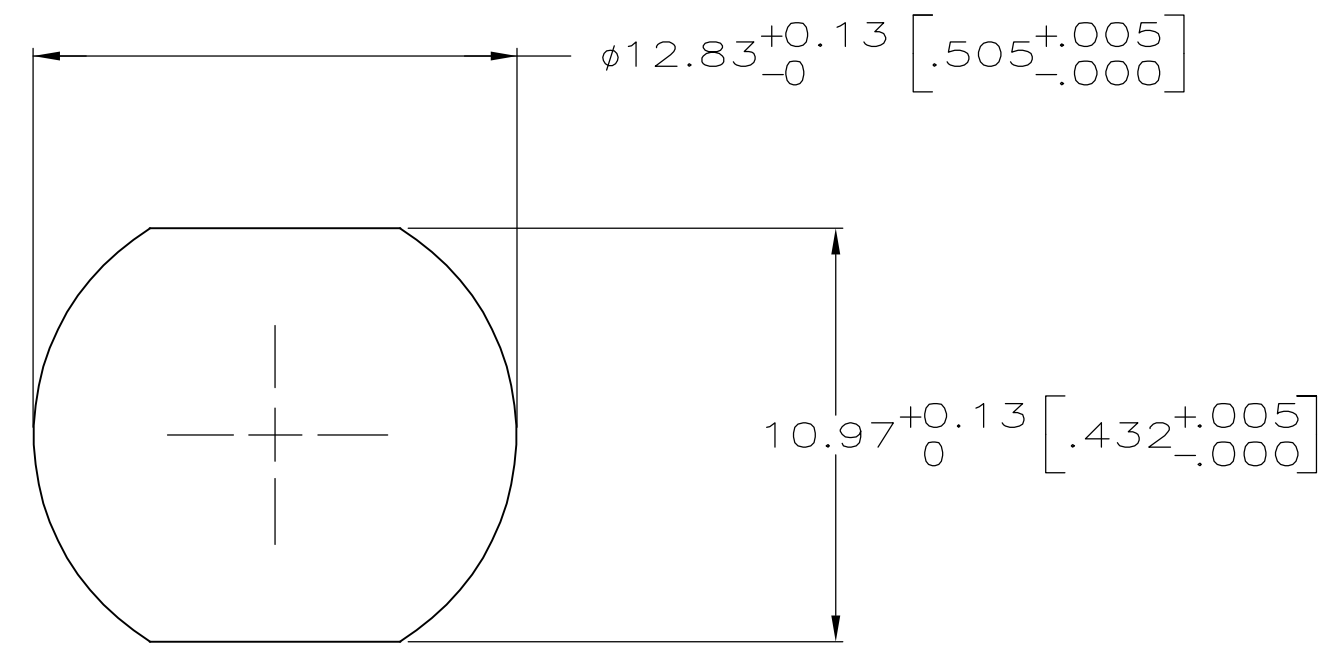
LOC	DIST	REVISIONS			
P	LTR	DESCRIPTION	DATE	DWN	APVD
AJ	00	0	RELEASED PER EC 0514-0187-05	20OCT05	BM GM



1. FOR USE WITH RG-188/U CABLE
2. USE CRIMPING TOOL 59983-1
3. SEE I.S. 2578



RECOMMENDED STRIP LENGTH



RECOMMENDED PANEL CUT OUT

1-329631-2	1-329632-2	21427-1	9-328666-0	9-228668-0	228666-1	5228665-2
⑥ JAM NUT QTY=1	⑤ LOCKWASHER QTY=1	④ BUSHING QTY=1	③ FERRULE QTY=1	② CONTACT QTY=1	① JACK ASS'Y QTY=1	PART NUMBER

THIS DRAWING IS A CONTROLLED DOCUMENT.		DWN B. MCMASTER 20OCT05	Tyco Electronics Corporation Harrisburg, PA 17105-3608																						
DIMENSIONS: mm [INCHES]		CHK G. MICHAEL 20OCT05																							
TOLERANCES UNLESS OTHERWISE SPECIFIED:		APVD G. MICHAEL 20OCT05	NAME JACK, BULKHEAD, MINIATURE UHF																						
<table border="0"> <tr><td>0 PLC</td><td>±</td><td>-</td></tr> <tr><td>1 PLC</td><td>±</td><td>-</td></tr> <tr><td>2 PLC</td><td>±</td><td>0.41 [.016]</td></tr> <tr><td>3 PLC</td><td>±</td><td>-</td></tr> <tr><td>4 PLC</td><td>±</td><td>-</td></tr> <tr><td>ANGLES</td><td>±</td><td>-</td></tr> <tr><td>FINISH</td><td>-</td><td>-</td></tr> </table>		0 PLC	±	-	1 PLC	±	-	2 PLC	±	0.41 [.016]	3 PLC	±	-	4 PLC	±	-	ANGLES	±	-	FINISH	-	-	PRODUCT SPEC -	SIZE A2	CAGE CODE 00779
0 PLC	±	-																							
1 PLC	±	-																							
2 PLC	±	0.41 [.016]																							
3 PLC	±	-																							
4 PLC	±	-																							
ANGLES	±	-																							
FINISH	-	-																							
MATERIAL -		APPLICATION SPEC -	DRAWING NO C=5228665	RESTRICTED TO -																					
		WEIGHT -	SCALE 5:1	SHEET 1 of 1																					
		CUSTOMER DRAWING	REV 0																						

单击下面可查看定价，库存，交付和生命周期等信息

[>>TE Connectivity\(泰科\)](#)