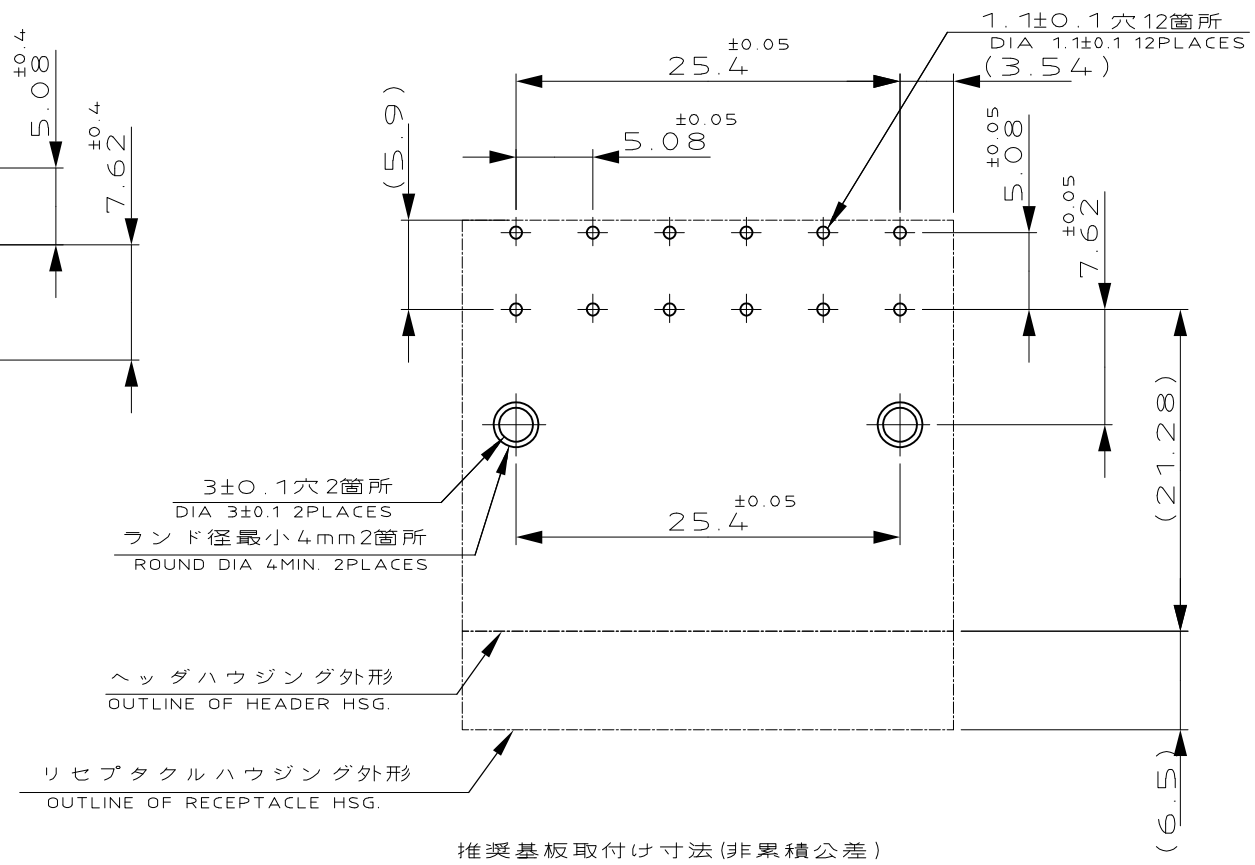
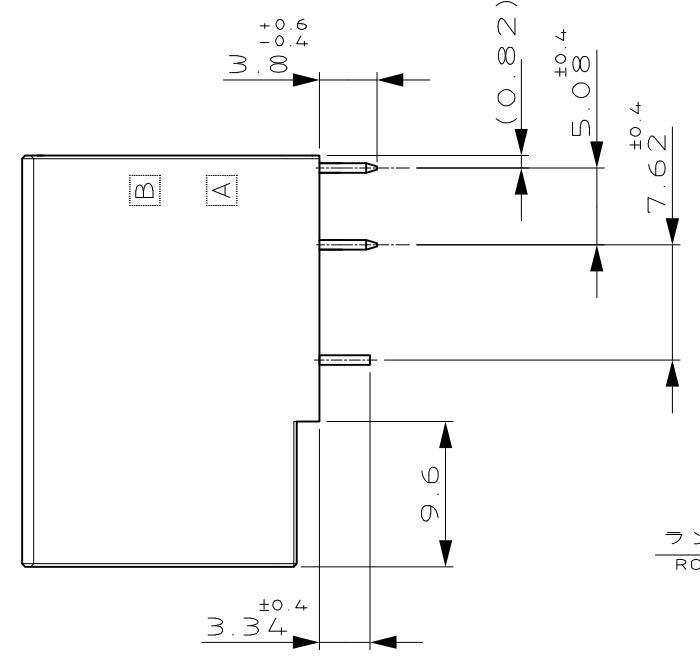
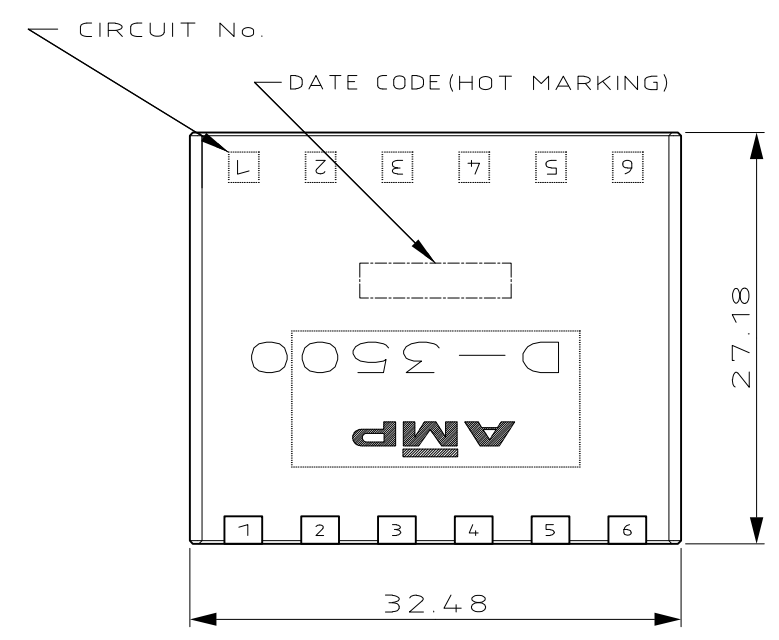
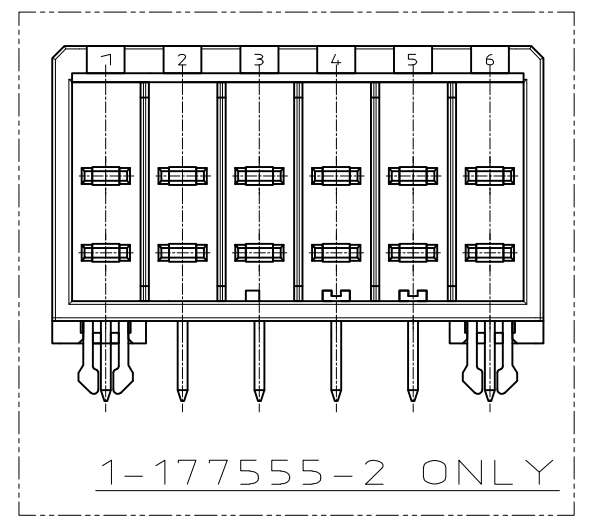
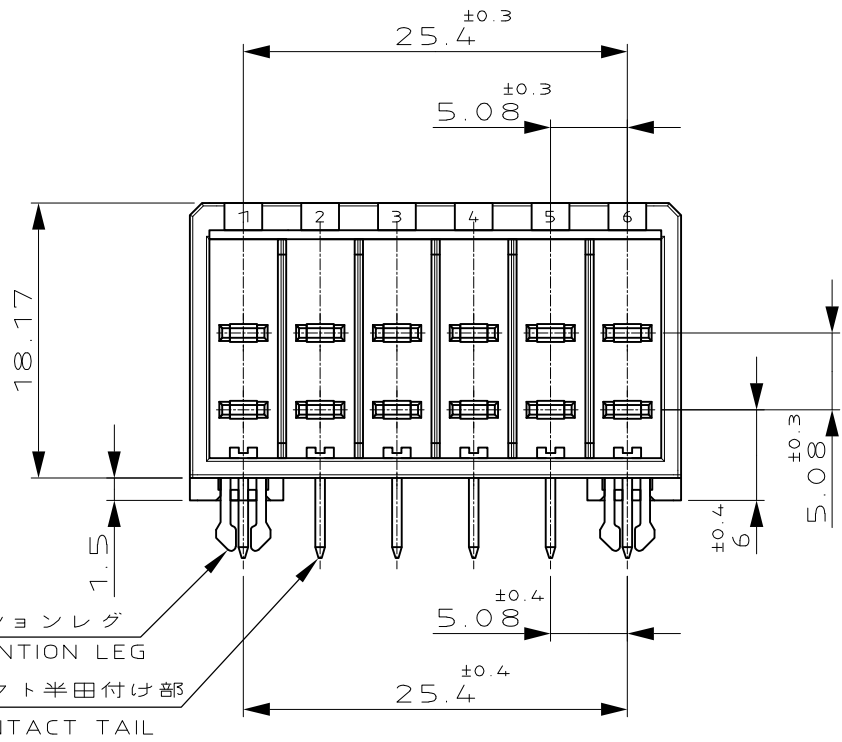


REVISIONS					
P	LTR	DESCRIPTION	DATE	DWN	APVD
E		REVISED PER ECR-17-002262	28FEB2017	K.T	E.T



推奨基板取付け寸法 (非累積公差)
 RECOMMEND PC BOARD HOLE (NOT ACCUMULATE TOLERANCE)
 PC BOARD THICKNESS: 1.6±0.1
 基板厚: 1.6±0.1



- 1 材料: 熱可塑性ポリエステル樹脂(ガラス入り)
 色: 黒
 2 製品規格: 108-5349
 3 製品認定報告書: 501-5013
 ▲ 接触部仕上げ: ニッケル下地 0.38μm MIN. 金メッキ
 ▲ 接触部仕上げ: ニッケル下地 0.76μm MIN. 金メッキ
 ▲ 接触部仕上げ: ニッケル下地 2.0μm MIN. 金メッキ
 ▲ レグおよび脚部仕上げ: ニッケル下地半田メッキ
 ▲ レグおよび脚部仕上げ: ニッケル下地スズメッキ
- 1 MATERIAL: GLASS FIELD THERMO PLASTIC, POLYESTER.
 COLOR: BLACK
 2 PRODUCT SPEC: 108-5349
 3 QUALIFICATION TEST REPORT: 501-5013
 ▲ FINISH (CONTACT AREA): 0.38μm MIN. GOLD PLT. OVER NICKEL.
 ▲ FINISH (CONTACT AREA): 0.76μm MIN. GOLD PLT. OVER NICKEL.
 ▲ FINISH (CONTACT): 2.0 μm MIN. TIN PLT. OVER NICKEL.
 ▲ FINISH (RETENTION LEG AND CONTACT TAIL): TIN LEAD PLT. OVER NICKEL.
 ▲ FINISH (RETENTION LEG AND CONTACT TAIL): TIN PLT. OVER NICKEL.

⑧	⑥	-5
⑧	⑤	-3
⑧	④	177555-2
⑧	④	1-177555-2
FINISH		PART NUMBER

THIS DRAWING IS A CONTROLLED DOCUMENT.

DIMENSIONS: mm	TOLERANCES UNLESS OTHERWISE SPECIFIED: ±0.3	DWN T-YONEBAYASHI 7/7/'92	TE Connectivity DYNAMIC(D-3500) 12 POS. HDR. ASS'Y
	0-PLC ±	CHK S.MANABE 6/AUG/'92	
	1-PLC ±	APVD S.MANABE 6/AUG/'92	
MATERIAL SEE NOTE	2-PLC ±	NAME	
	3-PLC ±	PRODUCT SPEC	RESTRICTED TO
	4-PLC ±	APPLICATION SPEC	SIZE CAGE CODE DRAWING NO
	ANGLES ±3'	WEIGHT	A3 00779 C-177555
	FINISH	CUSTOMER DRAWING	SCALE 1:2 SHEET 1 OF 1 REV E

单击下面可查看定价，库存，交付和生命周期等信息

[>>TE Connectivity\(泰科\)](#)