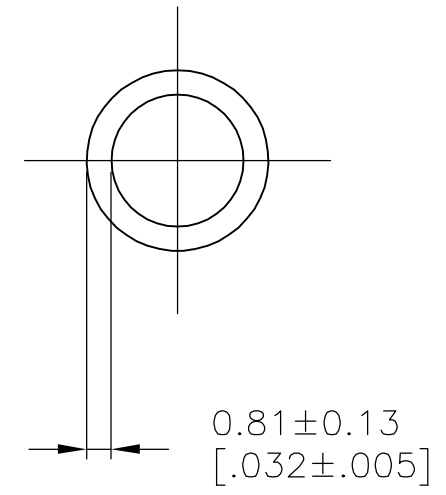
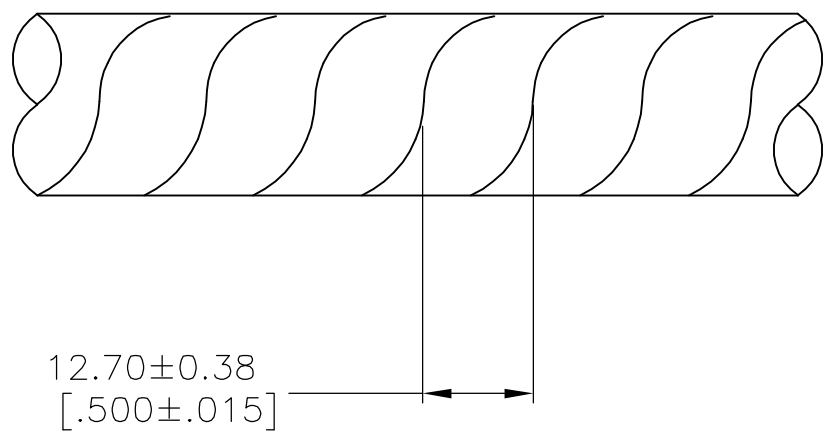


THIS DRAWING IS UNPUBLISHED. RELEASED FOR PUBLICATION
 © COPYRIGHT BY TYCO ELECTRONICS CORPORATION. ALL RIGHTS RESERVED.

LOC	DIST	REVISIONS					
AA	25	P	LTR	DESCRIPTION	DATE	DWN	APVD
			J2	ECO-06-017742	27JUL06	BSV	DC



1. MAX BUNDLE RANGE: 9.53[.375] TO 101.60[4.000].
2. WEIGHT PER 304.8M[1000ft]: 10.44kg[23lb].
3. SEE RESTRICTED CUSTOMER DRAWING 500037-4.
4. OVERALL LENGTH TO BE WITHIN +1 Ft -0 Ft.
5. ONE SPLICE PER BOX IS ALLOWABLE.

-	-	3
15.24M[50ft]BOX	BLACK	500037-1
LENGTH	COLOR	PART NUMBER

THIS DRAWING IS A CONTROLLED DOCUMENT.		DWN W.CHANDLER 16DEC93	Tyco Electronics Corporation Harrisburg, Pa 17105-3608	
DIMENSIONS: mm [INCHES]	TOLERANCES UNLESS OTHERWISE SPECIFIED:	CHK -	APVD D. KAAT 16DEC93	NAME SPIRAP, NYLON OUTDOOR, 1/2 INCH DIAMETER
	0 PLC ± -	PRODUCT SPEC -	APPLICATION SPEC -	RESTRICTED TO -
	1 PLC ± -			
MATERIAL NYLON	FINISH -	WEIGHT -	SIZE A3	CAGE CODE 00779
CUSTOMER DRAWING			DRAWING NO C-500037	SCALE 4:1
			SHEET 1	OF 1
			REV J2	

单击下面可查看定价，库存，交付和生命周期等信息

[>>TE Connectivity\(泰科\)](#)