

THIS DRAWING IS UNPUBLISHED. RELEASED FOR PUBLICATION  
 © COPYRIGHT 19 BY AMP INCORPORATED. ALL INTERNATIONAL RIGHTS RESERVED.

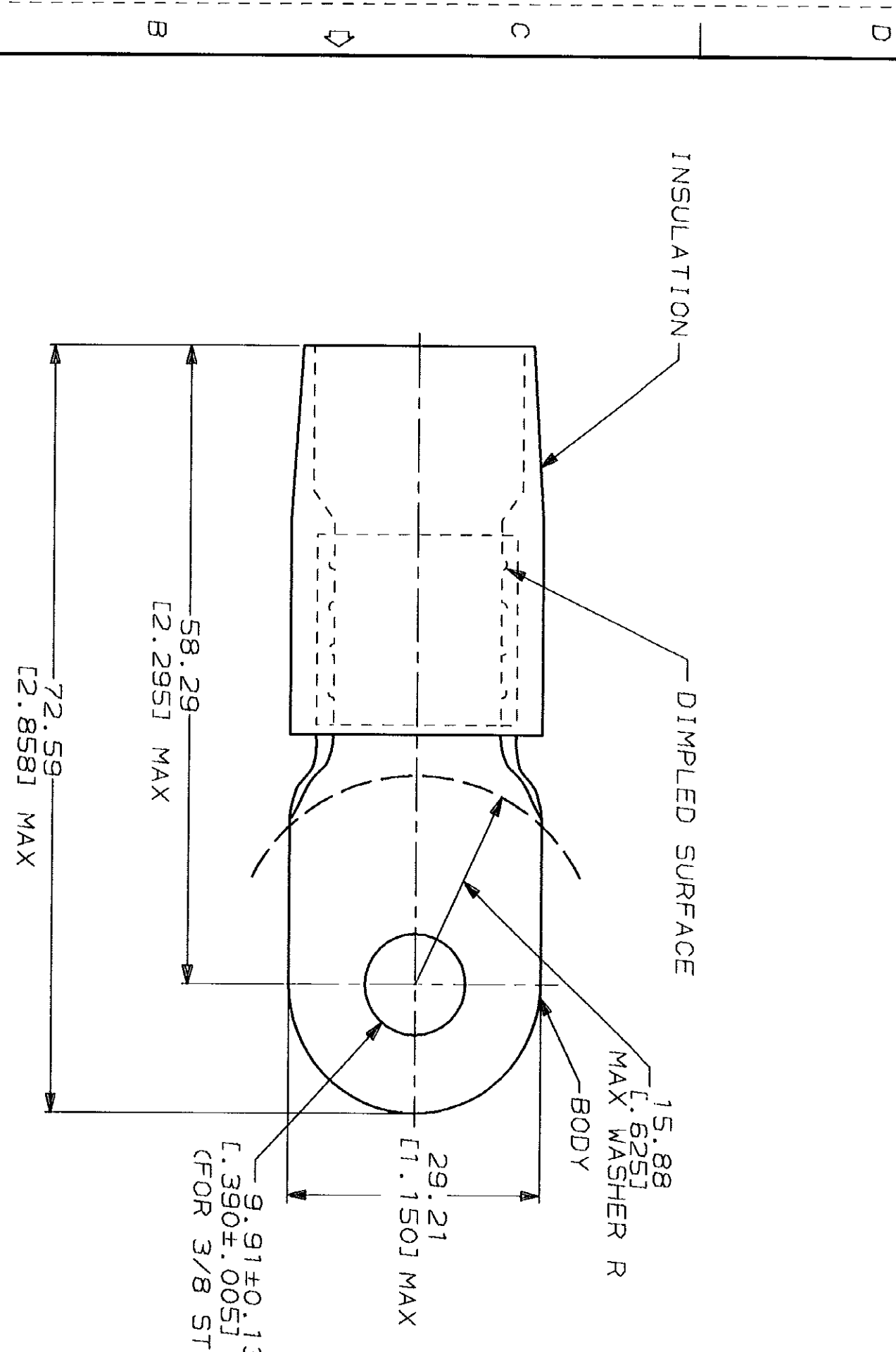
Loc	DIST	P	F	ZONE	LTR	DESCRIPTION	DATE	APPD
G	14				K	EC 0720-0279-93	6-21-93	SSB BB

REVISIONS

**AMP**  
WIRE RANGE  
4/0 AWG  
STRANDED

**METRIOR**  
DIMENSIONS LISTED IN mm [ INCHES ]

1. TONGUE MATERIAL THK 2.59±0.08[.102±.003]  
 FOR 19.43[.765] MAX WIRE INS DIA



**AMP INCORPORATED  
 CUSTOMER SERVICE SYSTEMS**

FOR ADDITIONAL PRODUCT INFORMATION OR COPIES OF DRAWINGS AND TECHNICAL DOCUMENTS	PRODUCT INFORMATION CENTER 1-800-522-6752	MAX RECOMMENDED OPERATING TEMPERATURE: 105°C	MILITARY P/N AND CLASS MS25036-140 CLASS 2
FOR APPLICATION	TOOLING ASSISTANCE CENTER 1-800-722-1111	VOLTAGE RATING: -	DO NOT SCALE PRINT. UNLESS SPECIFIED OTHERWISE. TOLERANCES ON: 2 PLC DEC # 0.20(.008) 3 PLC DEC # -
FOR ORDER ENTRY	1-800-526-5142	CIRCULAR MIL AREA: 96.3-117mm² [190,000-231,100] STRANDED	DR 6-21-93 S.S. GOULDEN CHK 6-21-93 R. HERSEY APPD 6-21-93 B. BARE APPD 6-21-93 M. ELIIS PRODUCT SPEC

FINISH TIN PLATE PER MIL-T-10727	APPLICATION SPEC	SCALE B	SIZE 00779	CAGE CODE G-324187	DRAWING NO
WEIGHT		SCALE NTS			

LOOSE PC 324187  
 PACKAGE TYPE PART NO  
**AMP** AMP Incorporated  
 Harrisburg, PA 17105-3608

TERMINAL, RING TONGUE, TERMINYL  
 WIRE SIZE: 4/0 AWG

AMP 1470-15 REV 3-92 22 JUN 1993 12:38:32 AMP1122 <UJ128A>DEPT1132>AMP1122>U.CUSTOMERINYL  
 CUSTOMER DRAWING 1 OF 1

单击下面可查看定价，库存，交付和生命周期等信息

[>>TE Connectivity\(泰科\)](#)