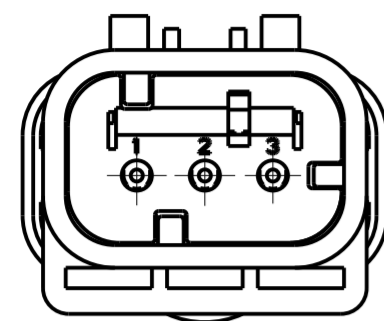
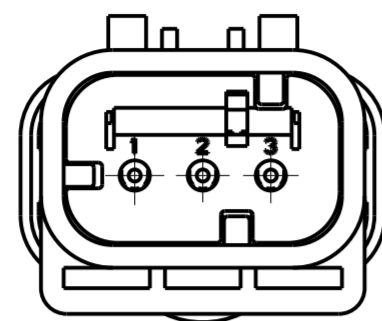


THIS DRAWING IS UNPUBLISHED  
RELEASED FOR PUBLICATION  
COPYRIGHT BY TYCO ELECTRONICS CORPORATION ALL RIGHTS RESERVED.

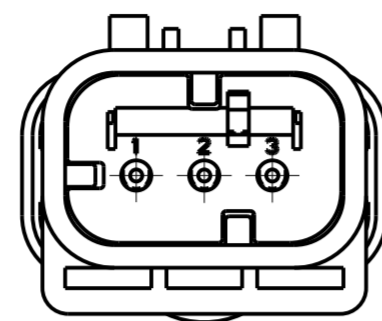
REVISIONS				
P	LTR	DESCRIPTION	DATE	APVD
D1		REVISED PER ECR-10-019377	04OCT2010	HMR TM
E		REVISED PER ECR-14-000206	26DEC2013	PV RB



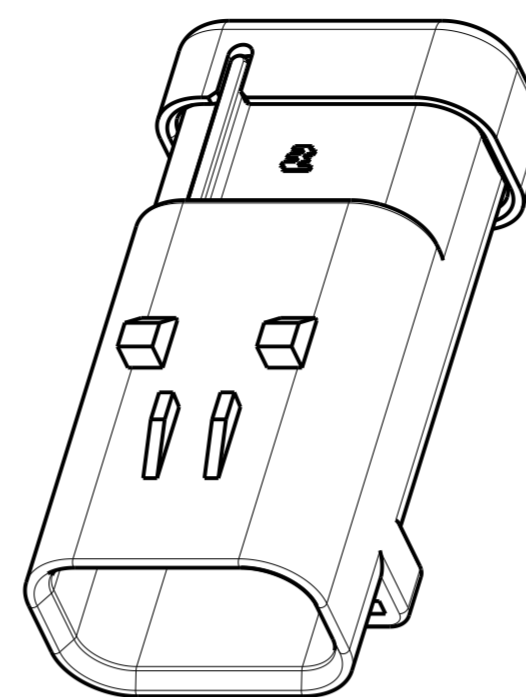
1871413-2  
SCALE 2:1



1871413-3  
SCALE 2:1



1871413-4  
SCALE 2:1

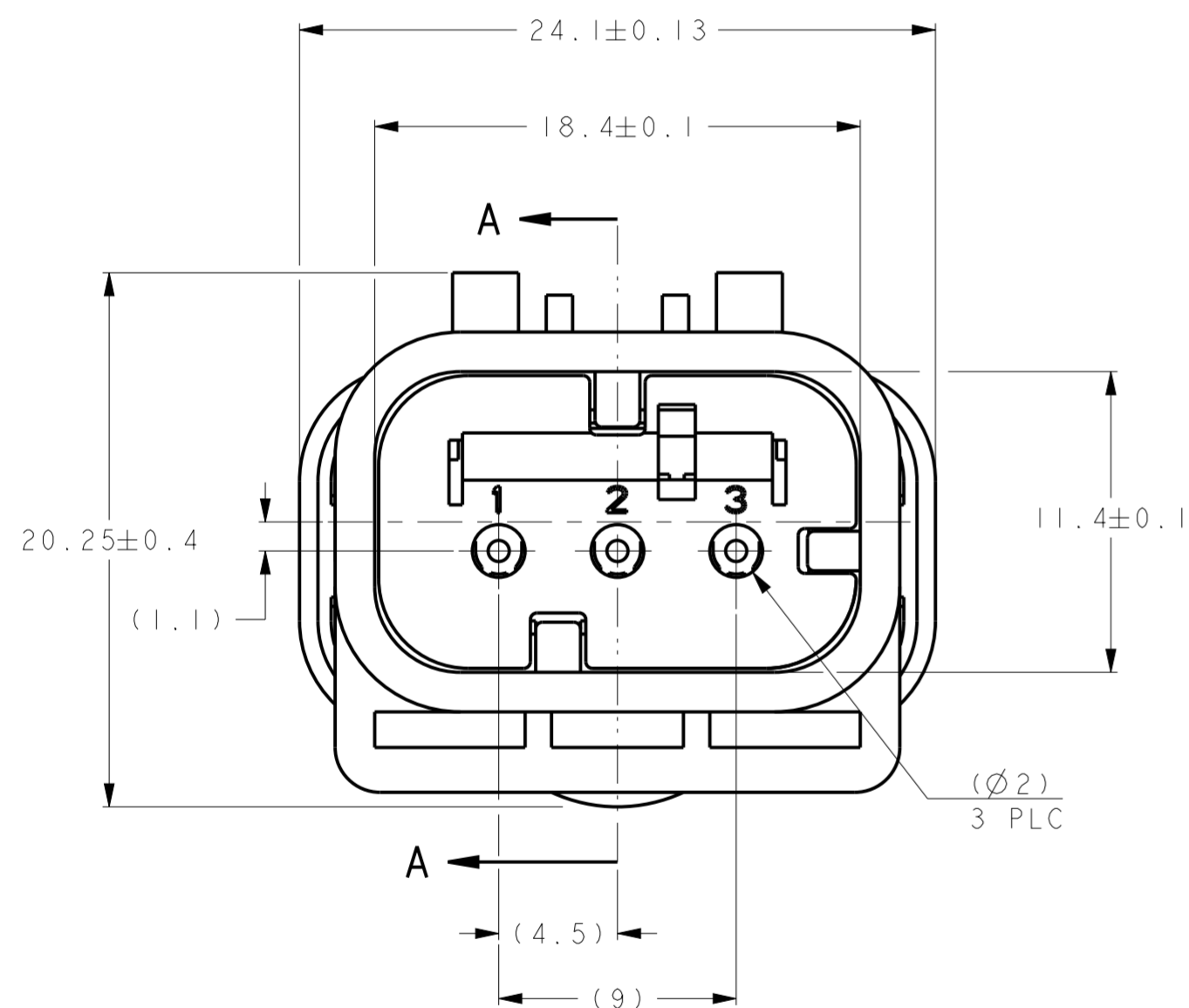


SCALE 2:1

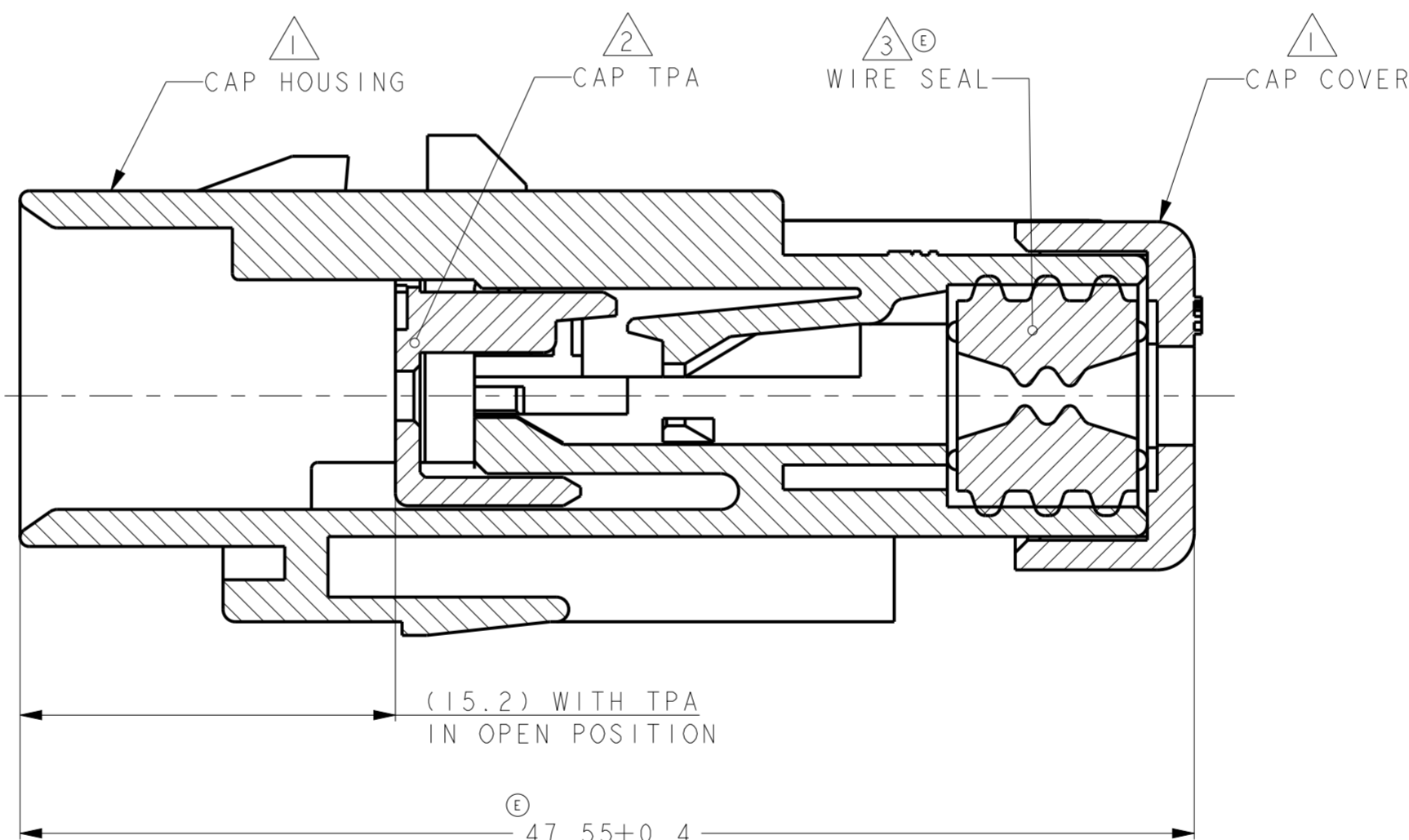
- 1 MATERIAL: 15% GLASS FILLED THERMOPLASTIC  
COLOR: BLACK
- 2 MATERIAL: 15% GLASS FILLED THERMOPLASTIC  
COLOR: (SEE TABLE)
- 3 MATERIAL: SILICONE  
COLOR: RUST

4. WIRE INSULATION RANGE:  $\varnothing 1.3 \sim \varnothing 2.3$

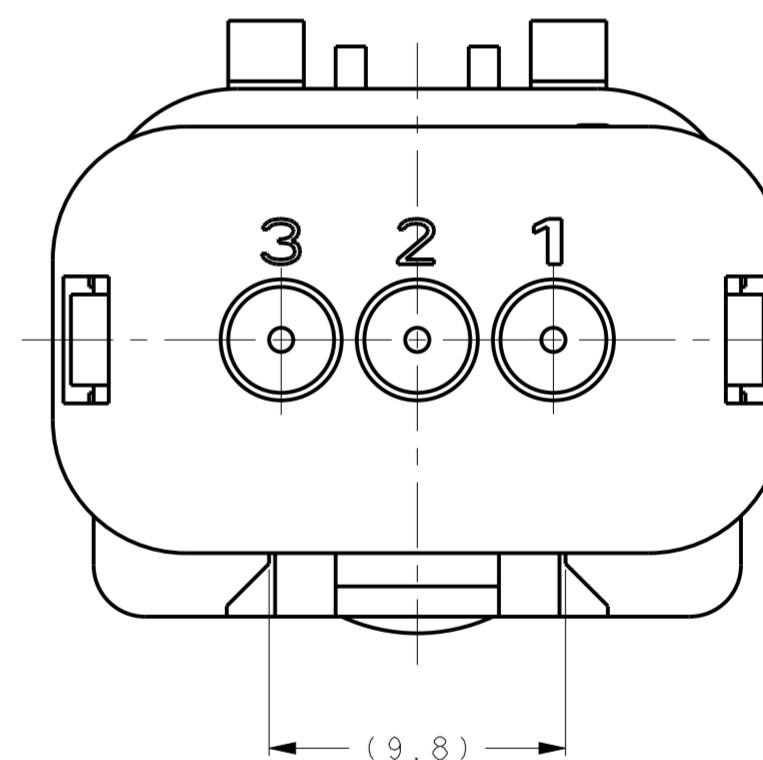
5. OBSOLETE PARTS: OBSOLETE CIS STREAMLINING PER D.RENAUD/D.SINISI



1871413-1 SHOWN



A - A  
OPEN POSITION



TPA COLOR	PART NUMBER
GREEN	1871413-4
YELLOW	1871413-3
GRAY	1871413-2
RED	1871413-1

5  
OBSOLETE

THIS DRAWING IS A CONTROLLED DOCUMENT.		DWN Y. KATO 21DEC2005	TE Connectivity	
DIMENSIONS: mm		CHK J. AKASAKA 28DEC2005		
TOLERANCES UNLESS OTHERWISE SPECIFIED:		APVD D. MITSUGI 28DEC2005	NAME CAP ASSY, 3 POS. BRACKET REVERSE TYPE SMALL WIRE SIZE AMP SEAL 16	
0 PLC ±		PRODUCT SPEC 108-2184	SIZE CAGE CODE DRAWING NO A200779 C-1871413	
1 PLC ±		APPLICATION SPEC 114-13065	RESTRICTED TO	
2 PLC ±		WEIGHT	SCALE 4:1 SHEET OF REV E	
3 PLC ±		Customer Drawing		
4 PLC ±				
ANGLES FINISH				

单击下面可查看定价，库存，交付和生命周期等信息

[>>TE Connectivity\(泰科\)](#)