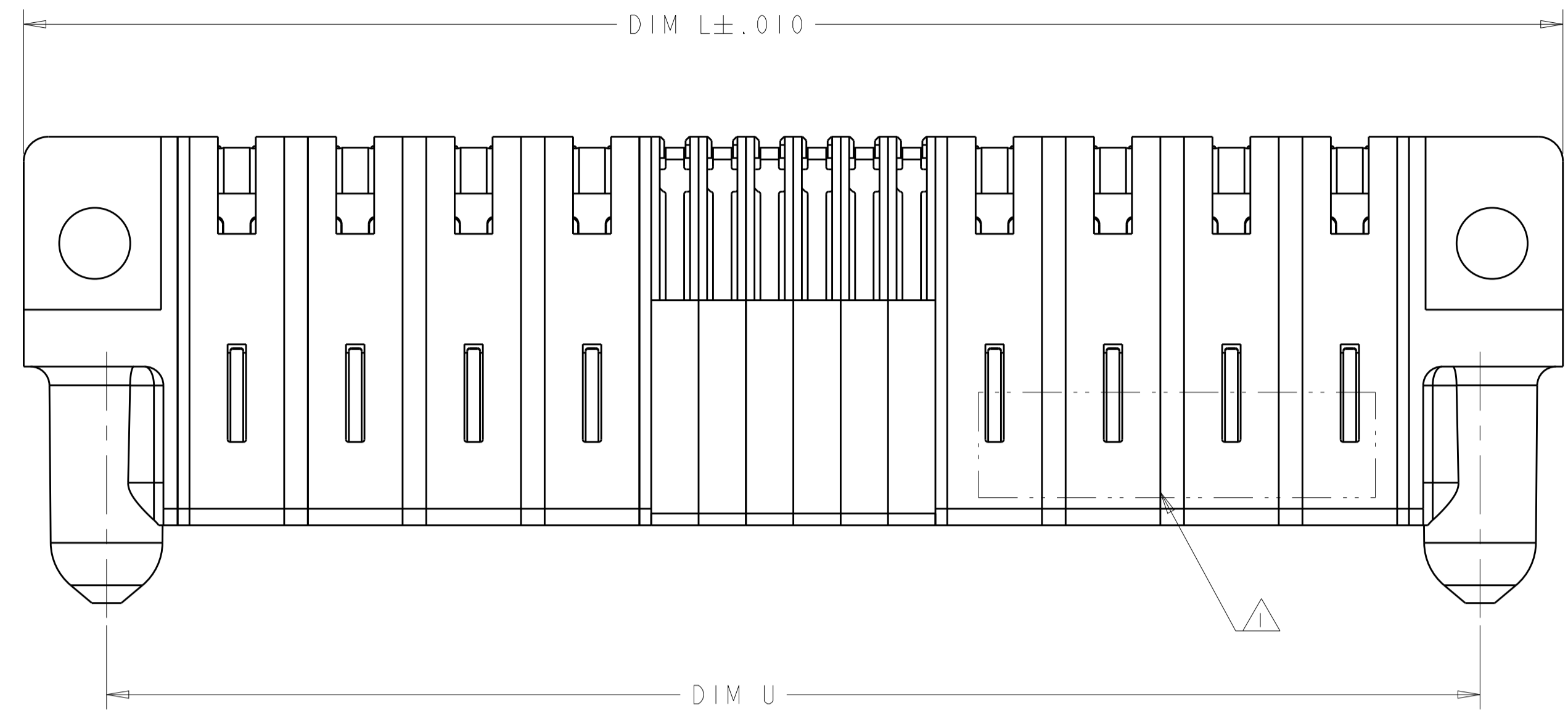
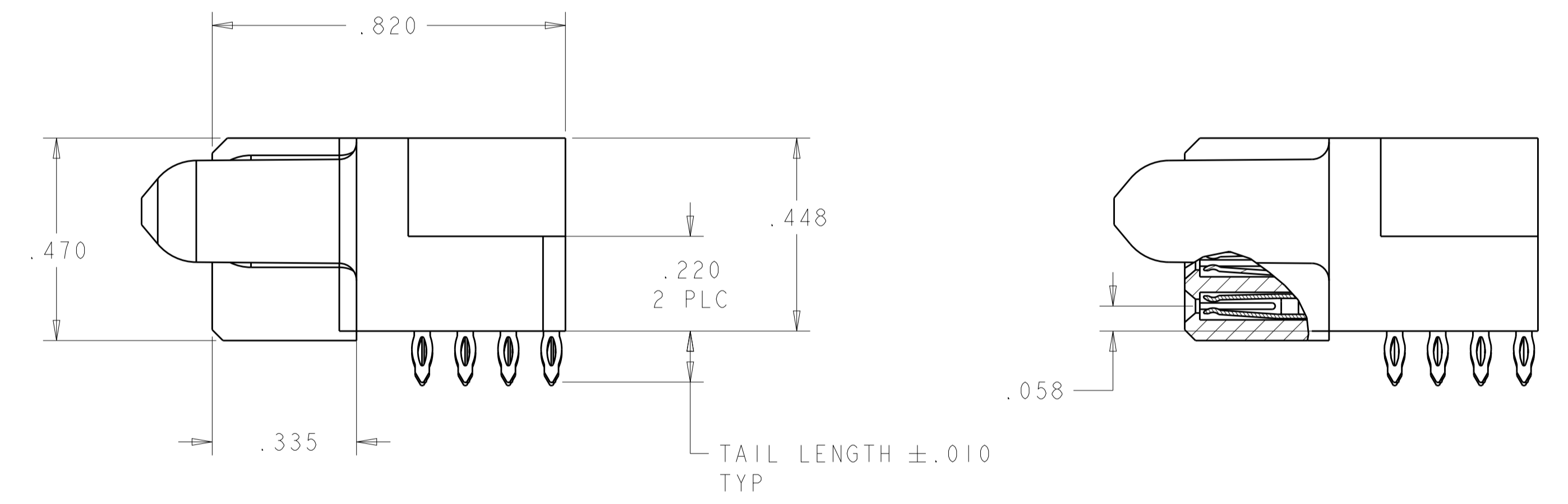
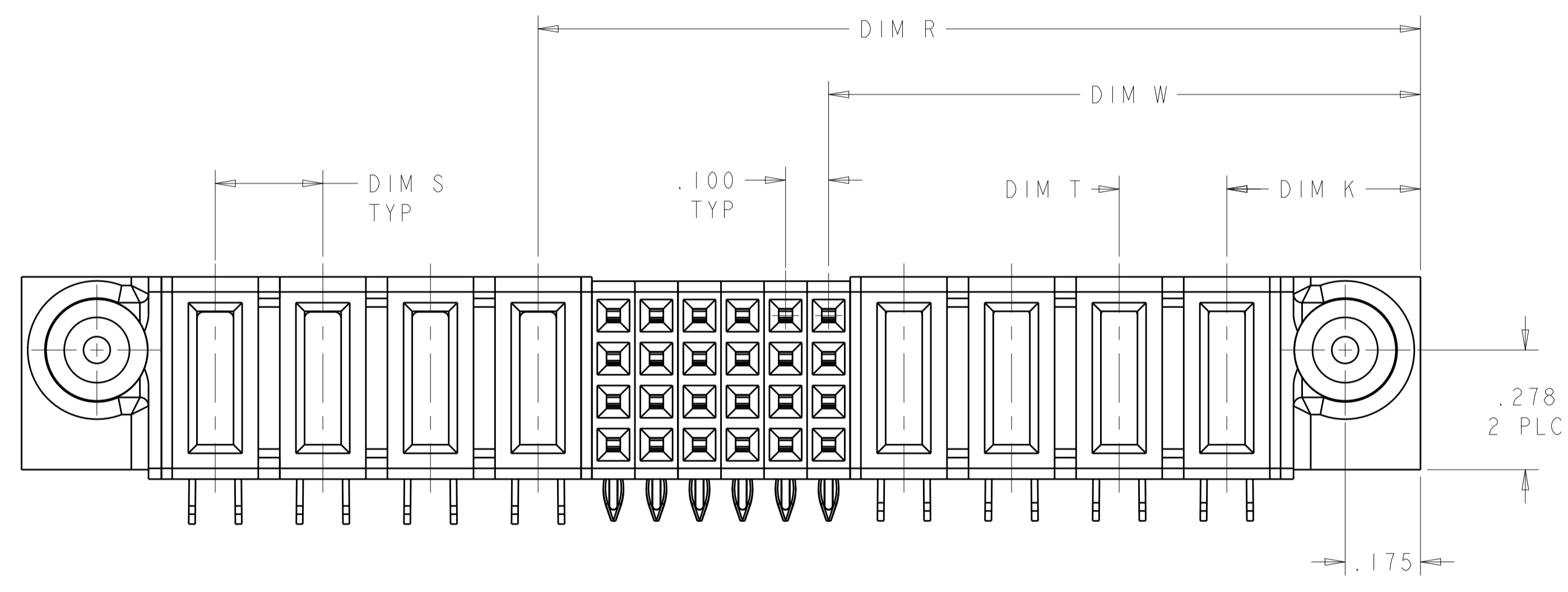


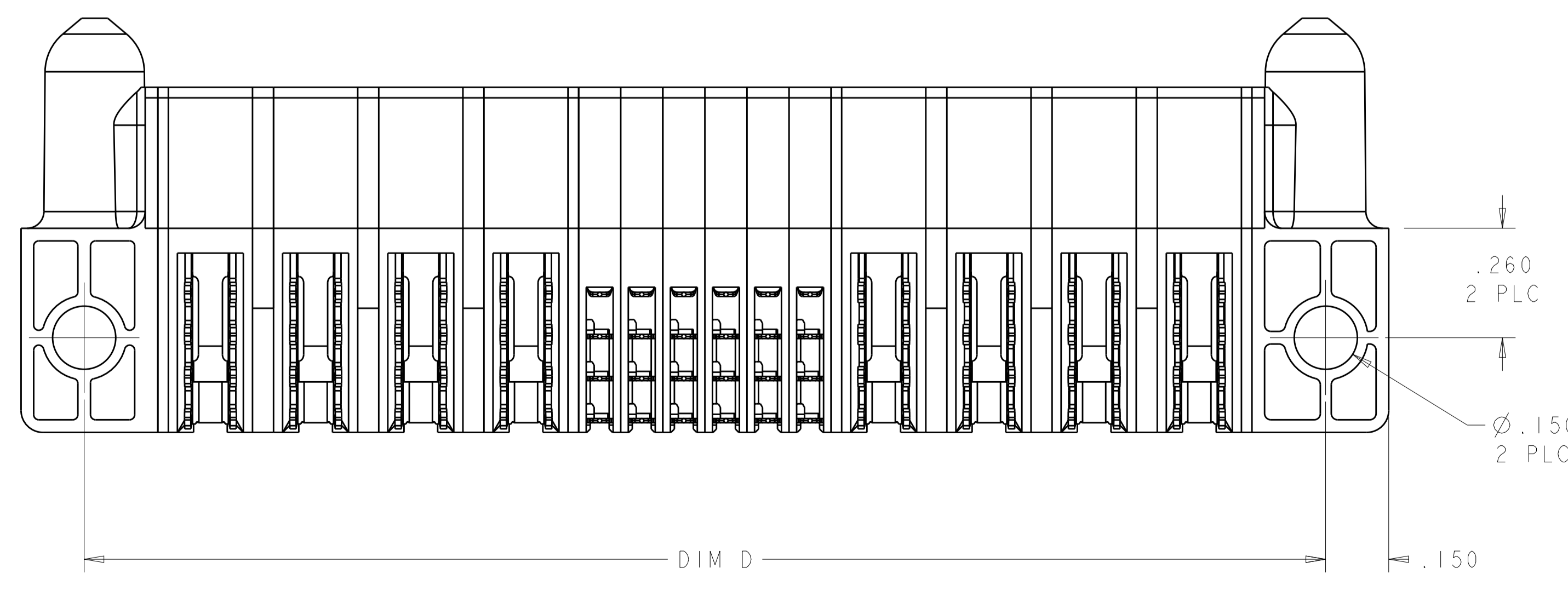
LOC		DIST		REVISIONS			
ES	00	P	LTM	DESCRIPTION	DATE	DWN	APVD
		A1		INITIAL RELEASED	17JUN2011	AY	SZ



- 1 PART NUMBER AND DATE CODE TO BE MARKED
- 2 MATERIAL: HOUSING - GLASS FILLED HIGH TEMP THERMO PLASTIC, UL94 V-0.
SIGNAL CONTACT - HIGH CONDUCTIVITY COPPER ALLOY
POWER CONTACT - HIGH CONDUCTIVITY COPPER ALLOY
- 3 CONTACT PLATING: NOBLE METAL PLATING ON CONTACT FUNCTIONAL AREA OF POWER AND SIGNAL CONTACTS
- 4 MECHANICAL CONNECTOR KEEP OUT ZONE.
- 5 DATUM AND BASIC DIMENSIONS ESTABLISHED BY CUSTOMER.
- 6 PCB - ALL HOLE DIAMETERS ARE FINISHED HOLE SIZES
- 7 PCB - .0453±.0010 DRILLED HOLES PLATED WITH .0003 MIN SnPb OVER .001 TO .003 Cu PLATING TO ACHIEVE A .040 DIAMETER HOLE



SECTION Z-Z



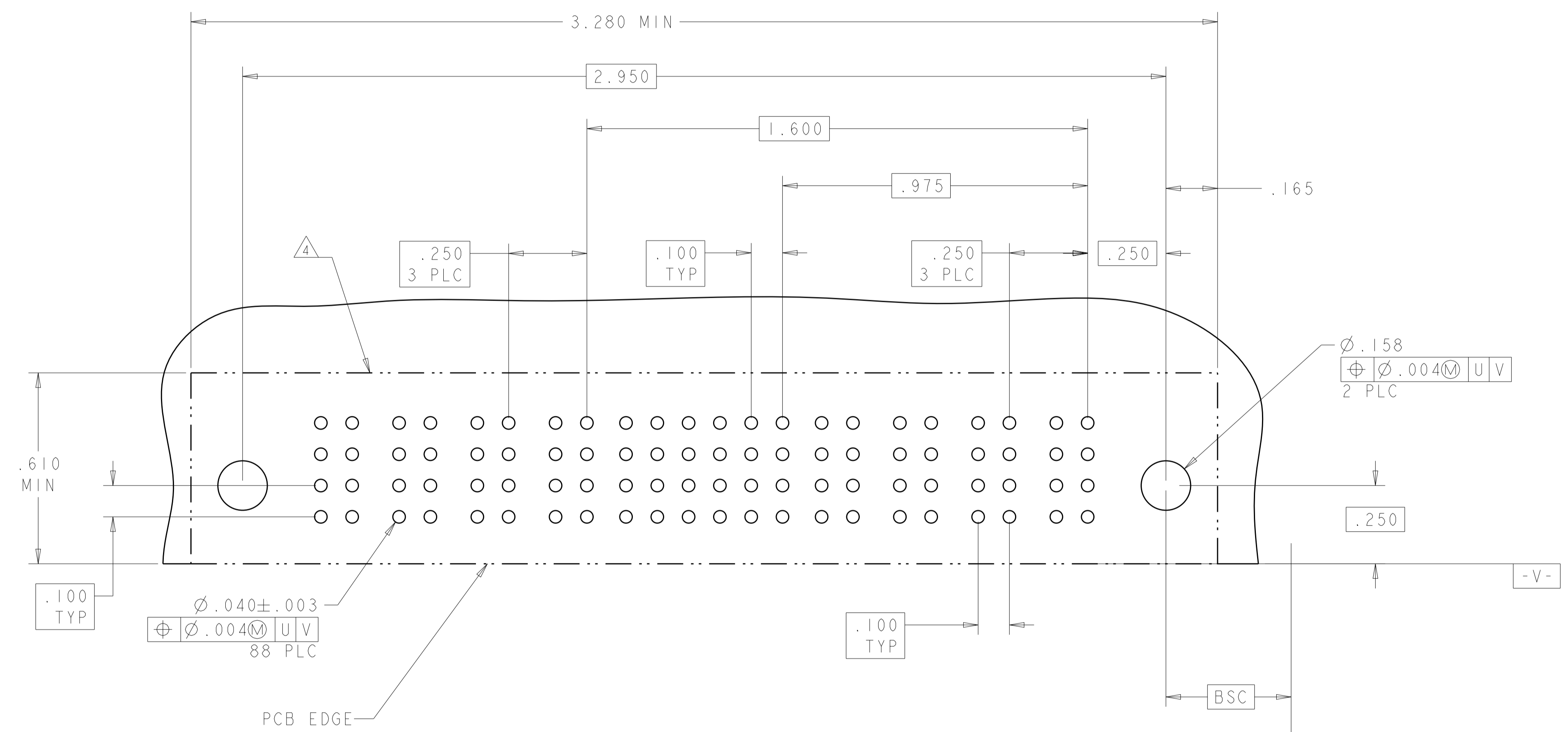
1.375	2.050	.250	.250	.450	2.900	2.950	3.250	4P + 24S + 4P	6450660-1
DIM W	DIM R	DIM S	DIM T	DIM K	DIM U	DIM D	DIM L	DESCRIPTION	PART NUMBER

THIS DRAWING IS A CONTROLLED DOCUMENT.		DWN	A. YANG	17JUN2011
DIMENSIONS: INCHES		CHK	S. ZHAO	17JUN2011
TOLERANCES UNLESS OTHERWISE SPECIFIED:		APVD	JH. CHEN	17JUN2011
0 PLC	±	NAME		
1 PLC	±.01	RIGHT ANGLE RECEPTACLE ASSEMBLY		
2 PLC	±.01	PRESS FIT .150 THR HOLE		
3 PLC	±.005	MULTI-BEAM XL		
4 PLC	±.0020	PRODUCT SPEC	108-1973	
ANGLES	±.0020	APPLICATION SPEC	114-13038	
MATERIAL	FINISH	SIZE	CAGE CODE	DRAWING NO
2	3	114-13038	A100779	C=6450660
CUSTOMER DRAWING		WEIGHT	RESTRICTED TO	
		SCALE	SHEET 1 OF 2	
		REV	A2	

LOC	DIST	REV	DATE	BY	APPV
ES	00				

REVISIONS					
REV	DATE	BY	DESCRIPTION	DATE	APPV
-	-	-	SEE SHEET 1	-	-

PART NUMBER	ROWS	POWER				SIGNAL						POWER			
		P8	P7	P6	P5	6	5	4	3	2	1	P4	P3	P2	P1
6450660-1	D C B A	RS	RS	RS	RS	D	D	D	D	D	D	RS	RS	RS	RS
						C	C	C	C	C	C				
						B	B	B	B	B	B				
						A	A	A	A	A	A				
4P + 24S + 4P															



D	SIGNAL CONTACT, PRESS-FIT, TAIL LENGTH .119	D
C	SIGNAL CONTACT, PRESS-FIT, TAIL LENGTH .119	C
B	SIGNAL CONTACT, PRESS-FIT, TAIL LENGTH .119	B
A	SIGNAL CONTACT, PRESS-FIT, TAIL LENGTH .119	A
RS	POWER CONTACT, STD, PRESS FIT, TAIL LENGTH .119	-
CODE	DESCRIPTION	ROW

THIS DRAWING IS A CONTROLLED DOCUMENT.

DWN	A. YANG	17JUN2011
CHK	S. ZHAO	17JUN2011
APPV	JH. CHEN	17JUN2011

STE TE Connectivity

NAME: RIGHT ANGLE RECEPTACLE ASSEMBLY
 PRODUCT SPEC: 108-1973
 APPLICATION SPEC: 114-13038
 SIZE: A100779
 CAGE CODE: C=6450660
 DRAWING NO: 6450660-1
 SHEET 2 OF 2
 REV A2

单击下面可查看定价，库存，交付和生命周期等信息

[>>TE Connectivity\(泰科\)](#)