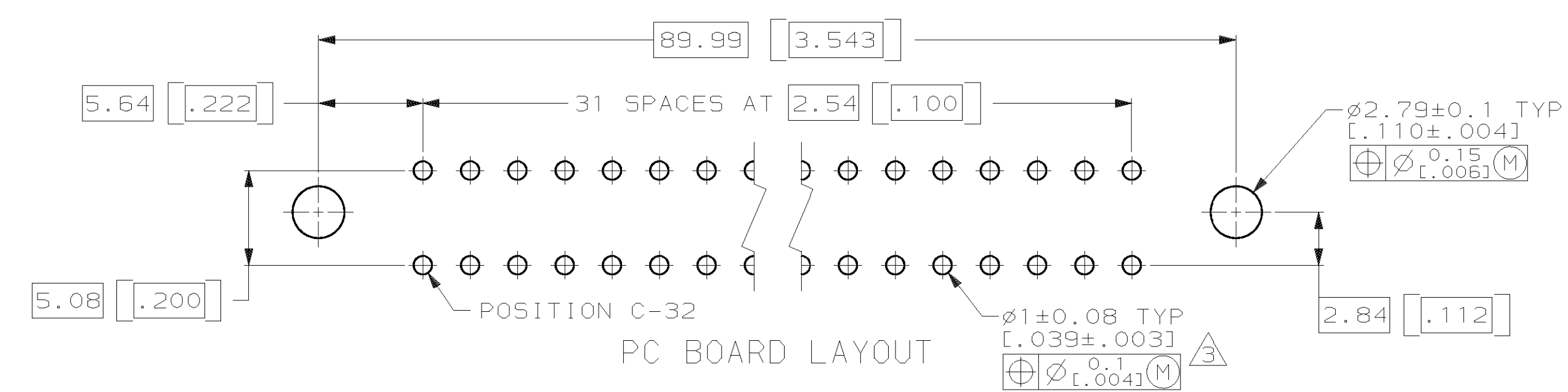
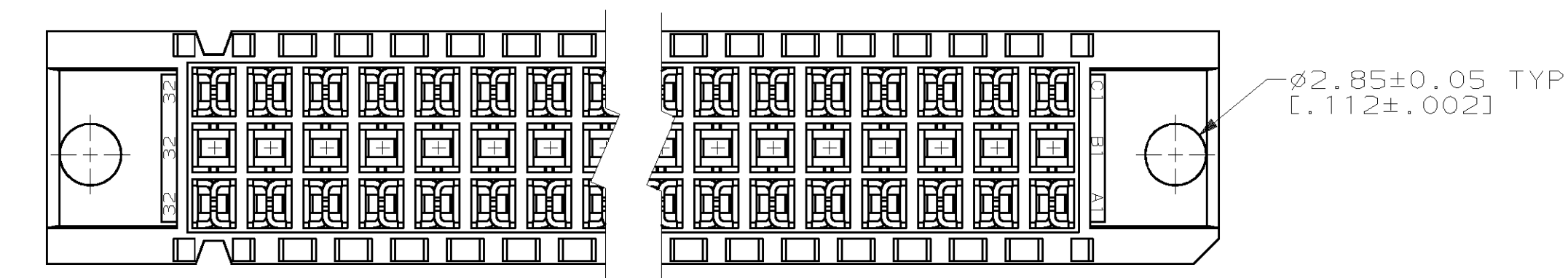
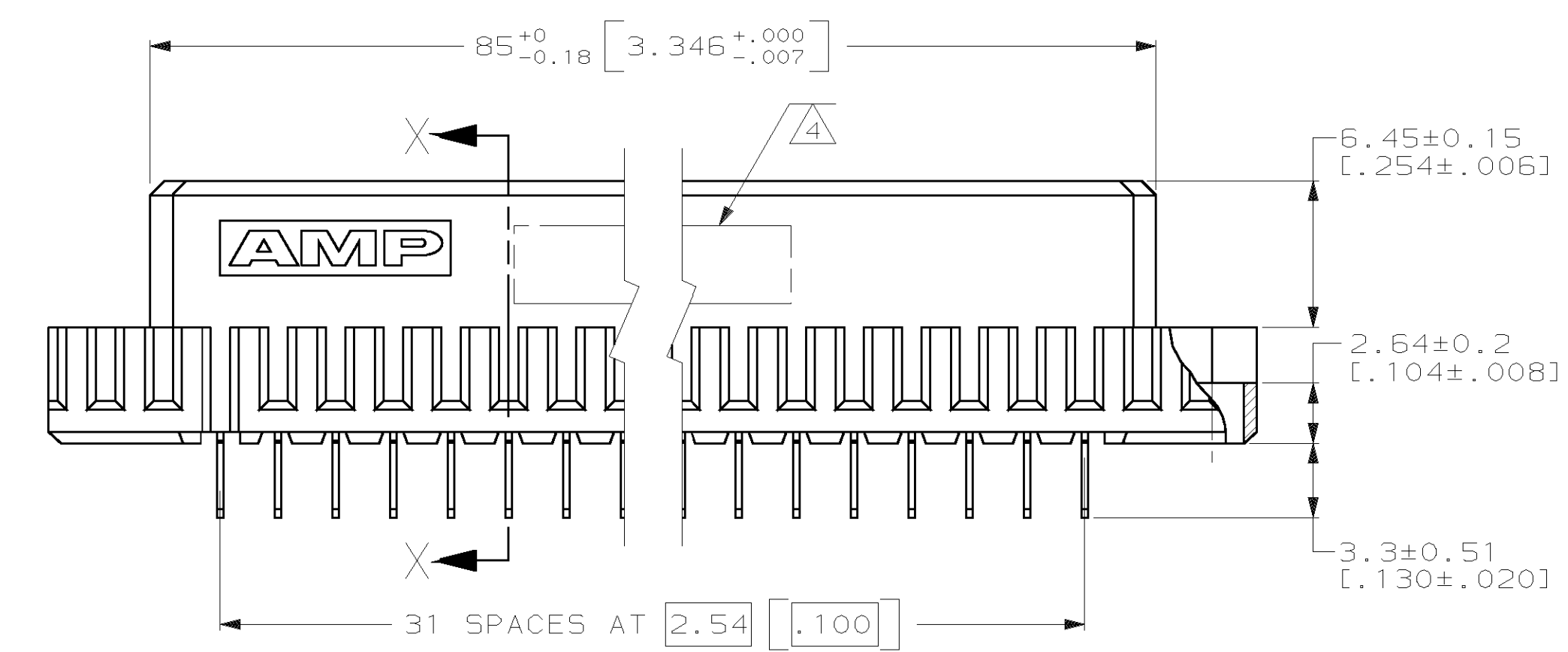
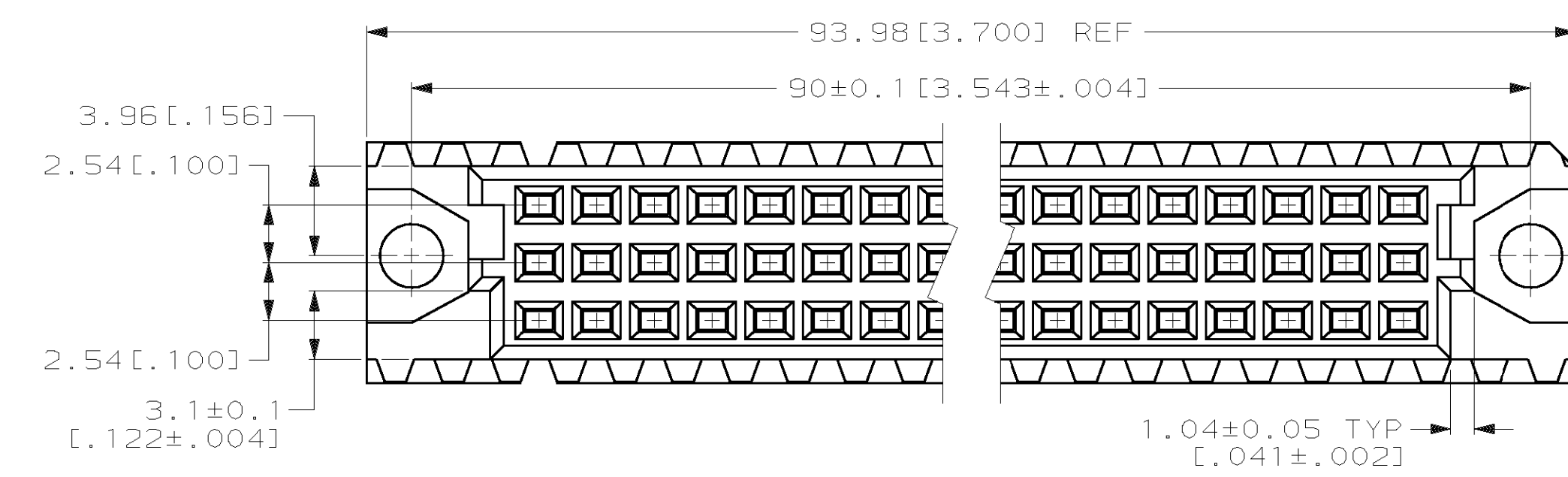
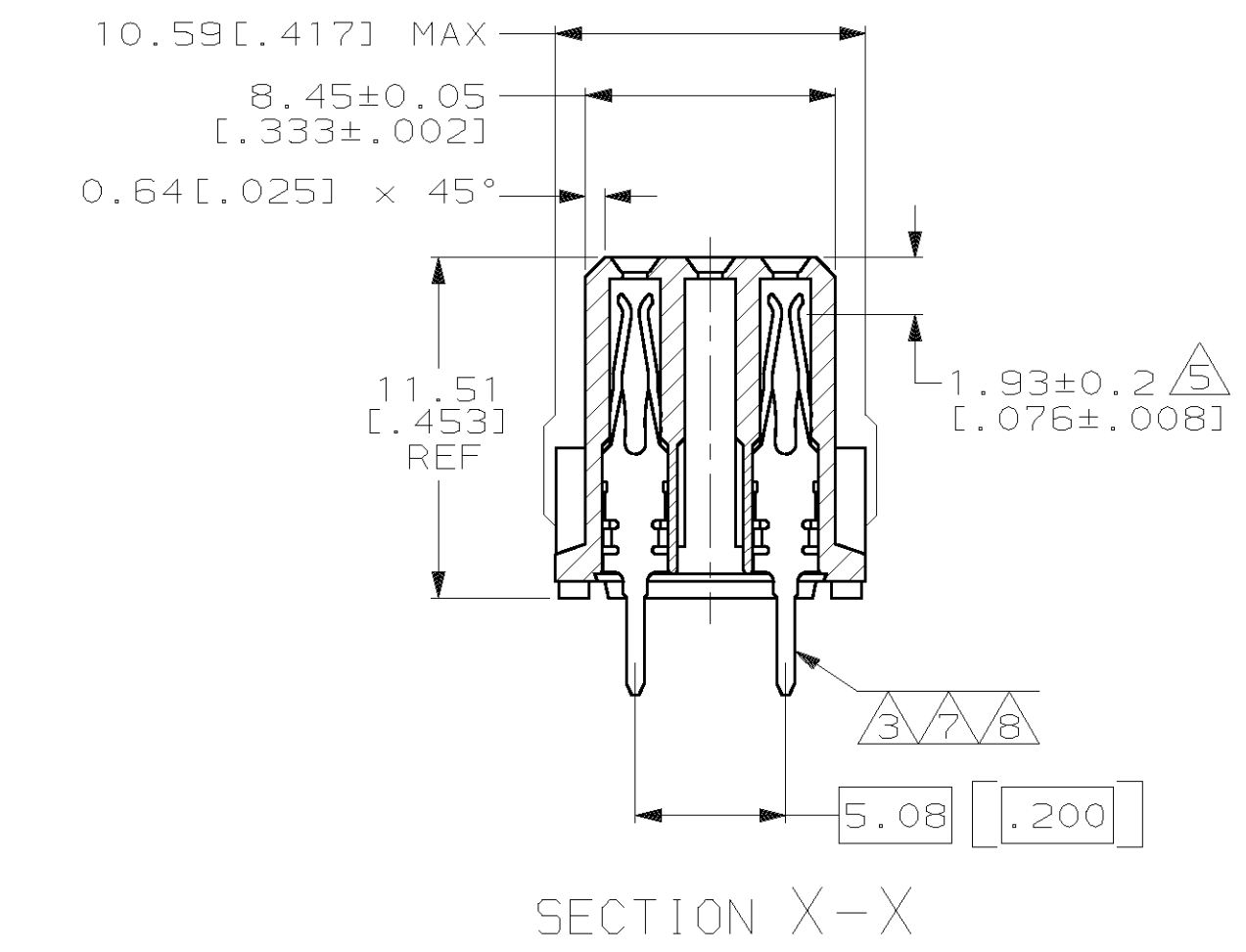


LOC	DIST	P	F	ZONE	LTR	DESCRIPTION	DATE	APPD
AD	25				E	EC 0010-1488-95	4/1/96	CR
					F	REV PER EC 001B-0367-00	99 JAN 01	CR



- ① HOUSING MATERIAL: GLASS-FILLED POLYESTER. COLOR: GRAY.
- ② CONTACT MATERIAL: PHOSPHOR BRONZE.
- ③ CONTACT FINISH: 0.00076 [.000030] GOLD IN CONTACT AREA. 0.00127 [.000050] NICKEL UNDERPLATE ALL OVER. TIN-LEAD PLATE ON POSTS.
- ④ PART NUMBER, DATE CODE IDENTIFICATION, CSA LOGO IN THIS APPROXIMATE AREA, ON REVERSE SIDE.
- ⑤ CONTACT POINT.
- ⑥ RECOMMENDED HOLE SIZE FOR MANUAL APPLICATION OF CONNECTOR ONTO PC BOARD.
- ⑦ CONTACT FINISH: DIN 41612 CLASS 3 IN CONTACT AREA. TIN-LEAD PLATE ON POSTS.
- ⑧ CONTACT FINISH: DIN 41612 CLASS 2 IN CONTACT AREA. TIN-LEAD PLATE ON POSTS.



	POSITIONS LOADED	ROWS	NO. OF LOADED POSITIONS	PART NUMBER
OBSOLETE	1-32	C	32	650956-9
	NONE	B	0	
	1-32	A	32	650956-5
	NONE	B	0	
SUPERSEDED BY 650956-5	1-32	A	32	650956-4
	NONE	B	0	
	1-32	A	32	

DO NOT SCALE PRINT. UNLESS SPECIFIED DIMENSIONS IN mm [INCHES] TOLERANCES ON: 1 PLC DEC ± - 2 PLC DEC ± 0.13 [.005] ANGLES ± -		DR L. BRINER 1/23/91		AMP INCORPORATED Harrisburg, Pa. 17105	
HOUSING: ① CONTACT: ②		CHK N. DRASHER 12/31/91			
FINISH CONTACT: ③ ⑦ ⑧		APPD N. DRASHER 12/31/91		NAME EUROCARD, RECEPTACLE ASSEMBLY, TYPC C	
APPLICATION SPEC -		SIZE D	FSCM NO 00779	DRAWING NO 650956	
WEIGHT -		SCALE 4:1	SHEET 1 OF 1		

单击下面可查看定价，库存，交付和生命周期等信息

[>>TE Connectivity\(泰科\)](#)