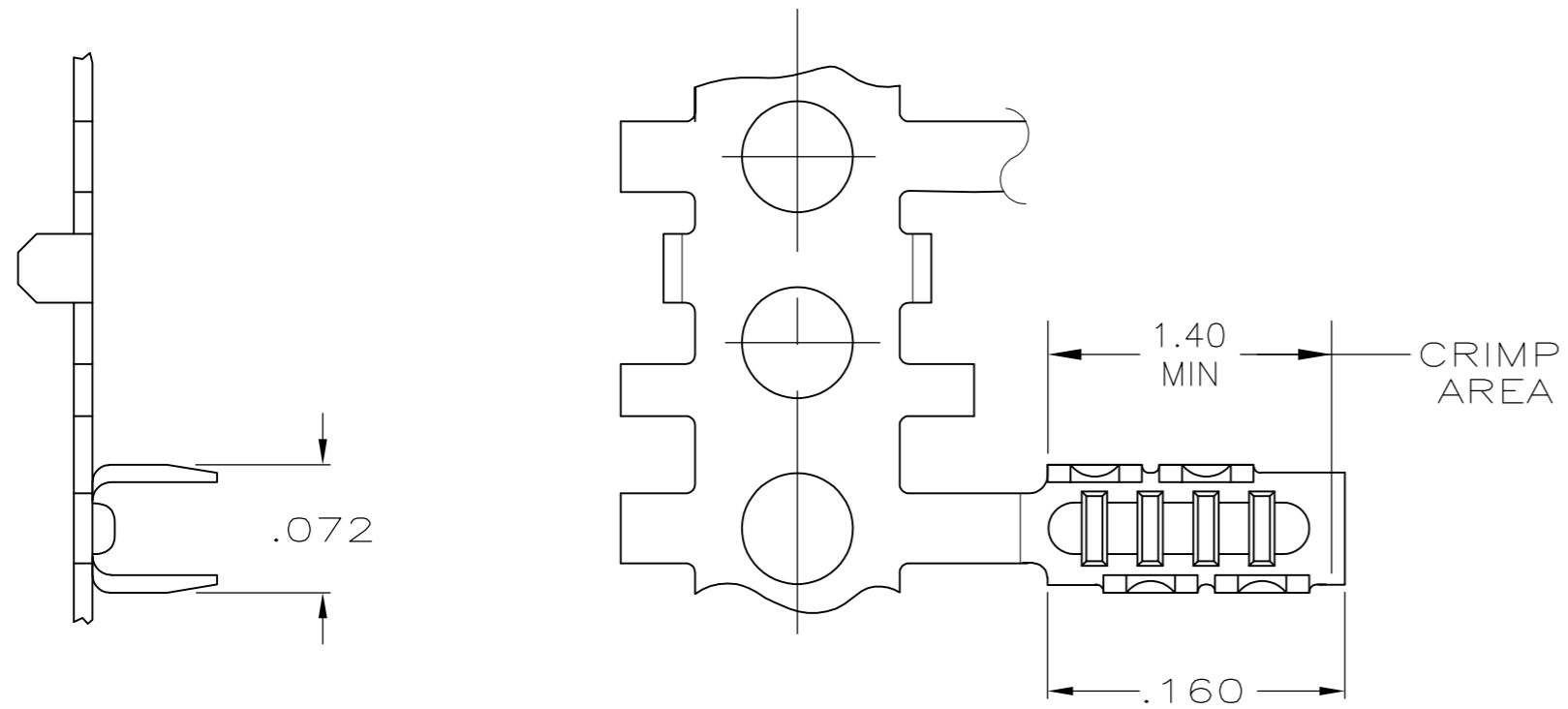
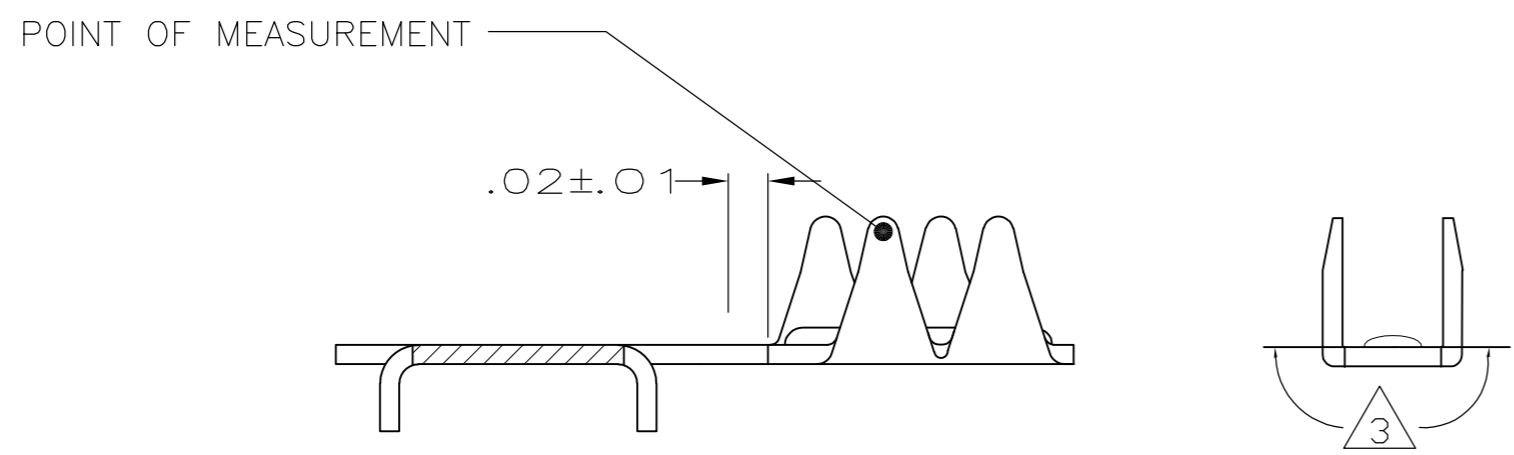


THIS DRAWING IS UNPUBLISHED. RELEASED FOR PUBLICATION  
 © COPYRIGHT BY TYCO ELECTRONICS CORPORATION. ALL RIGHTS RESERVED.

LOC	DIST	REVISIONS			
P	LTR	DESCRIPTION	DATE	DWN	APVD
GP	00				
	K	REVISED PER ECO-12-011709	26JUN2012	RW	SY



- ① .000100 MIN BRIGHT TIN/LEAD OVER  
.000050 MIN NICKEL OVER ENTIRE CONTACT
- ② GOLD FLASH IN CRIMP AREA, OVER  
.000050 MIN NICKEL OVER ENTIRE CONTACT.
- ③ GOLD PLATING MAY OR MAY NOT BE PRESENT  
ON THE BOTTOM OF THE CRIMP BARREL IN  
THIS AREA.



SUPERSEDED BY 494060-3	② ③	494060-3
	①	494060-2
	FINISH	PART NUMBER

THIS DRAWING IS A CONTROLLED DOCUMENT.		DWN 2-13-86 D.DOLLYHIGH	Tyco Electronics Corporation Harrisburg, PA 17105-3608	
DIMENSIONS: INCHES		CHK 2-13-86 D.WORTHINGTON	NAME	
TOLERANCES UNLESS OTHERWISE SPECIFIED:		APVD 2-13-86 R. SMITH	SPLICE, FFC MULTIPLE CRIMP	
0 PLC ± -		PRODUCT SPEC	SIZE	CAGE CODE
1 PLC ± -		APPLICATION SPEC	114-16015	00779
2 PLC ± -		WEIGHT	DRAWING NO	
3 PLC ± .005		FINISH	C=494060	
4 PLC ± -		SEE TABLE	SCALE	SHEET
ANGLES ± -		CUSTOMER DRAWING	4:1	1 of 1
MATERIAL: PHOS BRONZE		RESTRICTED TO	REV	K

单击下面可查看定价，库存，交付和生命周期等信息

[>>TE Connectivity\(泰科\)](#)