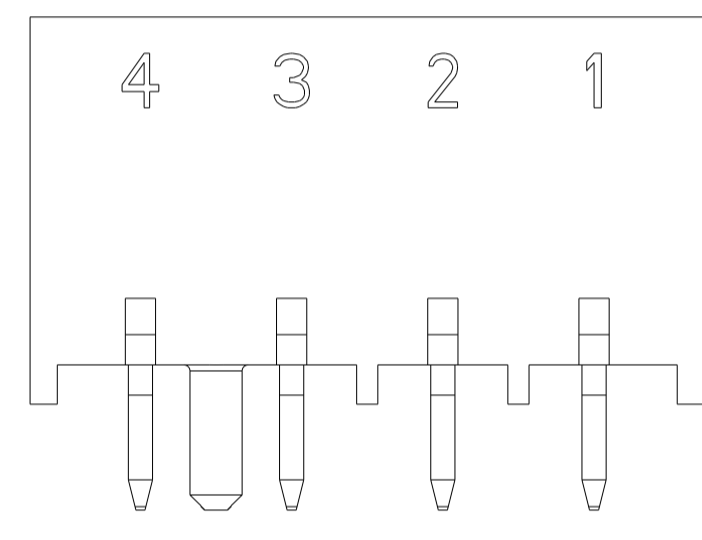
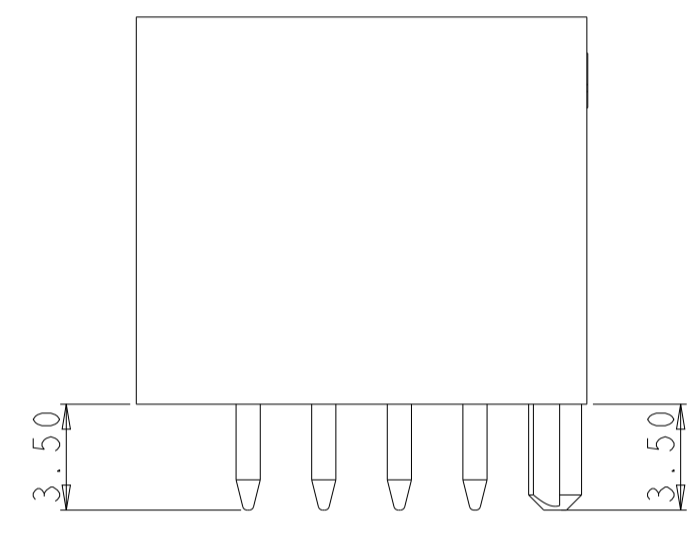
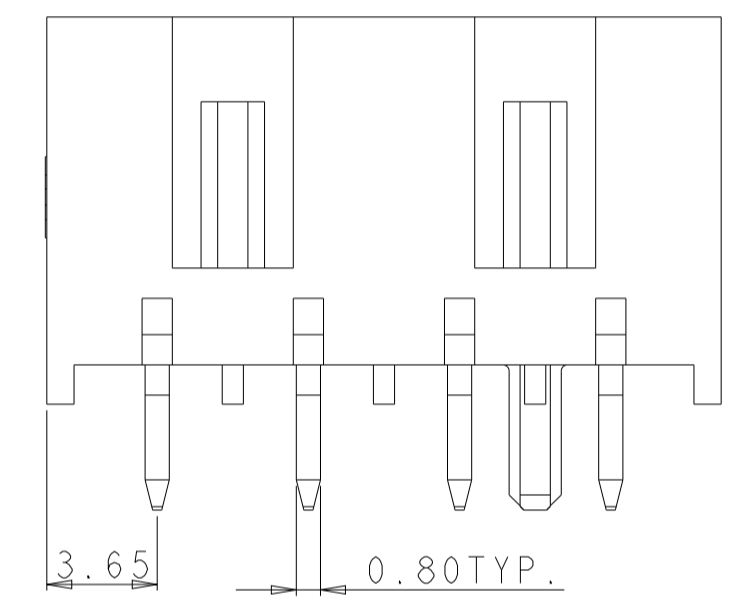
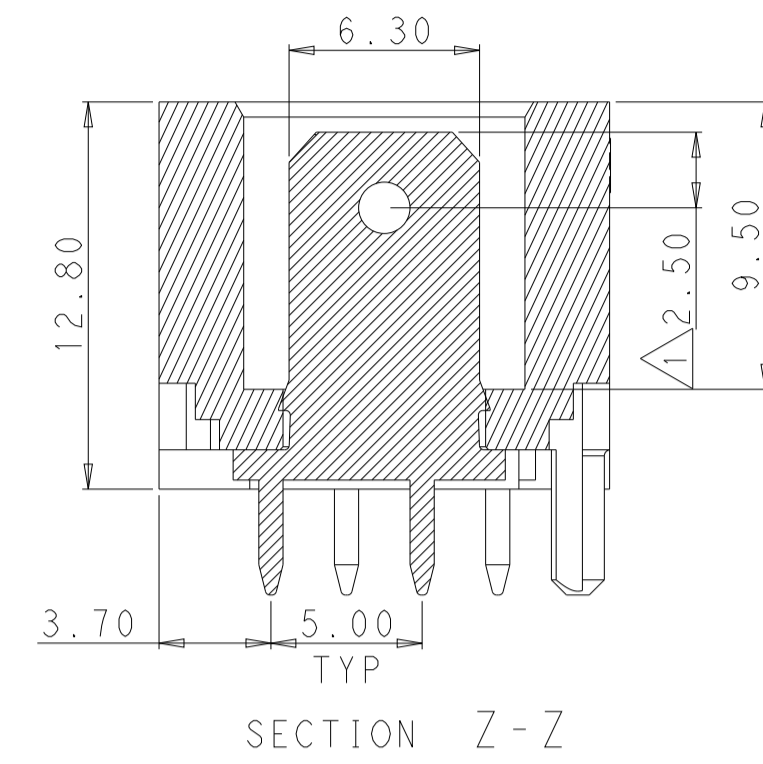
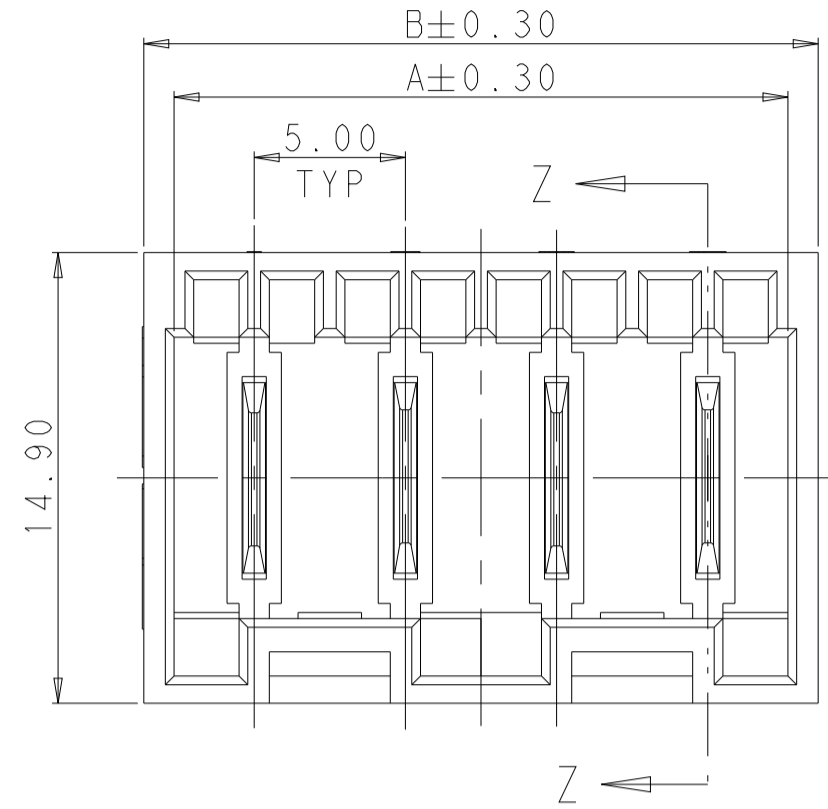
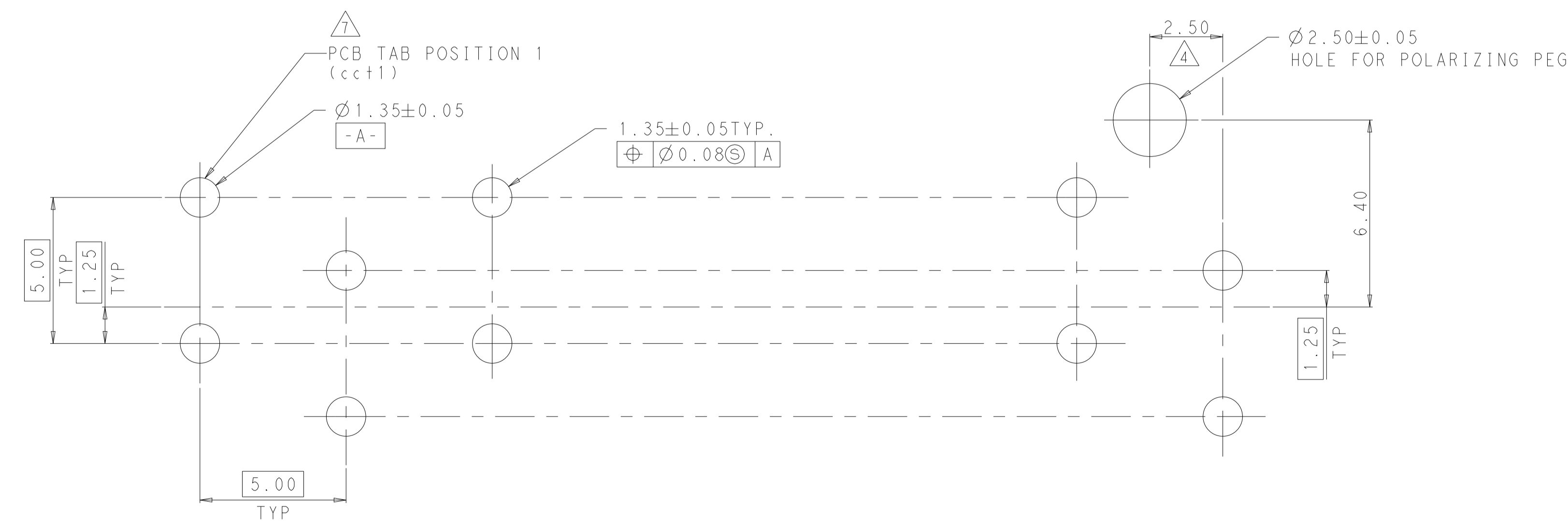
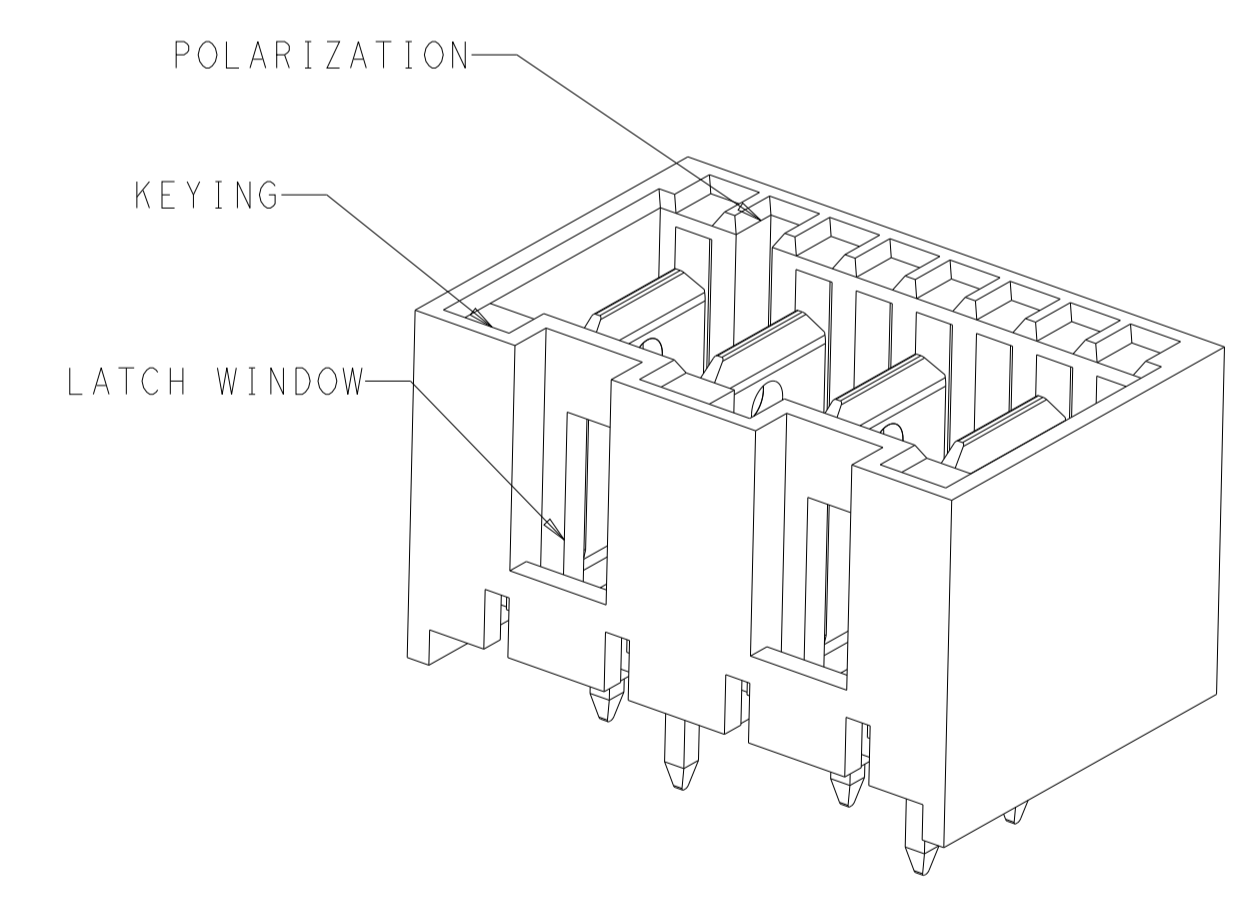


LOC		DIST		REVISIONS			
P	LTN	DESCRIPTION	DATE	DWN	APVD		
A4	ECR-16-016543		22NOV2016	WW	RR		
A5	ECR-19-009802		26JUN2019	KD	FL		
B	ECR-21-100880		17MAR2021	KD	FL		
B1	ECR-21-118862		05NOV2021	SM	FL		



- 1. HOUSING HAS RAST 5 COMPLIANT KEYING, LATCHING, AND POLARIZATION. TAB IS 6.3 x 0.8, HOWEVER, THE LOCATION OF THE TAB HOLE DOES NOT MEET DIN 46244.
 - 2. RECOMMENDED MATING CONNECTOR FAMILIES INCLUDE POSITIVE-LOCK RAST 5, STANDARD TIMER RAST 5, MULTIFITTING, MULTIFITTING MKII, AND MONO-SHAPE TAB CONNECTORS.
 - 3. SEE SHEET 2&3 FOR AVAILABLE CONFIGURATIONS.
 - 4. DIMENSION OFF OF LAST POSITION REGARDLESS OF EVEN OR ODD POSITION HEADER.
 - 5. MATERIAL: HOUSING, NYLON, UL 94V-0. CONTACT, BRASS, 0.8mm THICK.
 - 6. FINISH: CONTACTS, TIN PLATING OVER NICKEL UNDERPLATING SILVER PLATING OVER NICKEL UNDERPLATING.
 - 7. PCB TABS INSERTED IN A STAGGERED PATTERN BEGINNING WITH POSITION 1.
 - 8. THE PART NUMBERS SHOWN IN SHEET 2&3 ARE FOR NATURAL COLOR. THE PART NUMBERS FOR OTHER COLORS ARE BASED ON THE NATURAL ONE: FOR THE SAME CONFIGURATION, THE PREFIX AND POSTFIX OF THE P/N ARE THE SAME, ONLY THE BASE NUMBER IS DIFFERENT ACCORDING TO DIFFERENT COLOR. THE DETAILS SEE SHEET 4.
 - 9. PACKAGING: LOOSE PIECE OR TUBE. THE PART NUMBERS IN THIS DRAWING ARE WITH LOOSE PICE PACKAGING. PLEASE CONTACT TE SALES REPRESENTATIVES FOR TUBE PACKAGING REQUIREMENT.
 - 10. PRODUCT COMPLY WITH GLOW WIRE REQUIREMENTS FOR PARTS OF NON-METALLIC MATERIAL SUPPORTING A CURRENT-CARRYING CONNECTION DETAILED IN IEC 60335-1, SECTION 30 (GWT).
1. PRELIMINARY, NOT FOR PRODUCTION.
 2. PART NUMBERS WITH TUBE PACKAGING.
 3. TOOL MARK ON TERMINAL SURFACE IS ACCEPTABLE WHICH DOES NOT IMPACT FUNCTION



PCB LAYOUT-COMPONENT SIDE
 PCB IS 1.50±0.20 THICK

42.3	40.3	8
37.3	35.3	7
32.3	30.3	6
27.3	25.3	5
22.3	20.3	4
17.3	15.3	3
12.3	10.3	2
B	A	NO. OF POS.

THIS DRAWING IS A CONTROLLED DOCUMENT.

DIMENSIONS:	TOLERANCES UNLESS OTHERWISE SPECIFIED:	DWN: DANIEL ZHANG 02AUG2013	CHK: DANIEL ZHANG 02AUG2013	APVD: YUHONG MAO 02AUG2013	NAME: ASSEMBLY, POSITIVE LOCK RAST 5, HEADER VERTICAL
mm	0 PLC ± 1 PLC ± 2 PLC ±0.25 3 PLC ± 4 PLC ± ANGLES ± FINISH ±	PRODUCT SPEC: 108-106080	APPLICATION SPEC:	SIZE: A1	CAGE CODE: 2232532
MATERIAL:		WEIGHT:		SCALE: 8:1	SHEET 1 OF 4

Customer Drawing

REVOLUTIONS		DATE	OWN	APVD
P	LTN	DESCRIPTION		
-	-	SEE SHEET 1	-	-

COLOR	FINISH TAB POST	LATCH WINDOWS	KEYING	POLARIZATION	NO. OF POS.	PART NUMBER
NATURAL	SILVER PLATED	1-2	1c, 2d	1a, 1b, 2a, 2b	2	6-2232560-2
		1-2	2d	1a, 1b	2	5-2232560-2
		1-2	-	2a, 2b	2	4-2232560-2
		1-2	1c, 2d	1a, 2b	2	3-2232560-2
		1-2	1c	2a	2	2-2232560-2
		1-2	-	1a, 1b, 2a, 2b	2	1-2232560-2
		1-2	-	-	2	2232560-2

COLOR	FINISH TAB POST	LATCH WINDOWS	KEYING	POLARIZATION	NO. OF POS.	PART NUMBER
NATURAL	SILVER PLATED	1-2, 7-8	2d, 4d, 5c, 6d, 8d	1a, 1b, 2b, 3b, 4a, 4b, 6a, 7a, 8b	8	3-2232559-8
		2-3, 7-8	2c, 3d, 7c	8b	8	2-2232559-8
		1-2, 3-4, 5-6, 7-8	3c, 6d	4a, 6b	8	1-2232559-8
		1-2, 7-8	2d, 3c, 6d, 7c	-	8	2232559-8
		1-2, 5-6	2d, 7c	2b	6	6-2232559-7
		1-2, 5-6	3c, 4d, 7c	1a, 1b, 2a, 2b, 3a, 3b, 4a, 4b, 5a, 5b, 6a, 6b, 7a, 7b	5	5-2232559-7
		1-2, 3-4, 5-6	1c, 2d, 4d, 7d	2a, 4b	7	4-2232559-7
		1-2, 5-6	3d, 7d	3a, 4a	7	3-2232559-7
		1-2, 5-6	3c, 4d, 7c	1a, 6b	7	2-2232559-7
		1-2, 4-5, 6-7	3c, 5d, 6c, 7d	1a, 2a, 4a, 4b, 5b, 6a, 6b, 7b	7	1-2232559-7
		1-2, 6-7	3d, 7d	5b	7	2232559-7
		4-5	1c, 1d, 2c, 3d, 5d, 6c, 6d	1b, 2a, 2b, 3a, 3b, 6a	6	8-2232559-6
		1-2, 3-4, 5-6	1c, 3c, 6d	1b, 2a, 3a, 4b, 5a, 5b, 6b	6	7-2232559-6
		1-2, 3-4, 5-6	1c, 5c, 6d	1a, 2b, 4a, 5b, 6b	6	6-2232559-6
		1-2, 3-4, 5-6	2d, 3c, 4d, 5c	1a, 2b, 4a, 5b, 6b	6	5-2232559-6
		1-2, 5-6	2d, 4c, 6d	1b, 2a, 2b, 3a, 6a, 6b	6	4-2232559-6
		1-2, 4-5	1c, 5d, 6c	1a, 3b, 4b	6	3-2232559-6
		2-3, 5-6	1c, 6d	1b, 2a, 3a, 4b, 5a, 5b, 6b	6	2-2232559-6
		1-2, 5-6	4d	2b, 6b	6	1-2232559-6
		1-2, 4-5	3c, 6d	1b	6	2232559-6
		1-2, 4-5	3d	3b	5	8-2232559-5
		1-2, 4-5	3d	1a, 4a	5	7-2232559-5
		1-2, 4-5	1c, 2d, 3c, 5d	1a, 5b	5	6-2232559-5
		1-2, 4-5	1c, 2d, 4c	2a, 2b, 4a, 5b	5	5-2232559-5
		1-2, 3-4	1c, 2d, 4d	2a, 4b	5	4-2232559-5
		1-2, 3-4	1c, 2d, 3c, 5d	1a, 5b	5	3-2232559-5
		2-3	3d, 4c	1a, 5b	5	2-2232559-5
		1-2, 3-4	2d, 5d	2b	5	1-2232559-5
		1-2, 4-5	2d	2b	5	2232559-5
		1-2, 3-4	2d, 3c, 4d	1b, 2a, 4b	4	7-2232559-4
		1-2, 3-4	2d, 3c, 4d	1a, 2a, 3b, 4a	4	6-2232559-4
		1-2, 3-4	2d, 3c	1b, 2a, 2b, 3b, 4b	4	5-2232559-4
		1-2, 3-4	2d	2a, 4b	4	4-2232559-4
		1-2, 3-4	4d	1a, 3a	4	3-2232559-4
		1-2, 3-4	4d	1a, 4b	4	2-2232559-4
		1-2, 3-4	1c	1a, 4b	4	1-2232559-4
		1-2, 3-4	3c, 4d	1b	4	2232559-4
		1-2	1c, 3c	3b	3	7-2232559-3
		1-2	1c, 2d	1b, 2b	3	6-2232559-3
		1-2	1c	1a, 3a	3	5-2232559-3
		2-3	1c, 3d	3b	3	4-2232559-3
		2-3	1d, 3d	3b	3	3-2232559-3
		1-2	3c	1a	3	2-2232559-3
		2-3	1d, 2c	2b, 3b	3	1-2232559-3
		1-2	1c, 2d	1b	3	2232559-3
		1-2	2d	1b	2	9-2232559-2
		1-2	-	1a, 1b, 2a	2	8-2232559-2
		1-2	1c	1a, 2a	2	7-2232559-2
		1-2	1c, 2d	2b	2	6-2232559-2
		1-2	1c	1b, 2b	2	5-2232559-2
		1-2	2d	1b, 2a, 2b	2	4-2232559-2
		1-2	2d	1a, 2b	2	3-2232559-2
		1-2	1c, 2d	2a	2	2-2232559-2
		1-2	1c	1a, 2b	2	1-2232559-2
		1-2	1c, 2d	1b, 2a	2	2232559-2

COLOR	FINISH TAB POST	LATCH WINDOWS	KEYING	POLARIZATION	NO. OF POS.	PART NUMBER
NATURAL	TIN PLATED	1-2	1c, 2d	1a, 1b, 2a, 2b	2	6-2232557-2
		1-2	2d	1a, 1b	2	5-2232557-2
		1-2	-	2a, 2b	2	4-2232557-2
		1-2	1c, 2d	1a, 2b	2	3-2232557-2
		1-2	1c	2a	2	2-2232557-2
		1-2	-	1a, 1b, 2a, 2b	2	1-2232557-2
		1-2	-	-	2	2232557-2
COLOR	FINISH TAB POST	LATCH WINDOWS	KEYING	POLARIZATION	NO. OF POS.	PART NUMBER
NATURAL	TIN PLATED	1-2, 7-8	2d, 4d, 5c, 6d, 8d	1a, 1b, 2b, 3b, 4a, 4b, 6a, 7a, 8b	8	3-2232532-8
		2-3, 7-8	2c, 3d, 7c	8b	8	2-2232532-8
		1-2, 3-4, 5-6, 7-8	3c, 6d	4a, 6b	8	1-2232532-8
		1-2, 7-8	2d, 3c, 6d, 7c	-	8	2232532-8
		1-2, 5-6	2d, 7c	2b	6	6-2232532-7
		1-2, 5-6	3c, 4d, 7c	1a, 1b, 2a, 2b, 3a, 3b, 4a, 4b, 5a, 5b, 6a, 6b, 7a, 7b	5	5-2232532-7
		1-2, 3-4, 5-6	1c, 2d, 4d, 7d	2a, 4b	7	4-2232532-7
		1-2, 5-6	3d, 7d	3a, 4a	7	3-2232532-7
		1-2, 5-6	3c, 4d, 7c	1a, 6b	7	2-2232532-7
		1-2, 4-5, 6-7	3c, 5d, 6c, 7d	1a, 2a, 4a, 4b, 5b, 6a, 6b, 7b	7	1-2232532-7
		1-2, 6-7	3d, 7d	5b	7	2232532-7
		4-5	1c, 1d, 2c, 3d, 5d, 6c, 6d	1b, 2a, 2b, 3a, 3b, 6a	6	8-2232532-6
		1-2, 3-4, 5-6	1c, 3c, 6d	1b, 2a, 3a, 4b, 5a, 5b, 6b	6	7-2232532-6
		1-2, 3-4, 5-6	1c, 5c, 6d	1a, 2b, 4a, 5b, 6b	6	6-2232532-6
		1-2, 3-4, 5-6	2d, 3c, 4d, 5c	1a, 2b, 4a, 5b, 6b	6	5-2232532-6
		1-2, 5-6	2d, 4c, 6d	1b, 2a, 2b, 3a, 6a, 6b	6	4-2232532-6
		1-2, 4-5	1c, 5d, 6c	1a, 3b, 4b	6	3-2232532-6
		2-3, 5-6	1c, 6d	1b, 2a, 3a, 4b, 5a, 5b, 6b	6	2-2232532-6
		1-2, 5-6	4d	2b, 6b	6	1-2232532-6
		1-2, 4-5	3c, 6d	1b	6	2232532-6
		1-2, 4-5	3d	3b	5	8-2232532-5
		1-2, 4-5	3d	1a, 4a	5	7-2232532-5
		1-2, 4-5	1c, 2d, 3c, 5d	1a, 5b	5	6-2232532-5
		1-2, 4-5	1c, 2d, 4c	2a, 2b, 4a, 5b	5	5-2232532-5
		1-2, 3-4	1c, 2d, 4d	2a, 4b	5	4-2232532-5
		1-2, 3-4	1c, 2d, 3c, 5d	1a, 5b	5	3-2232532-5
		2-3	3d, 4c	1a, 5b	5	2-2232532-5
		1-2, 3-4	2d, 5d	2b	5	1-2232532-5
		1-2, 3-4	2d	2b	5	2232532-5
		1-2, 3-4	3c, 4d	1b	4	8-2232532-4
		1-2, 3-4	2d, 3c, 4d	1b, 2a, 4b	4	7-2232532-4
		1-2, 3-4	2d, 3c, 4d	1a, 2a, 3b, 4a	4	6-2232532-4
		1-2, 3-4	2d, 3c	1b, 2a, 2b, 3b, 4b	4	5-2232532-4
		1-2, 3-4	2d	2a, 4b	4	4-2232532-4
		1-2, 3-4	4d	1a, 3a	4	3-2232532-4
		1-2, 3-4	4d	1a, 4b	4	2-2232532-4
		1-2, 3-4	1c	1a, 4b	4	1-2232532-4
		1-2, 3-4	3c, 4d	1b	4	2232532-4
		2-3	1c, 3d	3b	3	9-2232532-3
		1-2	1c, 2d	1b	3	8-2232532-3
		1-2	1c, 3c	3b	3	7-2232532-3
		1-2	1c, 2d	1b, 2b	3	6-2232532-3
		1-2	1c	1a, 3a	3	5-2232532-3
		2-3	1c, 3d	3b	3	4-2232532-3
		2-3	1d, 3d	3b	3	3-2232532-3
		2-3	1d, 3d	3b	3	3-2232532-3
		1-2	3c	1a	3	2-2232532-3
		2-3	1d, 2c	2b, 3b	3	1-2232532-3
		1-2	1c, 2d	1b	3	2232532-3
		1-2	2d	1b	2	9-2232532-2
		1-2	-	1a, 1b, 2a	2	8-2232532-2
		1-2	1c	1a, 2a	2	7-2232532-2
		1-2	1c, 2d	2b	2	6-2232532-2
		1-2	1c	1b, 2b	2	5-2232532-2
		1-2	2d	1b, 2a, 2b	2	4-2232532-2
		1-2	2d	1a, 2b	2	3-2232532-2
		1-2	1c, 2d	2a	2	2-2232532-2
		1-2	1c	1a, 2b	2	1-2232532-2
		1-2	1c, 2d	1b, 2a	2	2232532-2

THIS DRAWING IS A CONTROLLED DOCUMENT. **STE** TE Connectivity

DIMENSIONS: mm

TOLERANCES UNLESS OTHERWISE SPECIFIED:

0 PLC	±
1 PLC	±
2 PLC	±
3 PLC	±
4 PLC	±
ANGLES	±
FINISH	±

MATERIAL: -

APPROVALS:

OWN	DANIEL ZHANG	02AUG2013
CHK	DANIEL ZHANG	02AUG2013
APVD	YUHONG MAO	02AUG2013

NAME: ASSEMBLY, POSITIVE LOCK
 RAST 5, HEADER
 VERTICAL

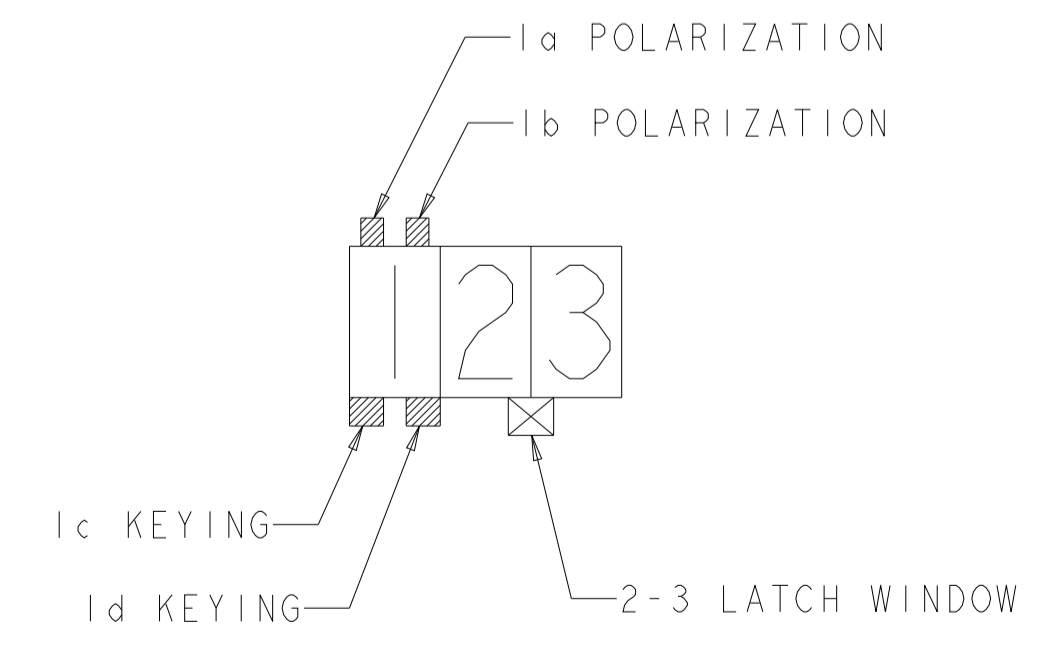
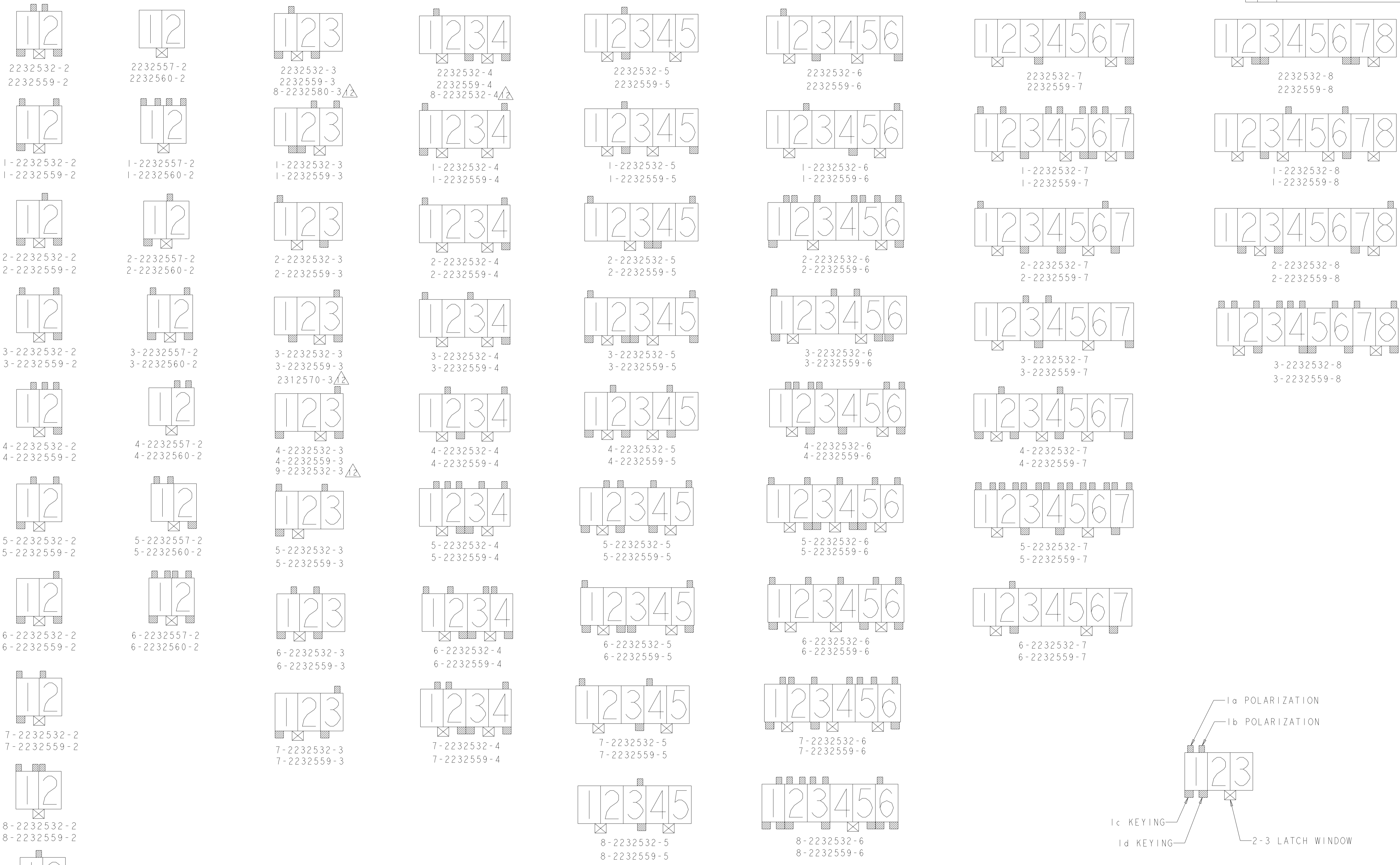
SIZE: A1
 CAGE CODE: 100779
 DRAWING NO: 2232532

RESTRICTED TO: -

Customer Drawing

SCALE: 8:1 SHEET 2 OF 4 REV: B1

LOC	DIST	REV	DATE	BY	APPV
-	-	1	02AUG2013	DANIEL ZHANG	
SEE SHEET 1					



PICTORIAL VIEW KEY

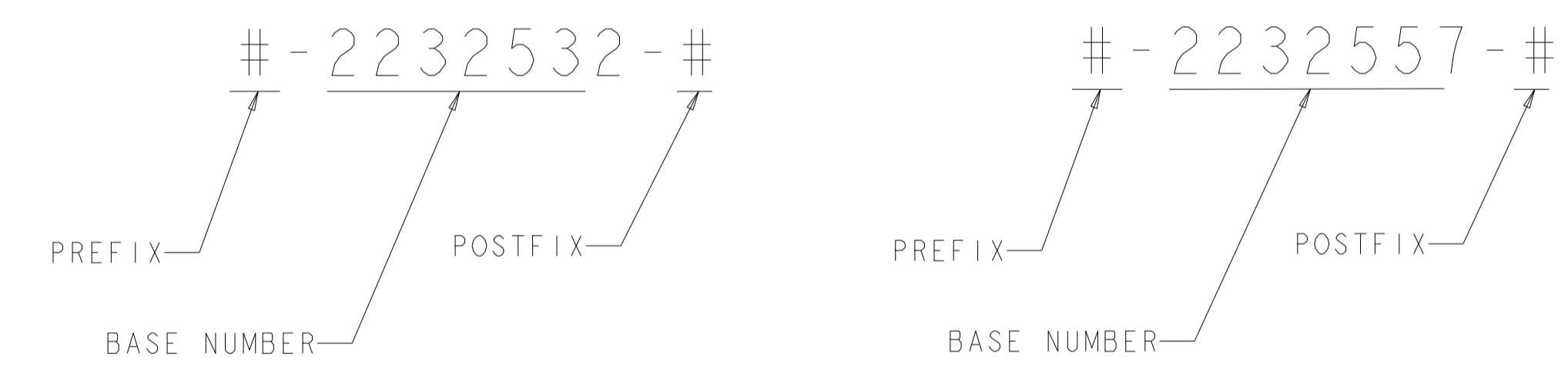
THIS DRAWING IS A CONTROLLED DOCUMENT.		OWN: DANIEL ZHANG 02AUG2013	TE Connectivity
DIMENSIONS: mm		CHK: DANIEL ZHANG 02AUG2013	
TOLERANCES UNLESS OTHERWISE SPECIFIED:		APVD: YUHONG MAO 02AUG2013	NAME: ASSEMBLY, POSITIVE LOCK
0 PLC ±. 1 PLC ±. 2 PLC ±. 3 PLC ±. 4 PLC ±. ANGLES FINISH ±.		PRODUCT SPEC	RAST 5, HEADER VERTICAL
MATERIAL: -		APPLICATION SPEC	SIZE: A1
		WEIGHT: -	CAGE CODE: 100779
		Customer Drawing	DRAWING NO: C=2232532
		SCALE: 8:1	SHEET 3 OF 4
			REV: B1

LOC		DIST		REVISIONS			
P	LTN	DESCRIPTION	DATE	DMN	APVD		
-	-	SEE SHEET 1	-	-	-		

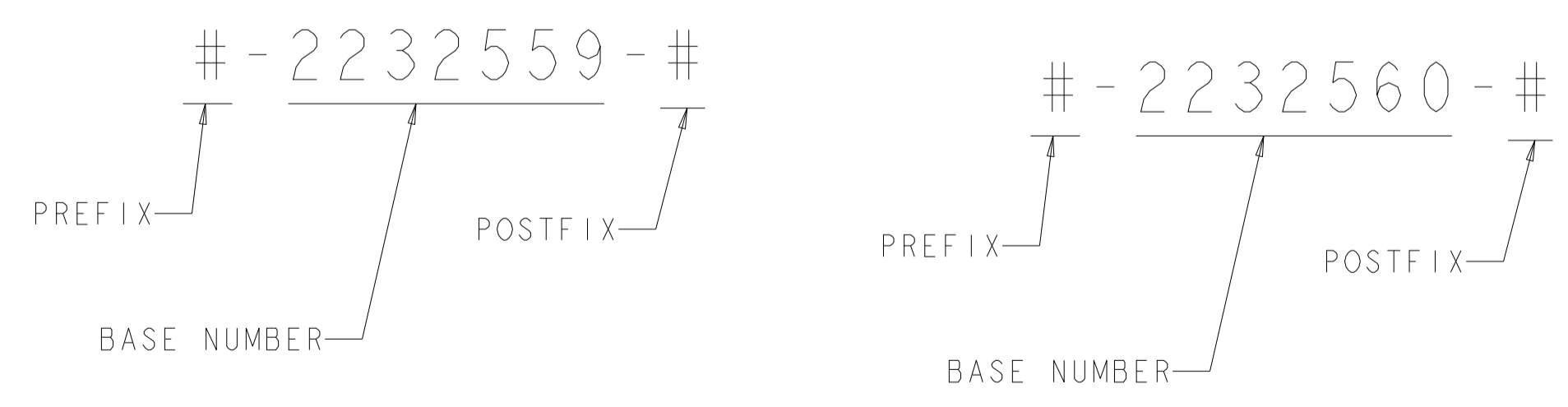
NOTES:
 1. FOR TAB HEADER COLOR CHOICE, THERE ARE EIGHT COLORS AVAILABLE. BESIDES THE NATURAL COLOR, THERE ARE OTHER SEVEN COLORS. INCLUDE: YELLOW, BLUE, GREY, PURPLE, RED, GREEN, BLACK. THE P/N OF THE COLOR TAB HEADER ARE BASED ON THE NATURAL TAB HEADER, THE PREFIX AND POSTFIX ARE THE SAME.
 2. MORE INFORMATION SEE COMMENTS IN RIGHT COLUMN OF BELOW CHART.

COLOR	PART NUMBER OF THE HOUSING		PART NUMBER OF TAB HEADER				COMMENTS
			WITH TIN PLATED CONTACT		WITH SILVER PLATED CONTACT		
NATURAL	*-1971849-*	*-1971893-*	#-2232532-#	#-2232557-#	#-2232559-#	#-2232560-#	THE DETAILS OF CONFIGURATION SEE SHEET 5&6.
RED	*-1971942-*	*-1971944-*	#-2232562-#	#-2232563-#	#-2232565-#	#-2232566-#	IF THE PREFIX AND POSTFIX NUMBERS OF DIFFERENT COLOR HEADER ARE SAME AS THE ONES OF THE NATURAL TAB HEADER AND THEY ARE IN SAME COLUMN, SO THEY SHOULD HAVE THE SAME CONFIGURATION: SAME KEYING, POLARIZATION AND LATCH WINDOW.
BLUE	*-1971950-*	*-1971952-*	#-2232568-#	#-2232569-#	#-2232571-#	#-2232572-#	
YELLOW	*-2232012-*	*-2232014-*	#-2232574-#	#-2232575-#	#-2232577-#	#-2232578-#	FOR DIFFERENT BASE NUMBER OF SAME COLOR HEADER, ONLY DIFFERENCE IS CONFIGURATION (KEYING, POLARIZATION AND LATCH WINDOW).
BLACK	*-2232004-*	*-2232006-*	#-2232580-#	#-2232581-#	#-2232583-#	#-2232584-#	
GREY	*-2232020-*	*-2232022-*	#-2232586-#	#-2232587-#	#-2232589-#	#-2232590-#	THE RELATED HOUSING PART NUMBERS OF DIFFERENT COLOR TAB HEADER ARE ALSO BASED ON NATURAL HOUSING, ONLY THE BASE NUMBER IS DIFFERENT, THE DETAILS SEE BOM IN SHEET 2,3&4.
GREEN	*-1971958-*	*-1971960-*	#-2232592-#	#-2232593-#	#-2232595-#	#-2232596-#	
PURPLE	*-2232028-*	*-2232030-*	#-2232598-#	#-2232599-#	#-2232601-#	#-2232602-#	THE "*" AND "#" CAN BE THE NUMBER FROM 0 TO 9.
WHITE	*-2232293-*	*-2232295-*	#-2232604-#	#-2232605-#	#-2232607-#	#-2232608-#	

**PART NUMBERS OF NATURAL COLOR TAB HEADER WITH TIN PLATED:



**PART NUMBERS OF NATURAL COLOR TAB HEADER WITH SILVER PLATED:



THIS DRAWING IS A CONTROLLED DOCUMENT.		DMN: DANIEL ZHANG 02AUG2013	TE Connectivity
DIMENSIONS: mm		CHK: DANIEL ZHANG 02AUG2013	
TOLERANCES UNLESS OTHERWISE SPECIFIED: 0 PLC ± 1 PLC ± 2 PLC ± 3 PLC ± 4 PLC ± ANGLES ± FINISH ±		APVD: YUHONG MAO 02AUG2013	NAME: ASSEMBLY, POSITIVE LOCK RAST 5, HEADER VERTICAL
MATERIAL: -		WEIGHT: -	RESTRICTED TO: -
Customer Drawing		SIZE: A1	SCALE: 8:1
		CAGE CODE: 100779	DRAWING NO: C=2232532
		SHEET: 4	OF: 4
		REV: B1	

单击下面可查看定价，库存，交付和生命周期等信息

[>>TE Connectivity\(泰科\)](#)