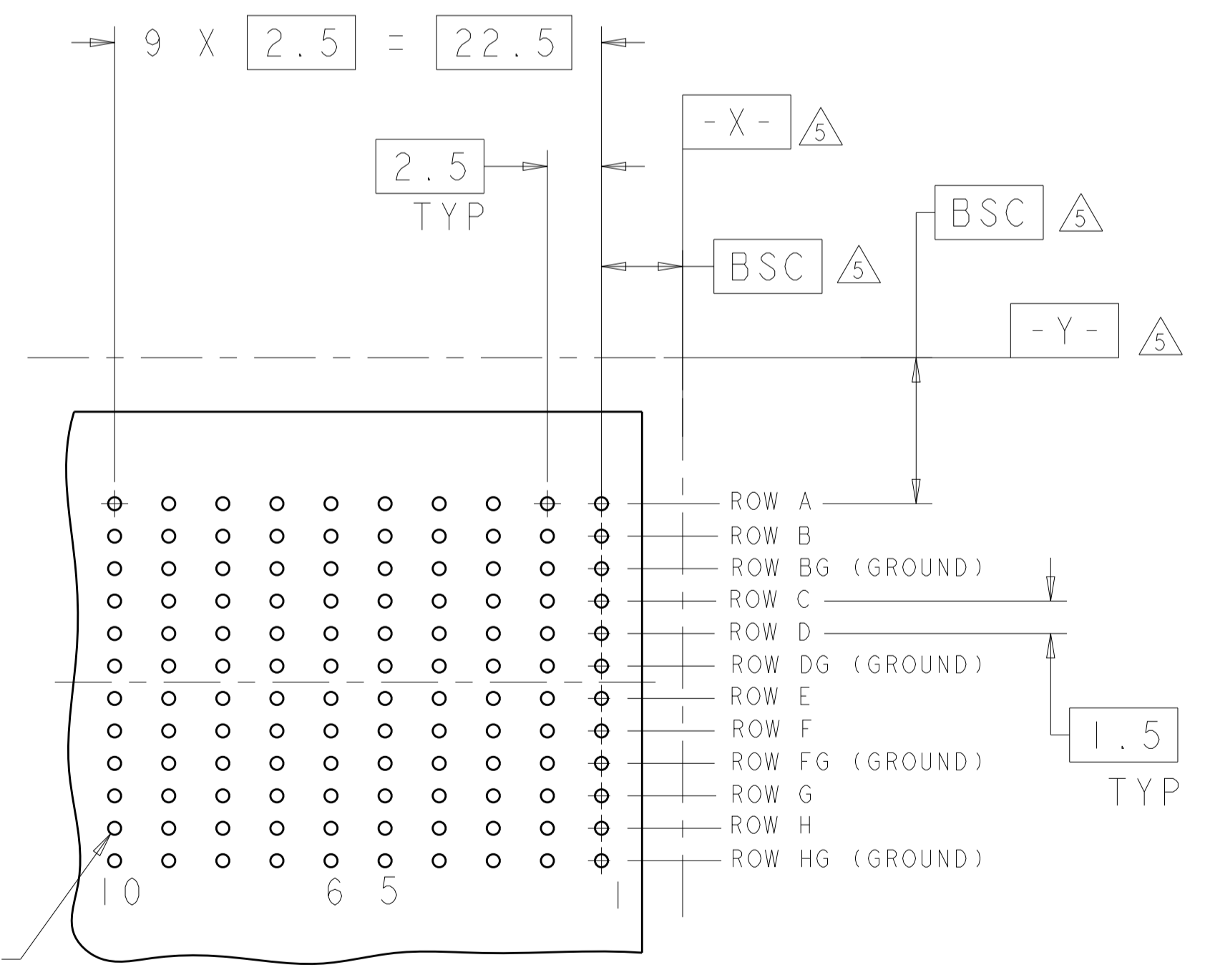
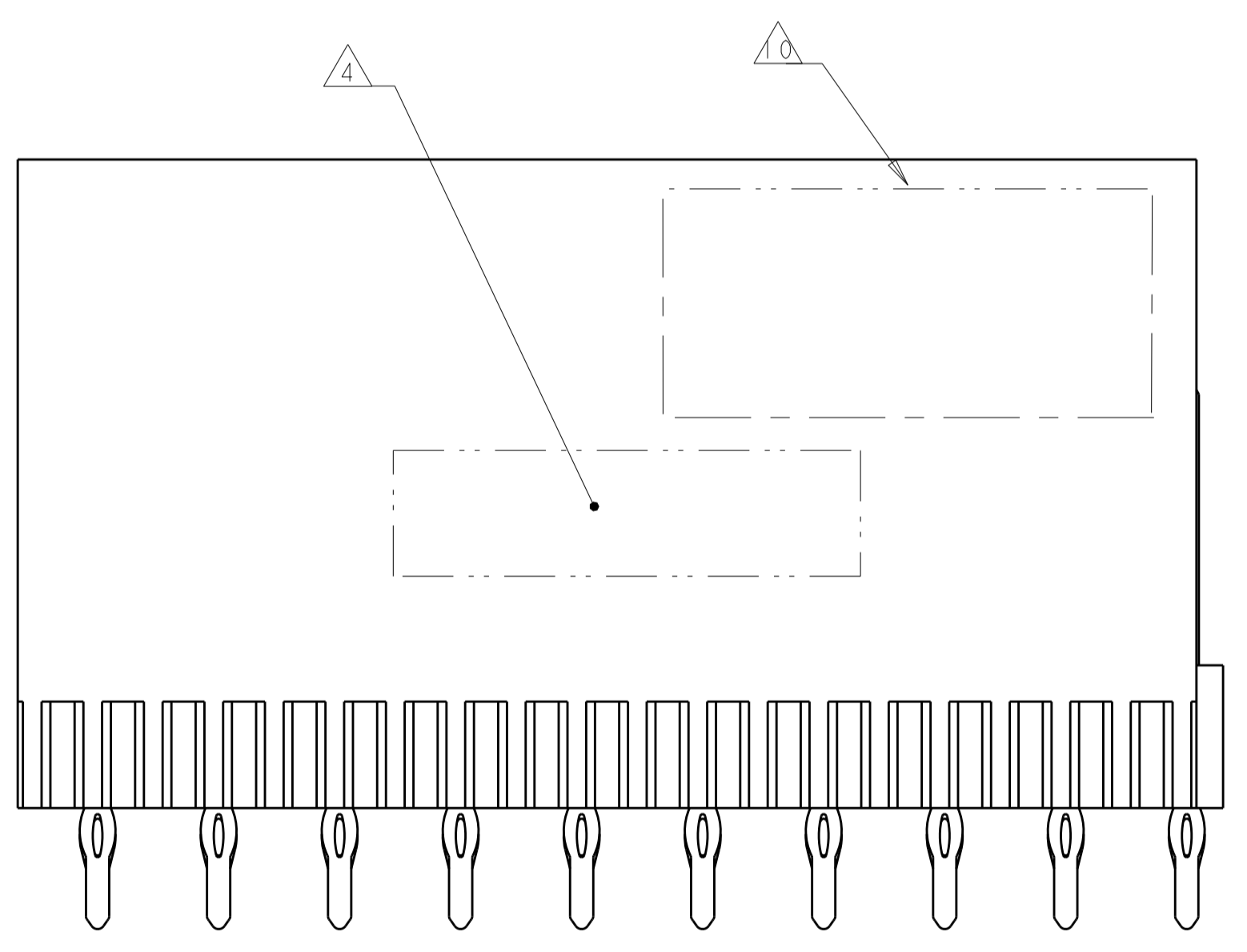
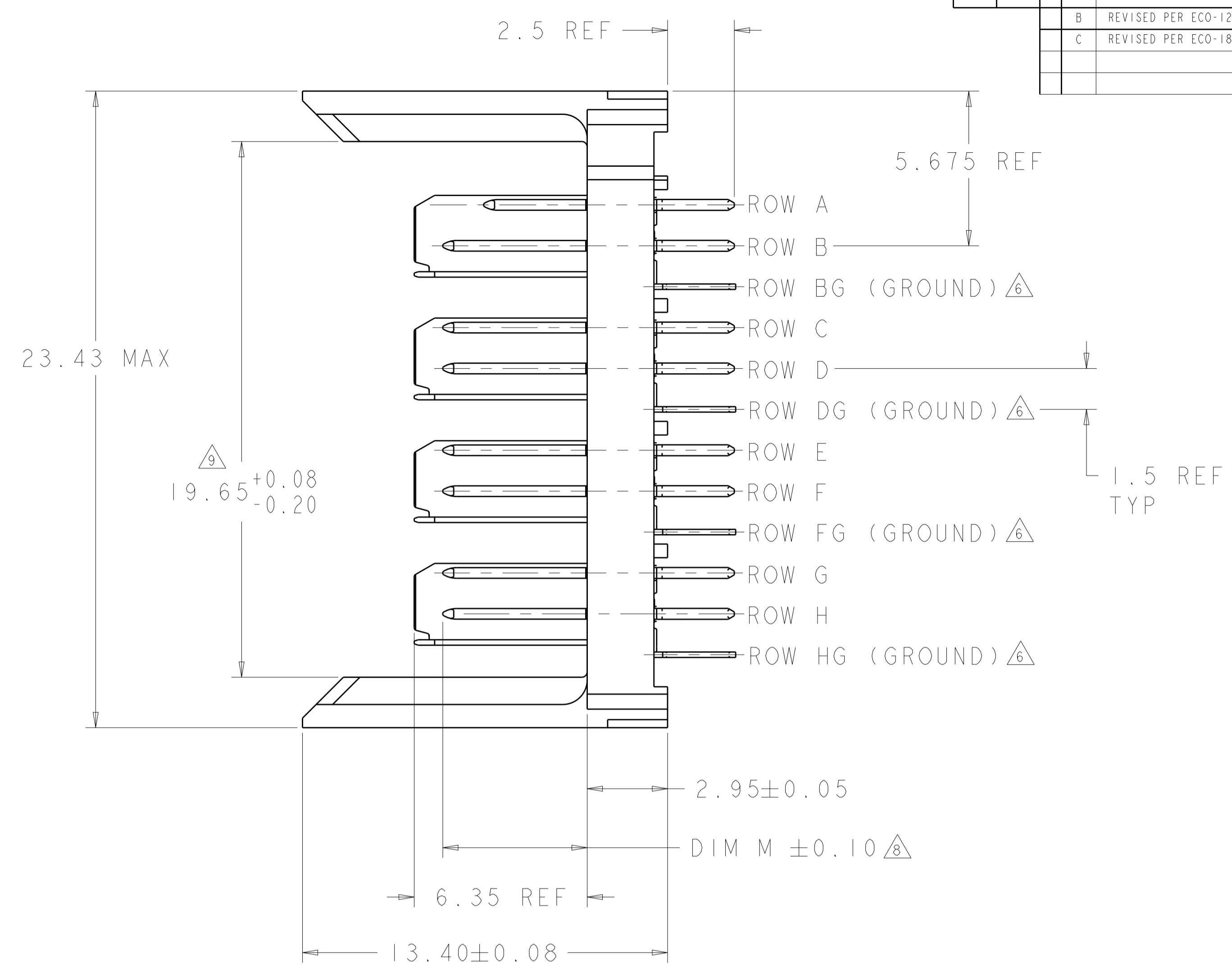
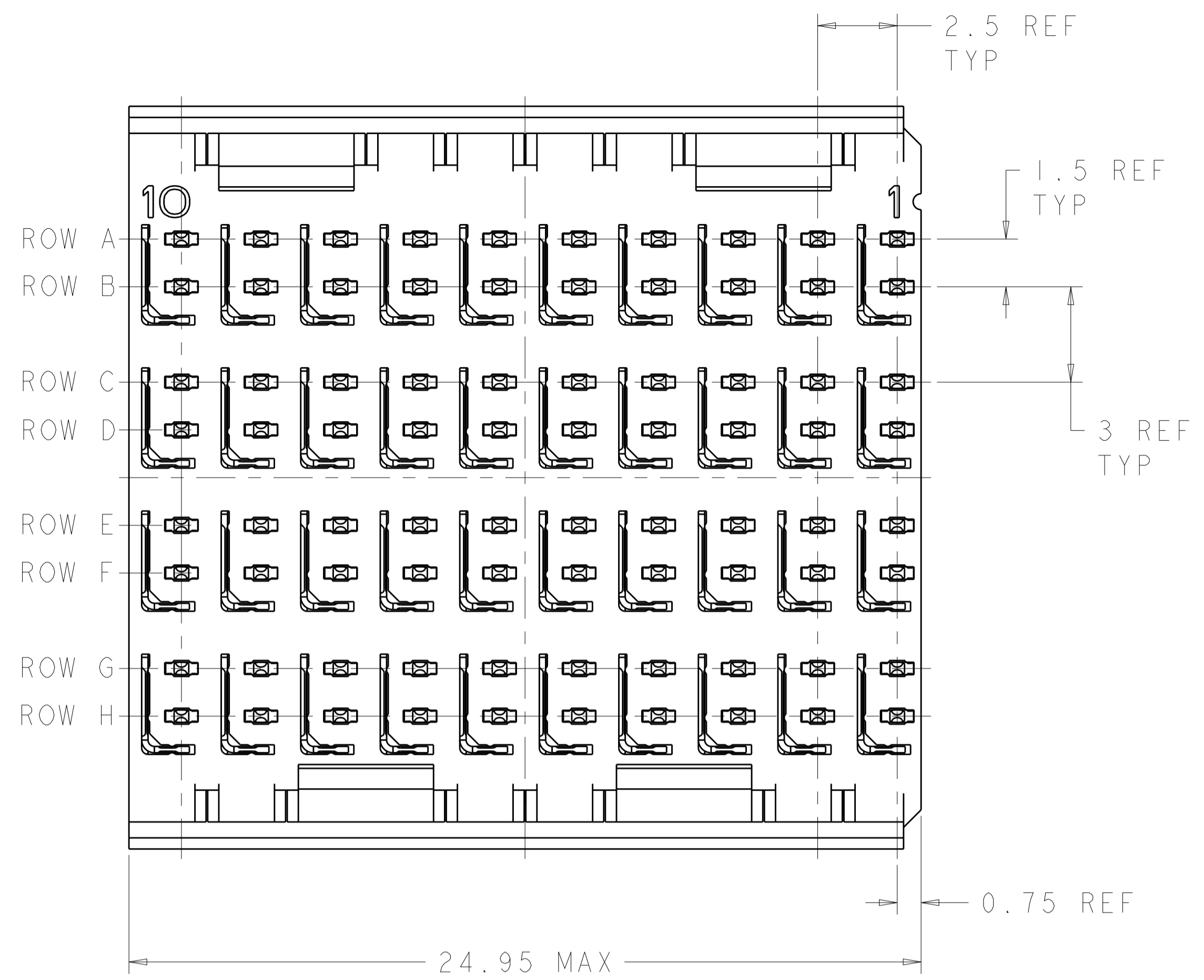


LOC		DIST		REVISIONS				
P	LTN	DESCRIPTION	DATE	DMN	APVD			
B		REVISED PER ECO-12-000118	17JAN12	KH	DY			
C		REVISED PER ECO-18-018129	26SEP2019	AP	DS			



⊕ Ø0.05 X Y  
 ALL PLATED THRU HOLES

RECOMMENDED PC BOARD LAYOUT, BACKPLANE, COMPONENT SIDE SHOWN SCALE 4:1

- △ REFERENCE APPLICATION SPEC 114-13059 FOR RECOMMENDED PLATED THRU HOLE DIAMETER AND PLATING THICKNESSES.
- △ MATERIAL:  
 CONTACT AND SHIELD - PHOSPHOR BRONZE  
 HOUSING - GLASS FILLED POLYESTER, UL 94V-0.
- △ FINISH: SIGNAL AND GROUND CONTACTS:  
 MATING AREA: MEETS THE PERFORMANCE REQUIREMENTS OF PRODUCT SPECIFICATION 108-2055; BASED ON TELCORDIA GR-1217-CORE, APPLICATIONS IN UNCONTROLLED ENVIRONMENTS  
 COMPLIANT PIN AREA: 0.5 μm MIN MATTE TIN OVER BASE PLATING
- △ CONNECTOR MARKED WITH PART NUMBER AND DATE CODE.
- △ DATUMS AND BASIC DIMENSIONS ESTABLISHED BY CUSTOMER.
- △ THE FOUR GROUNDS IN EACH COLUMN ARE COMMONED.
- 7. CONTACT AREA LUBRICATED WITH BELLCORE APPROVED LUBRICANT. TECHNICAL REFERENCE: GR-1217-CORE, ISSUE 1, NOVEMBER 1995.
- △ REFER TO "CONTACT LAYOUT" CHART FOR SEQUENCING.
- △ DIMENSION APPLIES TO FIRST AND LAST CIRCUITS.
- △ TE OR TE CONNECTIVITY LOGO IS LOCATED.

**CONTACT LAYOUT**  
 A = 3.80mm (DIM M)  
 B = 5.30mm (DIM M)  
 G = GROUND

		COLUMNS									
		10	9	8	7	6	5	4	3	2	1
ROWS	A	B	B	B	B	B	B	B	B	B	A
	B	B	B	B	B	B	B	B	B	B	B
	BG	G	G	G	G	G	G	G	G	G	G
	C	B	B	B	B	B	B	B	B	B	B
	D	B	B	B	B	B	B	B	B	B	B
	DG	G	G	G	G	G	G	G	G	G	G
	E	B	B	B	B	B	B	B	B	B	B
	F	B	B	B	B	B	B	B	B	B	B
FG	G	G	G	G	G	G	G	G	G	G	
G	B	B	B	B	B	B	B	B	B	B	
H	B	B	B	B	B	B	B	B	B	B	
HG	G	G	G	G	G	G	G	G	G	G	

6469079-1  
 PART NUMBER

THIS DRAWING IS A CONTROLLED DOCUMENT.

DIMENSIONS: mm 	TOLERANCES UNLESS OTHERWISE SPECIFIED: 0 PLC ± 1 PLC ± 2 PLC ± 3 PLC ± 4 PLC ± ANGLES ±	DWN S. J. MAGARO 28JUN2004 CHK R. A. PATTERSON 28JUN2004 APVD B. PATTERSON 16AUG2007 PRODUCT SPEC APPLICATION SPEC WEIGHT CUSTOMER DRAWING	NAME HEADER ASSEMBLY, 4 PAIR, SELECTIVELY LOADED, 2.5mm TAIL, 25mm, HMZd SIZE CAGE CODE DRAWING NO A100779C=6469079 SCALE 8:1 SHEET 1 OF 1 REV C
-----------------------	---	--	--

TE Connectivity

单击下面可查看定价，库存，交付和生命周期等信息

[>>TE Connectivity\(泰科\)](#)