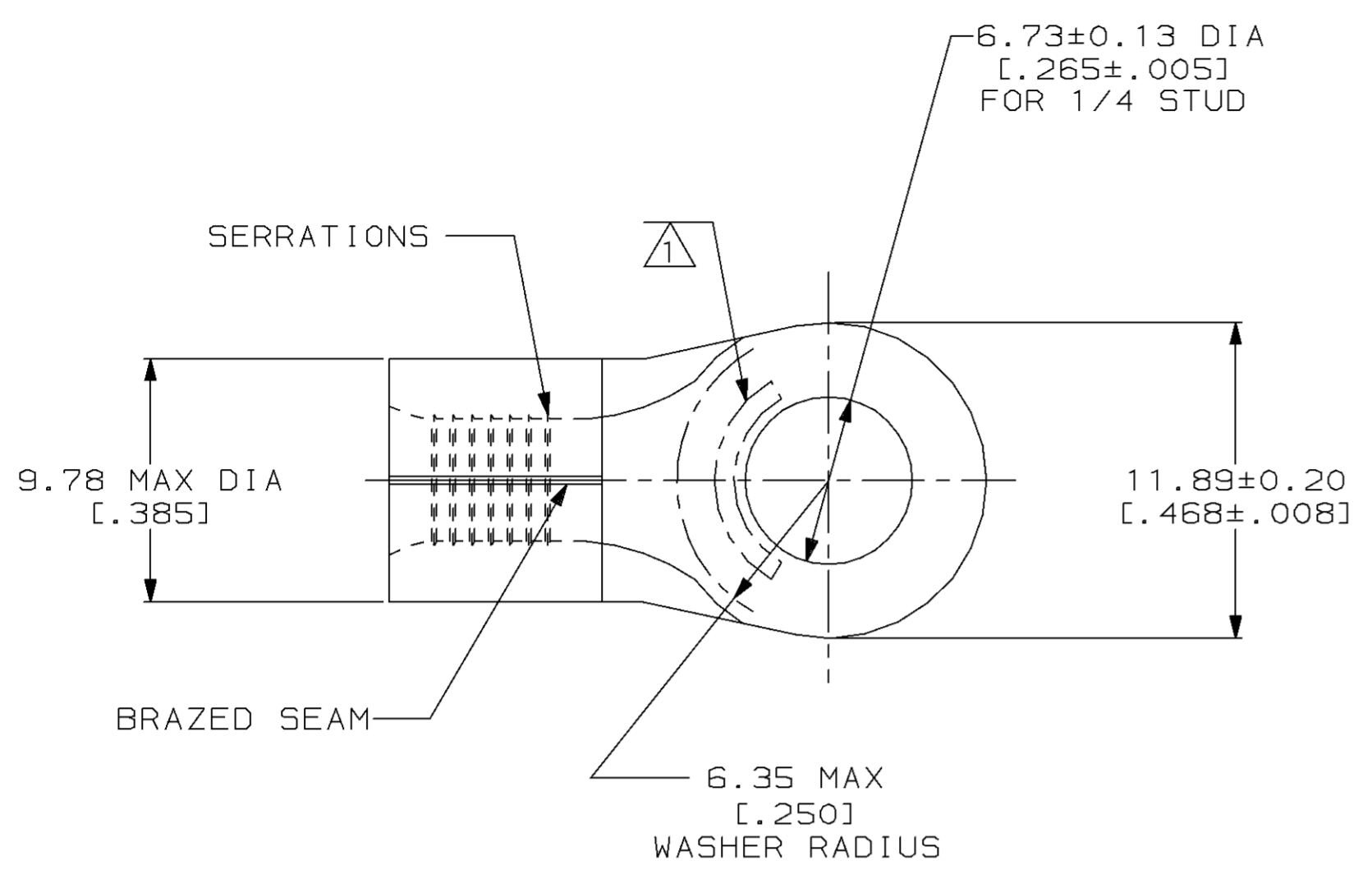


THIS DRAWING IS UNPUBLISHED. RELEASED FOR PUBLICATION, 19 .
 © COPYRIGHT 19 BY AMP INCORPORATED. ALL INTERNATIONAL RIGHTS RESERVED.

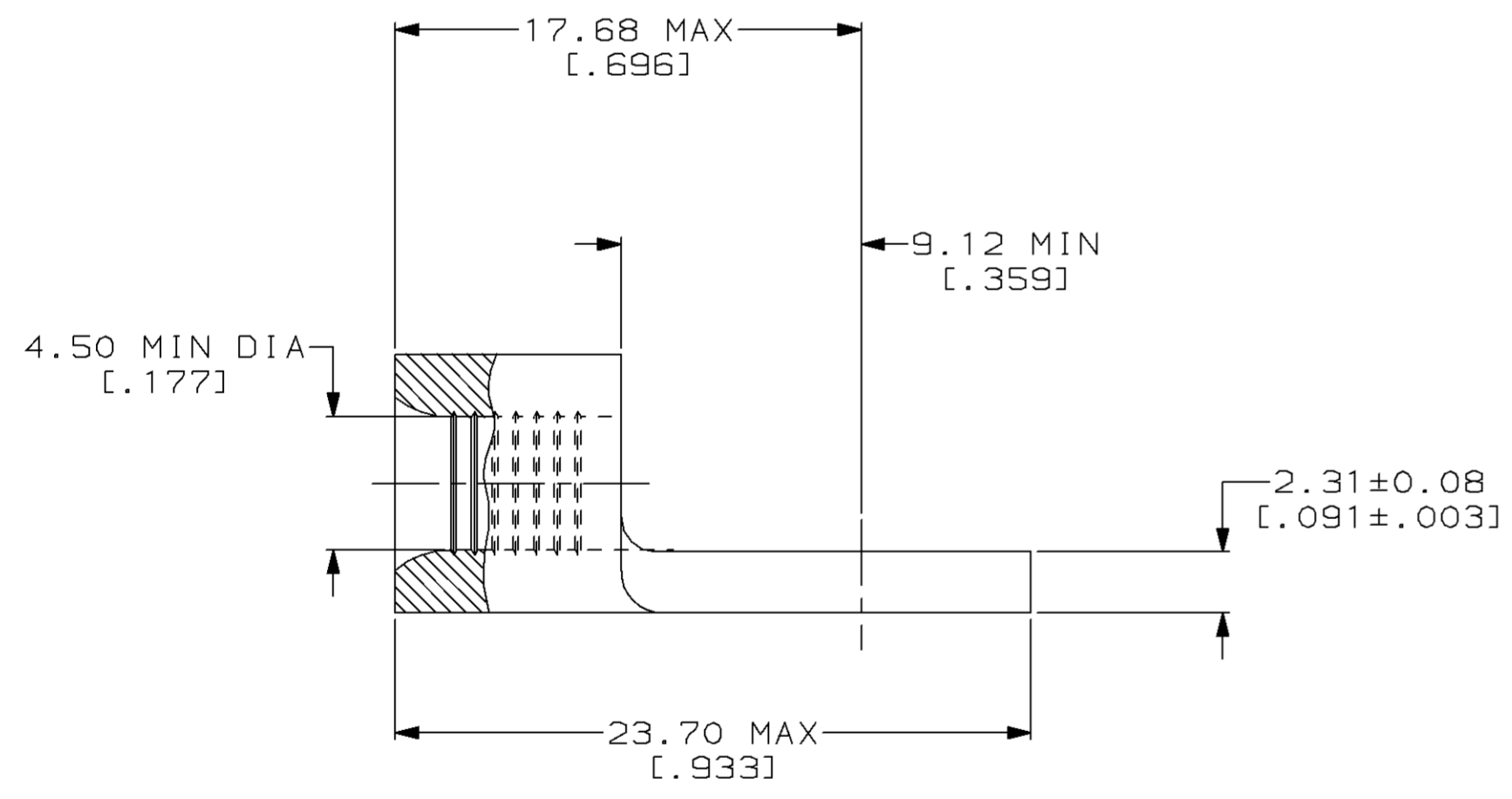
LOC	DIST	P	F	ZONE	LTR	DESCRIPTION	DATE	APPD
G	14				C	REV & REDRAWN PER 0720-0040-93	3-22-93	APP DAP

METRIC
 DIMENSIONS LISTED IN mm [INCHES]



AMP WIRE RANGE	UL Listed
8HD AWG SOLID OR STRANDED	8HD AWG STRANDED
SR LR7189 Certified	MILITARY P/N AND CLASS
8HD AWG SOLID OR STRANDED	NOT APPLICABLE

1 STAMP AMP 8HDW* APPROX AS SHOWN



332042

PART NO

AMP INCORPORATED
 CUSTOMER SERVICE SYSTEMS

MAX RECOMMENDED OPERATING TEMPERATURE:
 170°C MAX

DO NOT SCALE PRINT.
 UNLESS SPECIFIED
 DIMENSIONS IN mm [INCHES]
 TOLERANCES ON:
 2 PLC DEC ± -
 3 PLC DEC ± -
 ANGLES ± -

DR 3-22-93
 TA BRINKMAN
 CHK 3-22-93
 DA PATTERSON
 APPD 3-22-93
 DE MILLER
 APPD 3-22-93
 JL MECKLEY

AMP AMP Incorporated
 Harrisburg, PA 17105-3608

FOR ADDITIONAL
 PRODUCT INFORMATION OR
 COPIES OF DRAWINGS
 AND TECHNICAL DOCUMENTS

PRODUCT INFORMATION CENTER
 1-800-522-6752

VOLTAGE RATING:
 NOT APPLICABLE

MATERIAL
 COPPER PER
 ASTM B-152
 ANNEALED

PRODUCT SPEC
 -

NAME
 TERMINAL, RING TONGUE,
 HEAVY DUTY, SOLISTRAND™

FOR APPLICATION
 TOOLING INFORMATION

TOOLING ASSISTANCE CENTER
 1-800-722-1111

WIRE CROSS SECTIONAL AREA RANGE:
 6.64-10.5MM² [13,100-20,800] CIR MILS
 SOLID OR STRANDED

FINISH
 TIN PLATE
 0.00254 [0.00100] MIN
 THK PER MIL-T-10727

APPLICATION SPEC
 -

SIZE
 CAGE CODE
 00779

DRAWING NO
 C=332042

FOR ORDER ENTRY
 1-800-526-5142

THIS DRAWING IS A CONTROLLED DOCUMENT FOR
 AMP INCORPORATED. IT IS SUBJECT TO CHANGE
 AND THE CONTROLLING ENGINEERING ORGANIZATION
 SHOULD BE CONTACTED FOR THE LATEST REVISION.

WEIGHT
 -

SCALE
 4:1

SHEET
 1 OF 1

单击下面可查看定价，库存，交付和生命周期等信息

[>>TE Connectivity\(泰科\)](#)