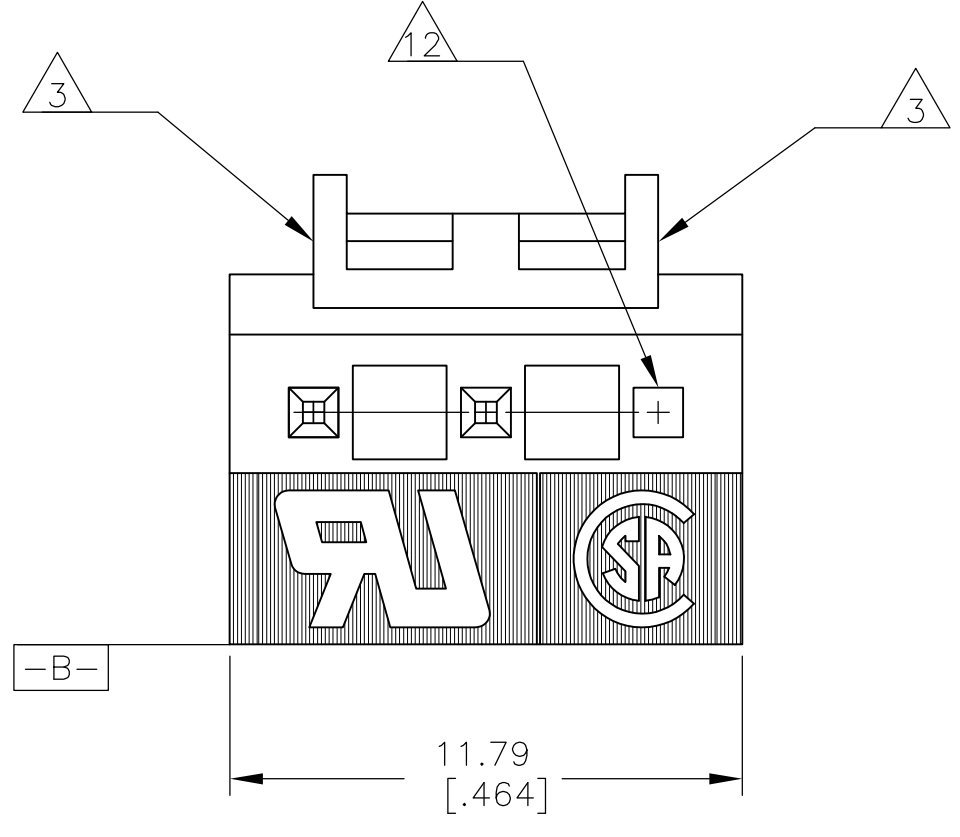
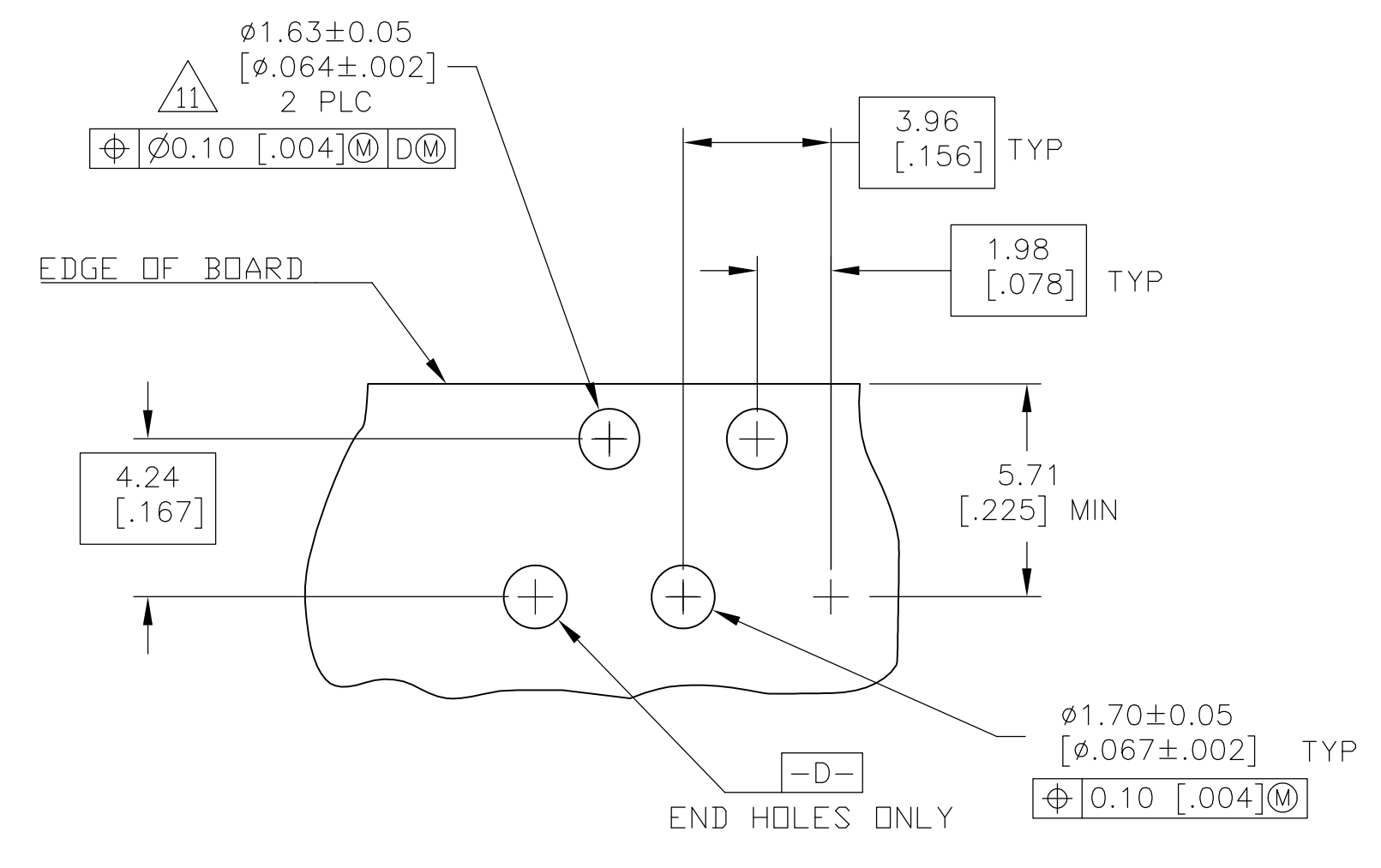
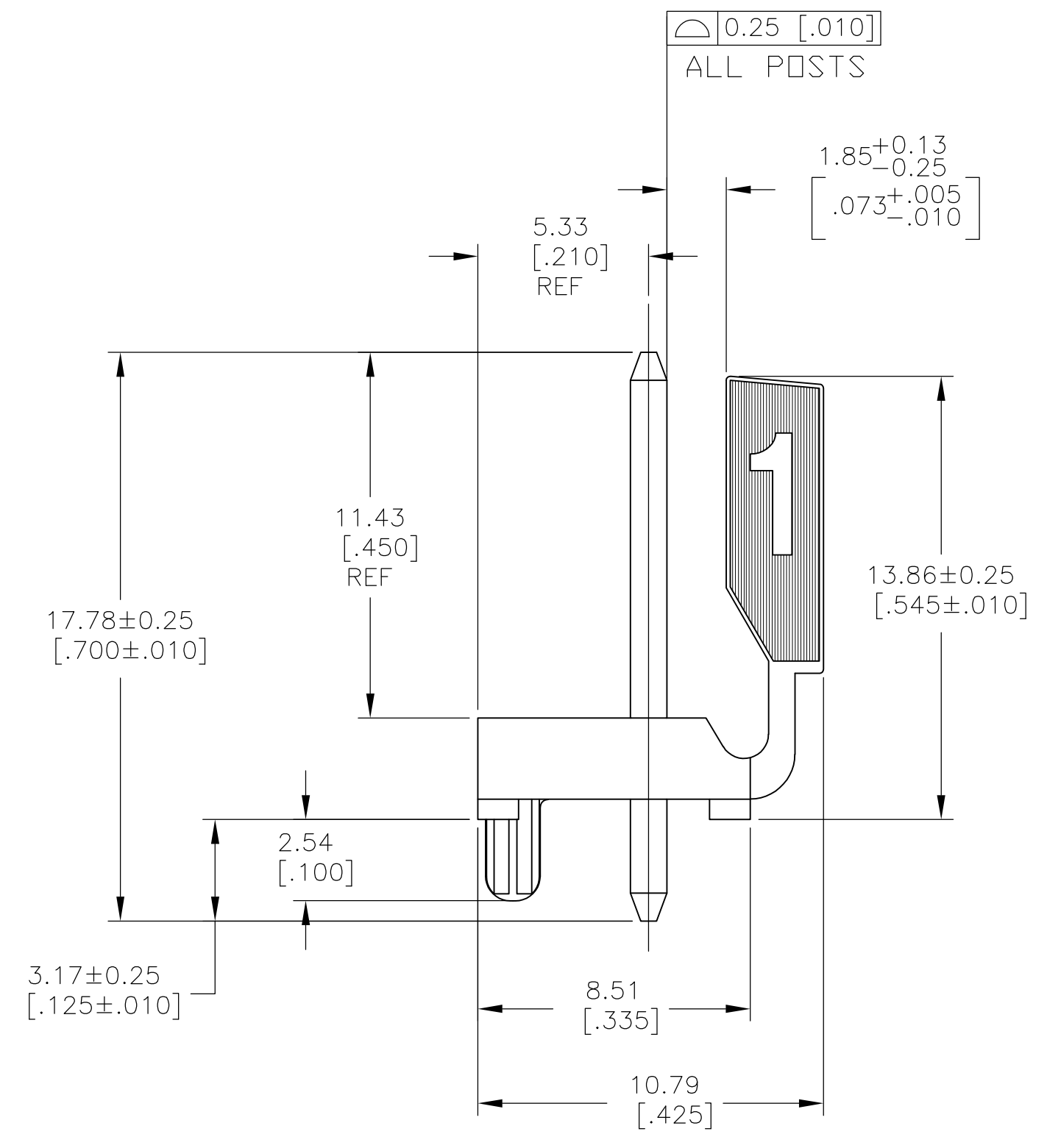
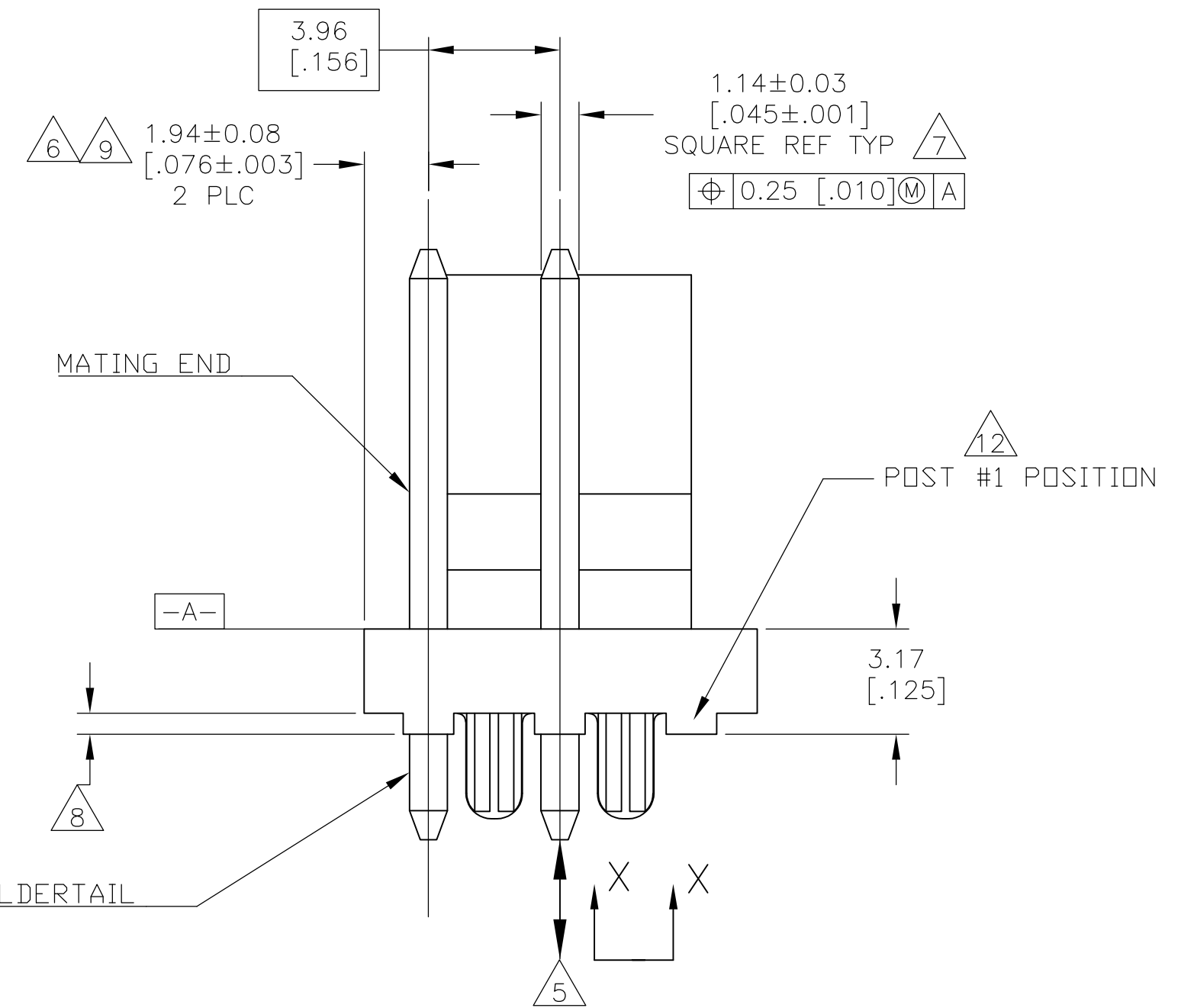


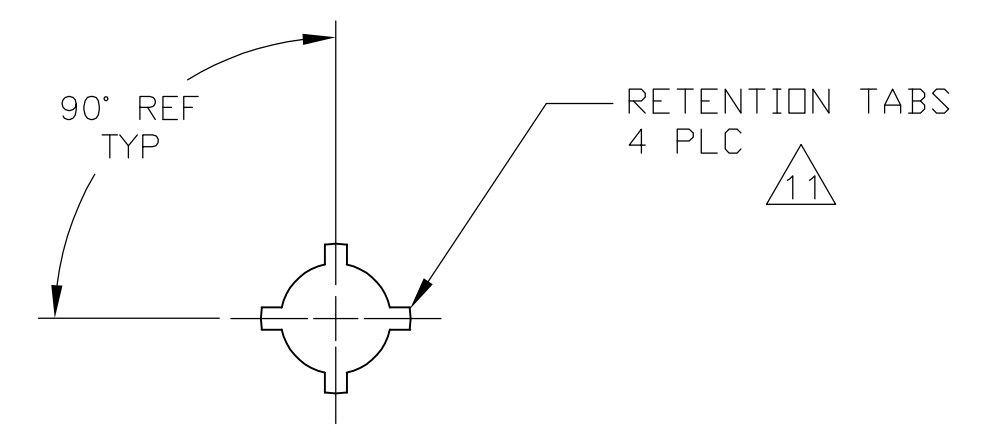
LOC	DIST	REVISONS					
AF	58	P	LTR	DESCRIPTION	DATE	OWN	APVD
		A		REVISED PER ECO-11-011463	03JUN11	HMR	SM



- 1 MATERIAL  
HOUSING: THERMOPLASTIC POLYESTER, GLASS FILLED, UL94V-0.  
POST: COPPER ALLOY
- 2 FINISH  
HOUSING: NATURAL  
POST: MATTE TIN PLATE, .000150" MIN THICK OVER NICKEL.
- 3 EDGE OF POLARIZING LOCK WALL TO BE IN LINE WITH CENTERLINE OF ADJACENT POST WITHIN ±0.13 [.005].
- 4 POST SOLDERTAILS COMPLY WITH AMP SOLDERABILITY SPEC 109-11-2.
- 5 POST WITHSTANDS 13.34N (3 LB) MIN AXIAL FORCE IN EITHER DIRECTION WITHOUT DISLODGING.
- 6 APPLIES AT -A-
- 7 APPLIES WHEN THE HEADER IS STRAIGHT.
- 8 PLASTIC PROJECTIONS PERMITTED IN THIS ZONE.
- 9 COORDINATE DIMENSIONS APPLIES FROM THE CENTER OF THE ACTUAL FEATURE.
- 10 SOLDER SIDE OF BOARD IS SHOWN.
- 11 THE RETENTION TABS PROVIDE A ONE-TIME INTERFERENCE FIT IN THE 1.63 [.064] DIAMETER BOARD HOLE FOR HEADER ASSEMBLY RETENTION DURING SOLDERING. FOUR TABS PER PEG, TWO PEGS PER HEADER ASSEMBLY.
- 12 POST POSITION NUMBER 1 OMITTED.



RECOMMENDED MOUNTING HOLE PATTERN FOR 1.57 [.062] THICK P.C. BOARD



VIEW X-X  
SCALE 10:1

MATTE TIN	NONE	3	3-1969426-3																																								
PLATING	BACKWALL INTERRUPTIONS BETWEEN POST	NO OF POSITIONS	PART NO																																								
<table border="1"> <tr> <td colspan="2">THIS DRAWING IS A CONTROLLED DOCUMENT.</td> <td colspan="2">  TE Connectivity         </td> </tr> <tr> <td>DIMENSIONS: mm [INCHES]</td> <td>TOLERANCES UNLESS OTHERWISE SPECIFIED:</td> <td>NAME</td> <td>MTA-156 HEADER ASSEMBLY, POLARIZED LOCK, STRAIGHT .045 SQ. POST, TIN-LEAD PLATED</td> </tr> <tr> <td>0 PLC ± -</td> <td>1 PLC ± -</td> <td>PRODUCT SPEC</td> <td></td> </tr> <tr> <td>2 PLC ± -</td> <td>3 PLC ± 0.13 [.005]</td> <td>APPLICATION SPEC</td> <td></td> </tr> <tr> <td>4 PLC ± -</td> <td>ANGLES ± 1</td> <td>WEIGHT</td> <td></td> </tr> <tr> <td>MATERIAL</td> <td>FINISH</td> <td>SIZE</td> <td>CAGE CODE</td> </tr> <tr> <td></td> <td></td> <td>A1</td> <td>00779</td> </tr> <tr> <td colspan="2">CUSTOMER DRAWING</td> <td>SCALE</td> <td>6:1</td> </tr> <tr> <td colspan="2"></td> <td>SHEET</td> <td>1 OF 1</td> </tr> <tr> <td colspan="2"></td> <td>REV</td> <td>A</td> </tr> </table>				THIS DRAWING IS A CONTROLLED DOCUMENT.		TE Connectivity		DIMENSIONS: mm [INCHES]	TOLERANCES UNLESS OTHERWISE SPECIFIED:	NAME	MTA-156 HEADER ASSEMBLY, POLARIZED LOCK, STRAIGHT .045 SQ. POST, TIN-LEAD PLATED	0 PLC ± -	1 PLC ± -	PRODUCT SPEC		2 PLC ± -	3 PLC ± 0.13 [.005]	APPLICATION SPEC		4 PLC ± -	ANGLES ± 1	WEIGHT		MATERIAL	FINISH	SIZE	CAGE CODE			A1	00779	CUSTOMER DRAWING		SCALE	6:1			SHEET	1 OF 1			REV	A
THIS DRAWING IS A CONTROLLED DOCUMENT.		TE Connectivity																																									
DIMENSIONS: mm [INCHES]	TOLERANCES UNLESS OTHERWISE SPECIFIED:	NAME	MTA-156 HEADER ASSEMBLY, POLARIZED LOCK, STRAIGHT .045 SQ. POST, TIN-LEAD PLATED																																								
0 PLC ± -	1 PLC ± -	PRODUCT SPEC																																									
2 PLC ± -	3 PLC ± 0.13 [.005]	APPLICATION SPEC																																									
4 PLC ± -	ANGLES ± 1	WEIGHT																																									
MATERIAL	FINISH	SIZE	CAGE CODE																																								
		A1	00779																																								
CUSTOMER DRAWING		SCALE	6:1																																								
		SHEET	1 OF 1																																								
		REV	A																																								

单击下面可查看定价，库存，交付和生命周期等信息

[>>TE Connectivity\(泰科\)](#)