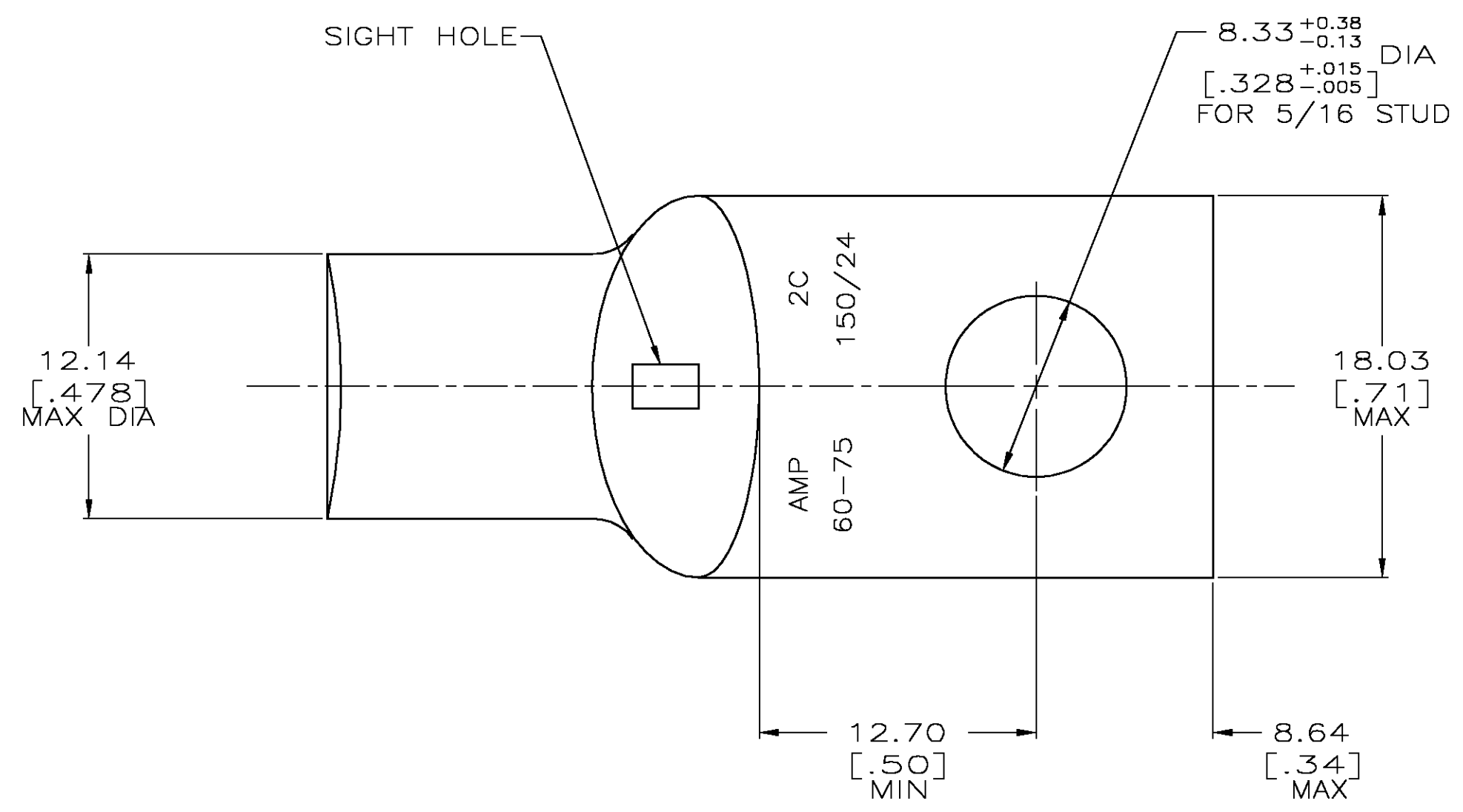
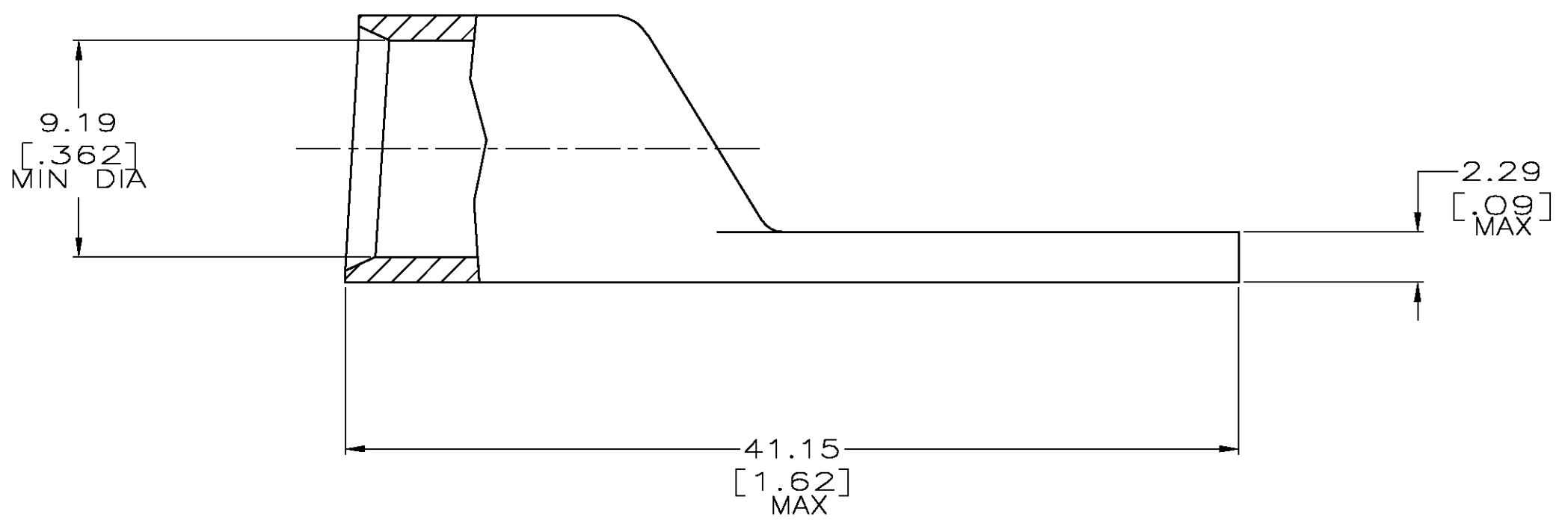


THIS DRAWING IS UNPUBLISHED. RELEASED FOR PUBLICATION
 © COPYRIGHT 19 BY AMP INCORPORATED. ALL INTERNATIONAL RIGHTS RESERVED.

LOC	DIST	P	F	REVISIONS			DATE	APPD
G	86			ZONE	LTR	DESCRIPTION		
					U	REV PER 0G3A-0006-03	07JAN03	JR/MS



1 CIRCULAR MIL AREA RANGE: 52,600-83,700 CM
 2 TIN PL 0.00381[.000150] MIN THK PER MIL-T-10727



METRIC

DO NOT SCALE PRINT. UNLESS SPECIFIED DIMENSIONS IN mm [INCHES] TOLERANCES ON :		DR 02/28/90 DK SCHRUM		325202	
2 PLC DEC ± 0.51[.020]		CHK 18JAN95 MS FEHER		PART NO	
3 PLC DEC ± -		APPD 18JAN95 WJ VOCKROTH		AMP INCORPORATED Harrisburg, Pa. 17105	
ANGLES ± -		APPD 18JAN95 TL SHUTTER		NAME	
MATERIAL		PRODUCT SPEC		TERMINAL, AMPPOWER, WIRE SIZE: 2 AWG	
ANNEALED COPPER ASTM B-75		108-30200		SIZE	
FINISH		APPLICATION SPEC		CAGE CODE	
△		-		00779	
		WEIGHT .025 LB		DRAWING NO	
				325202	
		SCALE 4:1		SHEET 10F 1	

单击下面可查看定价，库存，交付和生命周期等信息

[>>TE Connectivity\(泰科\)](#)