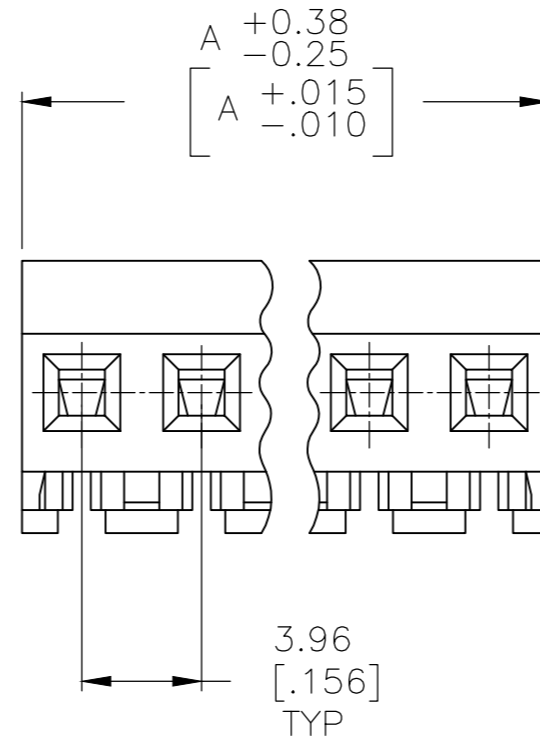
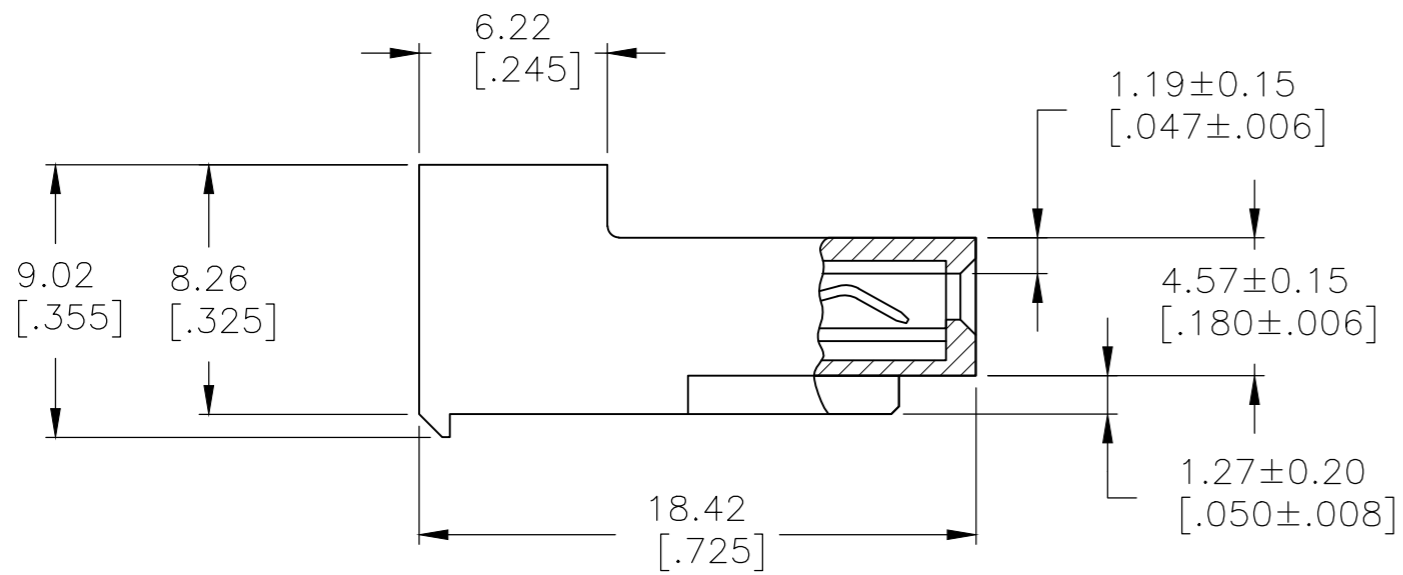
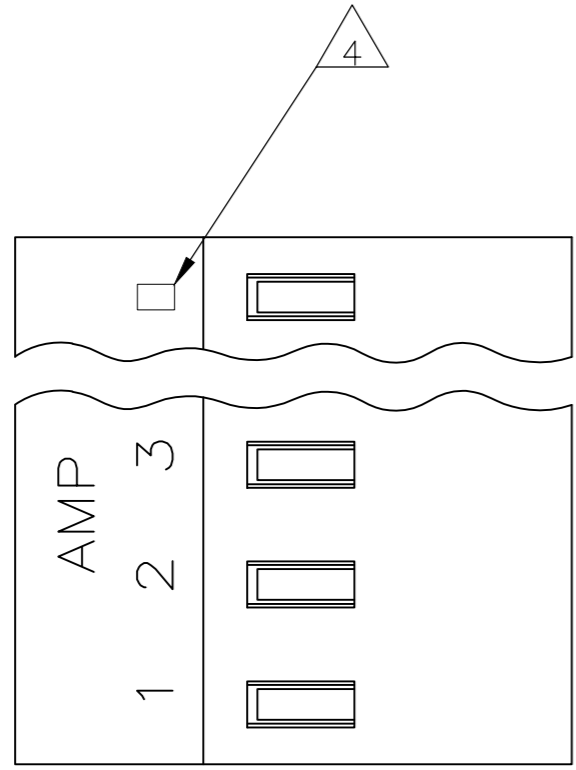


THIS DRAWING IS UNPUBLISHED. RELEASED FOR PUBLICATION
 © COPYRIGHT - By - TE CONNECTIVITY ALL RIGHTS RESERVED.

LOC	DIST	REVISIONS					
		P	LTR	DESCRIPTION	DATE	DWN	APVD
CM	00	Y		REVISED PER ECR-20-000814	26MAY2020	PC	SW



DIM A	NO OF CIRCUITS	PART NO
95.10 [3.744]	24	5-641222-4
91.14 [3.588]	23	5-641222-3
87.17 [3.432]	22	5-641222-2
83.21 [3.276]	21	5-641222-1
79.25 [3.120]	20	5-641222-0
75.29 [2.964]	19	4-641222-9
71.32 [2.808]	18	4-641222-8
67.36 [2.652]	17	4-641222-7
63.40 [2.496]	16	4-641222-6
59.44 [2.340]	15	4-641222-5
55.47 [2.184]	14	4-641222-4
51.51 [2.028]	13	4-641222-3
47.55 [1.872]	12	4-641222-2
43.59 [1.716]	11	4-641222-1
39.62 [1.560]	10	4-641222-0
35.66 [1.404]	9	3-641222-9
31.70 [1.248]	8	3-641222-8
27.74 [1.092]	7	3-641222-7
23.77 [.936]	6	3-641222-6
19.81 [.780]	5	3-641222-5
15.85 [.624]	4	3-641222-4
11.89 [.468]	3	3-641222-3
7.92 [.312]	2	3-641222-2

△	SUPERSEDED BY 5-641222-4	95.10 [3.744]	24	2-641222-4
△	SUPERSEDED BY 5-641222-3	91.14 [3.588]	23	2-641222-3
	OBSOLETE	87.17 [3.432]	22	2-641222-2
△	SUPERSEDED BY 5-641222-1	83.21 [3.276]	21	2-641222-1
△	SUPERSEDED BY 5-641222-0	79.25 [3.120]	20	2-641222-0
△	SUPERSEDED BY 4-641222-9	75.29 [2.964]	19	1-641222-9
△	SUPERSEDED BY 4-641222-8	71.32 [2.808]	18	1-641222-8
△	SUPERSEDED BY 4-641222-7	67.36 [2.652]	17	1-641222-7
△	SUPERSEDED BY 4-641222-6	63.40 [2.496]	16	1-641222-6
	OBSOLETE	59.44 [2.340]	15	1-641222-5
△	SUPERSEDED BY 4-641222-4	55.47 [2.184]	14	1-641222-4
△	SUPERSEDED BY 4-641222-3	51.51 [2.028]	13	1-641222-3
△	SUPERSEDED BY 4-641222-2	47.55 [1.872]	12	1-641222-2
△	SUPERSEDED BY 4-641222-1	43.59 [1.716]	11	1-641222-1
△	SUPERSEDED BY 4-641222-0	39.62 [1.560]	10	1-641222-0
△	SUPERSEDED BY 3-641222-9	35.66 [1.404]	9	641222-9
	OBSOLETE	31.70 [1.248]	8	641222-8
	OBSOLETE	27.74 [1.092]	7	641222-7
△	SUPERSEDED BY 3-641222-6	23.77 [.936]	6	641222-6
△	SUPERSEDED BY 3-641222-5	19.81 [.780]	5	641222-5
△	SUPERSEDED BY 3-641222-4	15.85 [.624]	4	641222-4
△	SUPERSEDED BY 3-641222-3	11.89 [.468]	3	641222-3
△	SUPERSEDED BY 3-641222-2	7.92 [.312]	2	641222-2

1 MATERIAL: CONNECTOR - NYLON UL94V-2 (ORANGE).
 CONTACTS - 0.00076[.000030] GOLD THK OR 0.00008[.000003] MIN THK GOLD FLASH OVER 0.00068[.000027] THK PALLADIUM NICKEL, PER TE CONNECTIVITY'S DISCRETION. IN CONTACT AREA WITH MATTE TIN FOR -2 THRU -28, MATTE WHISKER MITIGATED TIN FOR 3-641222-2 THRU 5-641222-4 OVER NICKEL UNDERPLATE.

2 CONTACTS ACCEPT 18 AWG WIRE WITH 2.41[.095] MAX INSULATION DIAMETER.

3 CONTACTS MUST ACCEPT 1.14±0.03 [.045±.001] SQUARE POST AND REMAIN LOCKED IN POSITION.

4 IDENTIFICATION NUMBER FOR LAST CIRCUIT MAY NOT APPEAR ON ALL ASSEMBLIES.

5 DIMENSIONS IN BRACKETS ARE IN INCHES.

6 HOUSING FEATURES ARE: CLOSED END WITHOUT LOCKING RAMP.

7 OBSOLETE PARTS: OBSOLETE CIS STREAMLINING PER D.RENAUD/D.SINISI

THIS DRAWING IS A CONTROLLED DOCUMENT.		DWN B. LEWIS 12 FEB 91		
DIMENSIONS: mm [INCHES]		CHK R. SWING 12 FEB 91		
TOLERANCES UNLESS OTHERWISE SPECIFIED:		APVD D. CLARK 21 FEB 91	NAME	
0 PLC ± - 1 PLC ± - 2 PLC ± - 3 PLC ± - 4 PLC ± - ANGLES ± -		PRODUCT SPEC 108-1051	MTA-156 CONNECTOR ASSEMBLY, 18 AWG, STANDARD	
MATERIAL 1		FINISH 1	SIZE A2	CAGE CODE 00779
CUSTOMER DRAWING		WEIGHT -	DRAWING NO C=641222	RESTRICTED TO -
		SCALE 4:1	SHEET 1 OF 1	REV Y

单击下面可查看定价，库存，交付和生命周期等信息

[>>TE Connectivity\(泰科\)](#)