

4

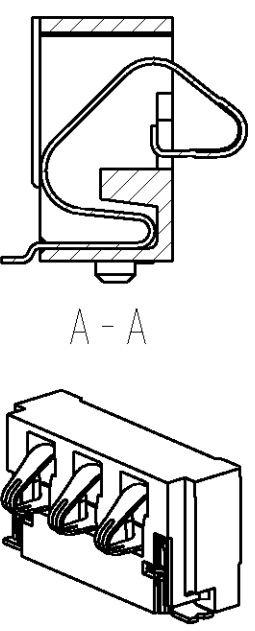
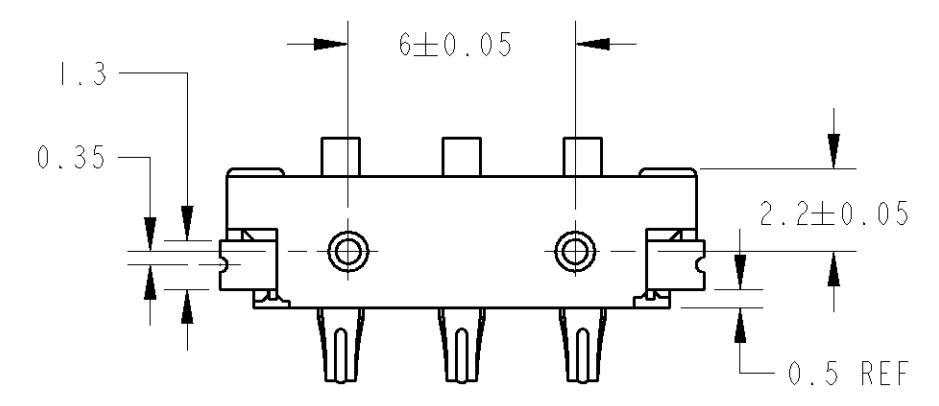
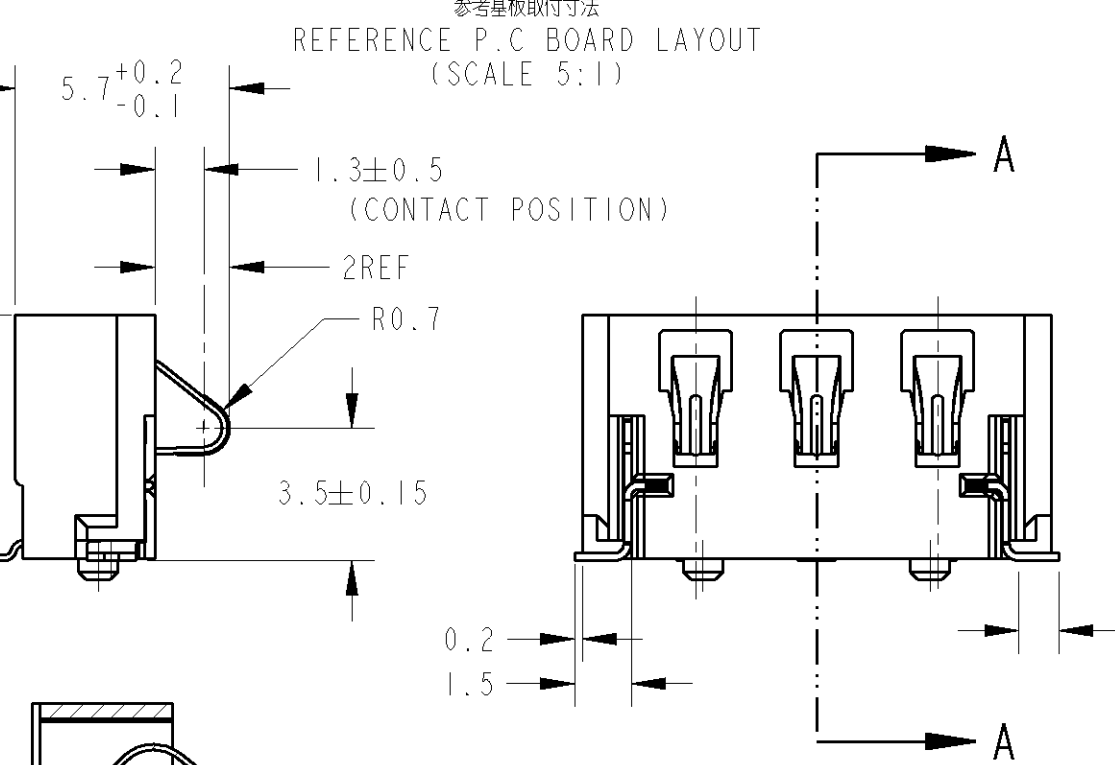
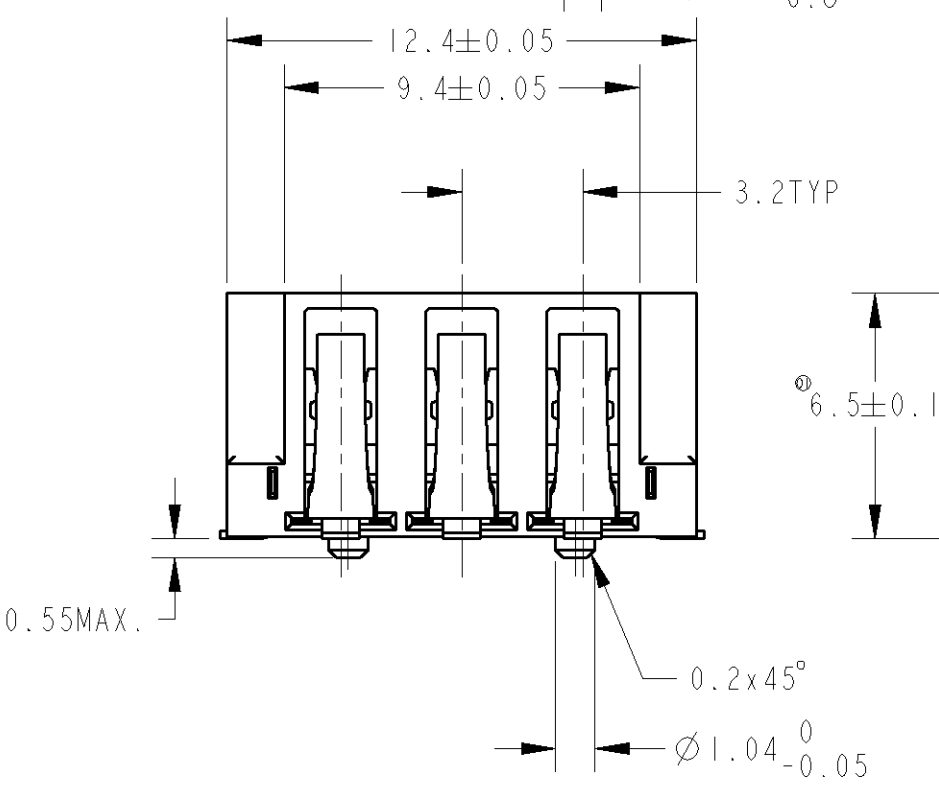
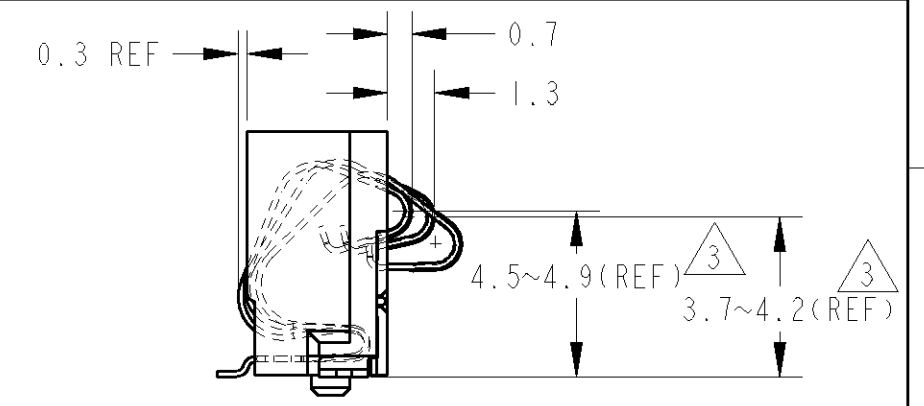
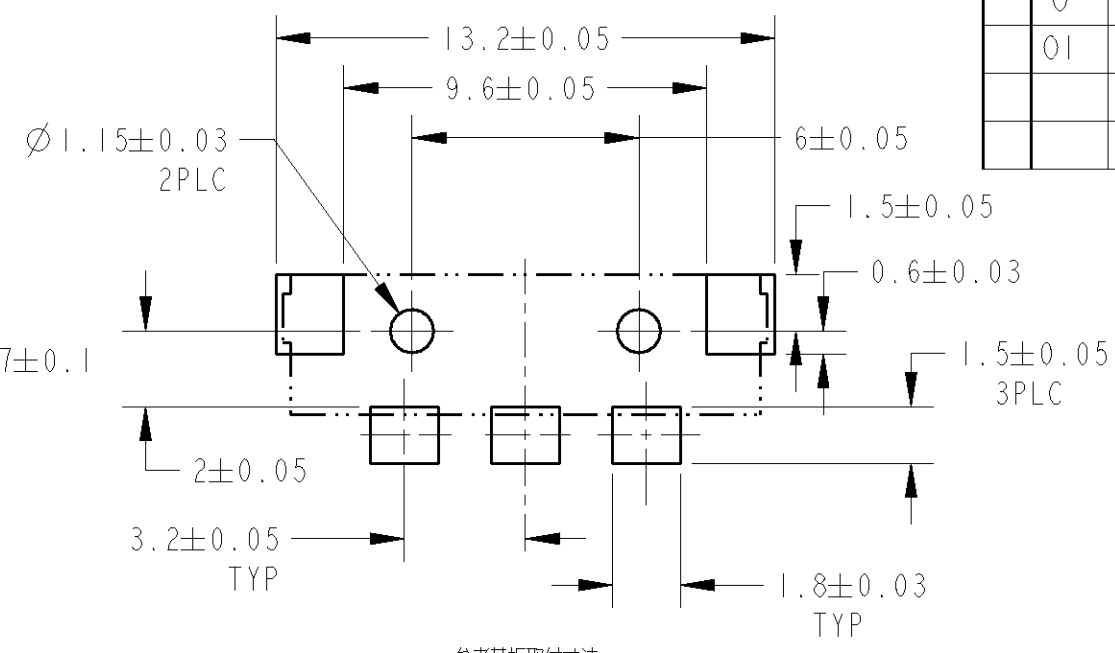
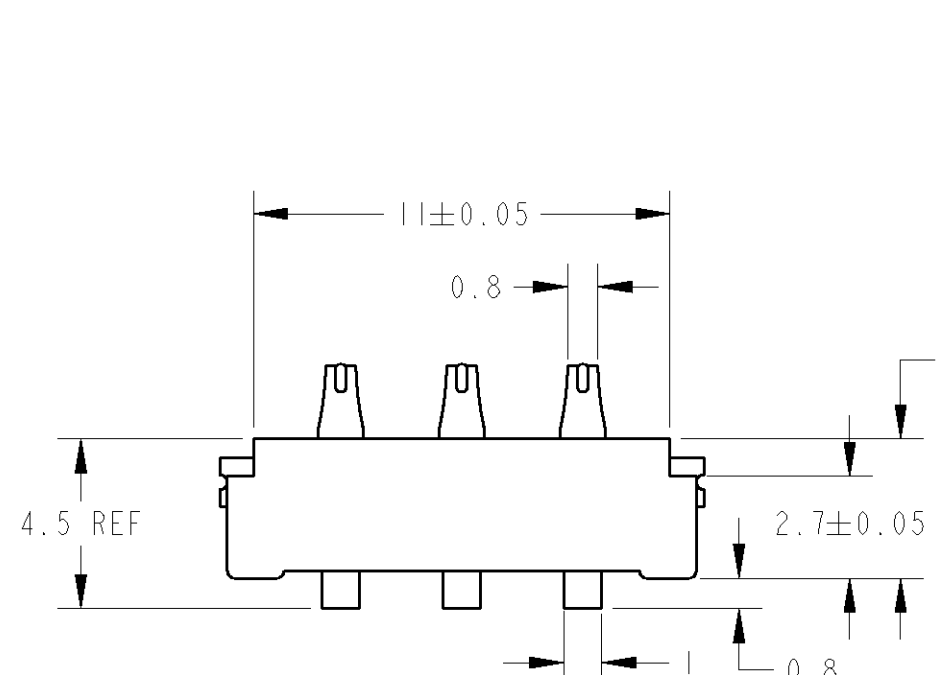
3

2

1

THIS DRAWING IS UNPUBLISHED. RELEASED FOR PUBLICATION
 © COPYRIGHT 20 BY TYCO ELECTRONICS CORPORATION. ALL RIGHTS RESERVED.

LOC	DIST	REVISIONS						
		P	LTR	DESCRIPTION	DATE	DWN	APVD	
J	-	0		RELEASED	FJB0-0294-04	23MAR04	T.K	K.I
		01		REVISED	FJB0-1317-04	24NOV04	T.K	K.I



参考基板取付寸法
 REFERENCE P.C BOARD LAYOUT
 (SCALE 5:1)

ストローク時参考寸法

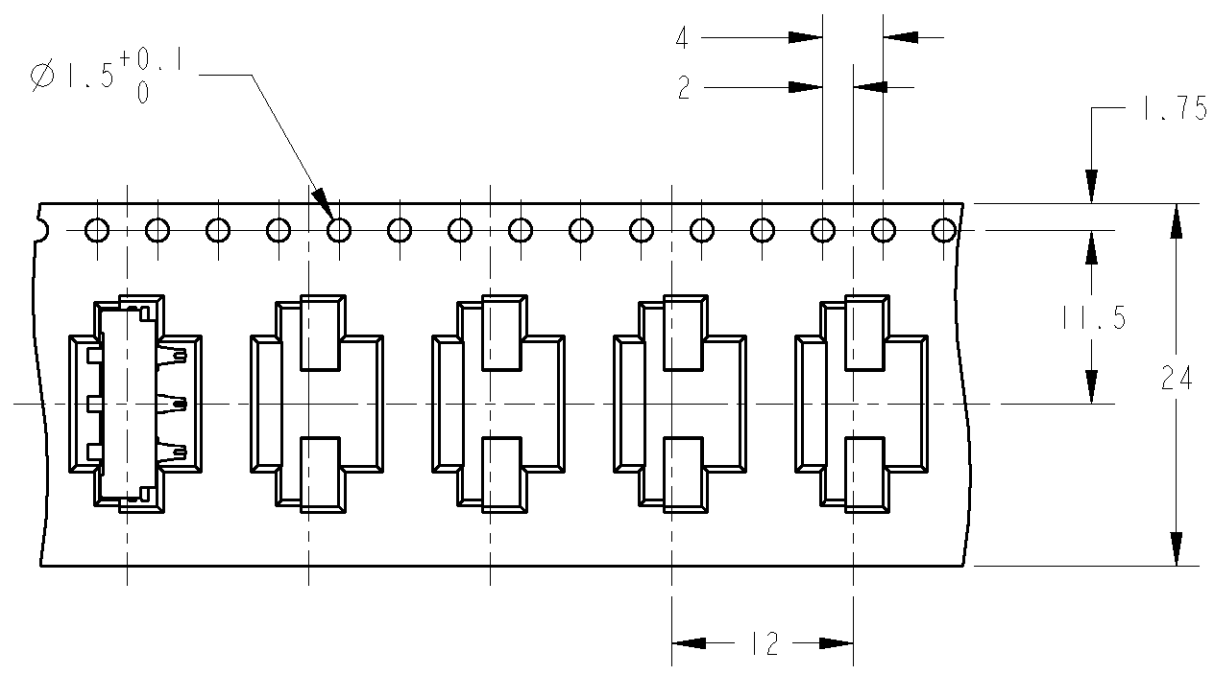
- 1 材料
 コンタクト: 銅合金
 ハウジング: 6Tナイロン, UL94V-0, 黒
 ソルダペース: 銅合金
 - 2 仕上り
 コンタクト: ニッケル下地めっき1.27µm以上
 接点部: 金めっき1µm以上
 半田付け部: 金フラッシュめっき0.05~0.13µm
 ソルダペース: ニッケル下地めっき1µm以上
 露めっき1µm以上
 - 3 ストローク時接点位置(ワイピング量)は相手側パッドとの摩擦係数に依存する。
- 1 MATERIAL
 CONTACT: COPPER ALLOY
 HOUSING: 6T PA, UL94V-0, BLACK
 SOLDER PEG: COPPER ALLOY
- 2 FINISH
 CONTACT: NICKEL ALL OVER UNDER PLATING,
 THK. 1.27µm MIN.
 GOLD PLATING AT CONTACT AREA,
 THK. 1µm MIN.
 GOLD FLASH PLATING AT LEAD AREA,
 THK. 0.05~0.13µm.
 SOLDER PEG: NICKEL ALL OVER UNDER PLATING,
 THK. 1µm MIN.
 TIN PLATING, THK. 1µm MIN.
- 3 DEPEND ON FRICTION COEFFICIENT
 AGAINST PAD OF BATTERY PACK.

1746142-1: AS SHOWN

THIS DRAWING IS A CONTROLLED DOCUMENT FOR TYCO ELECTRONICS CORPORATION IT IS SUBJECT TO CHANGE AND THE CONTROLLING ENGINEERING ORGANIZATION SHOULD BE CONTACTED FOR THE LATEST REVISION.		DWN T. KATANO 23MAR04	 Tyco Electronics AMP K.K. Kawasaki, Japan
DIMENSIONS: 単位: 英 mm		CHK T. KIMURA 23MAR04	
TOLERANCES UNLESS OTHERWISE SPECIFIED: 一般公差 ±0.3		APVD K. IKEGAMI 23MAR04	NAME 名称
0-PLC ±		PRODUCT SPEC 製品規格 108-5956	LEAF BATTERY CONNECTOR 3POS.
1-PLC ±0.1		APPLICATION SPEC 取付適用規格	SIZE
2-PLC ±0.01		WEIGHT 0.4g	CAGE CODE 00779
3-PLC ±0.001		CUSTOMER DRAWING	DRAWING NO 番号 C=1746142
4-PLC ±0.0001			RESTRICTED TO
ANGLES ±3°		SCALE 尺度 5:1	SHEET 1 OF 2
MATERIAL 材料	FINISH 仕上	REV 01	

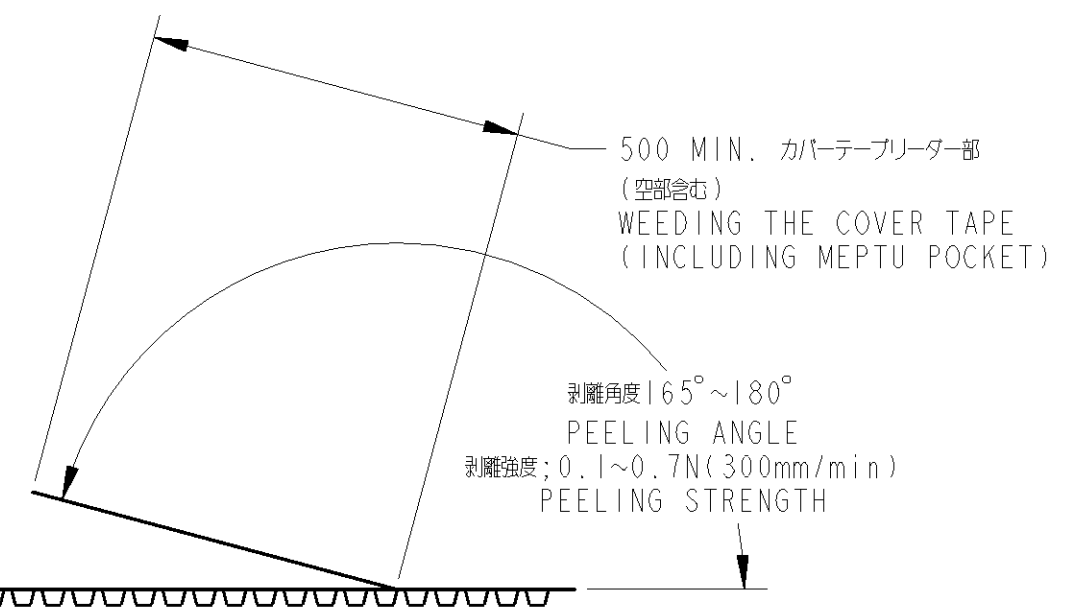
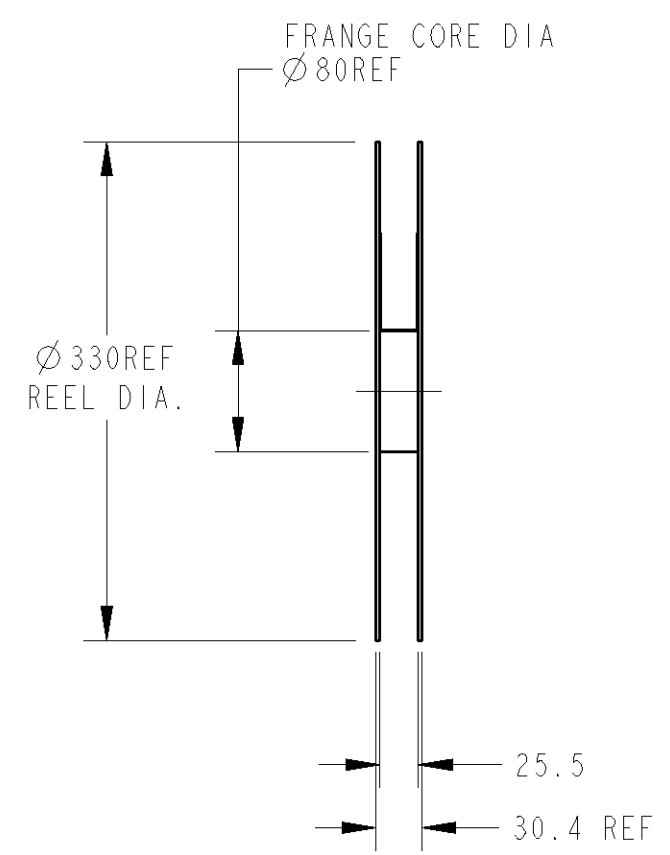
THIS DRAWING IS UNPUBLISHED. RELEASED FOR PUBLICATION 20
 © COPYRIGHT 20 BY TYCO ELECTRONICS CORPORATION. ALL RIGHTS RESERVED.

LOC	DIST	REVISIONS					
		P	LTR	DESCRIPTION	DATE	DWN	APVD
J	-	-	-	SEE SHEET 1	-	-	-



- 1; AS SHOWN
 - 1; 本図

SCALE 2:1



Tyco P/N: 1746142-1
 Qty: 500pcs
 D/C:
 Made in China

ラベル記載内容 / LABEL DESCRIPTION

空部 10穴以上 WITHOUT CHARGE 10HOLES MIN.
 製品装填部 WITH PRODUCT CHARGE 500個/1リール 500EA/1REEL
 空部 15穴以上 WITHOUT CHARGE 15HOLES MIN.

THIS DRAWING IS A CONTROLLED DOCUMENT FOR TYCO ELECTRONICS CORPORATION. IT IS SUBJECT TO CHANGE AND THE CONTROLLING ENGINEERING ORGANIZATION SHOULD BE CONTACTED FOR THE LATEST REVISION.

DIMENSIONS:	TOLERANCES UNLESS OTHERWISE SPECIFIED:
単位: 珪 mm	一般公差 ±0.3
	0-PLC ±
	1-PLC ±0.1
	2-PLC ±0.01
	3-PLC ±0.001
	4-PLC ±0.0001
	ANGLES ±3°

MATERIAL 材料 - FINISH 仕上 -

DWN T. KATANO 23MAR04
 CHK T. KIMURA 23MAR04
 APVD K. IKEGAMI 23MAR04
 PRODUCT SPEC 製品規格 -
 APPLICATION SPEC 取付適用規格 -
 WEIGHT -

tyco Tyco Electronics AMP K.K.
Electronics Kawasaki, Japan
 NAME 名称 LEAF BATTERY CONNECTOR 3POS.
 SIZE A3 CAGE CODE 00779 DRAWING NO. 1746142 RESTRICTED TO -

CUSTOMER DRAWING SCALE 尺度 NON SHEET 2 OF 2 REV 01

单击下面可查看定价，库存，交付和生命周期等信息

[>>TE Connectivity\(泰科\)](#)