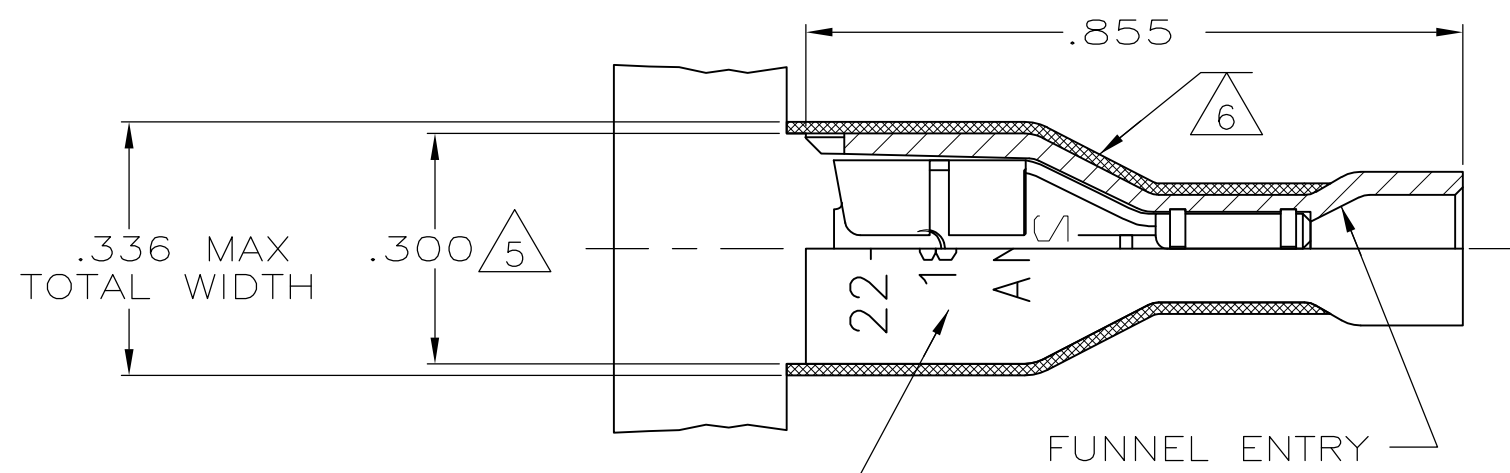
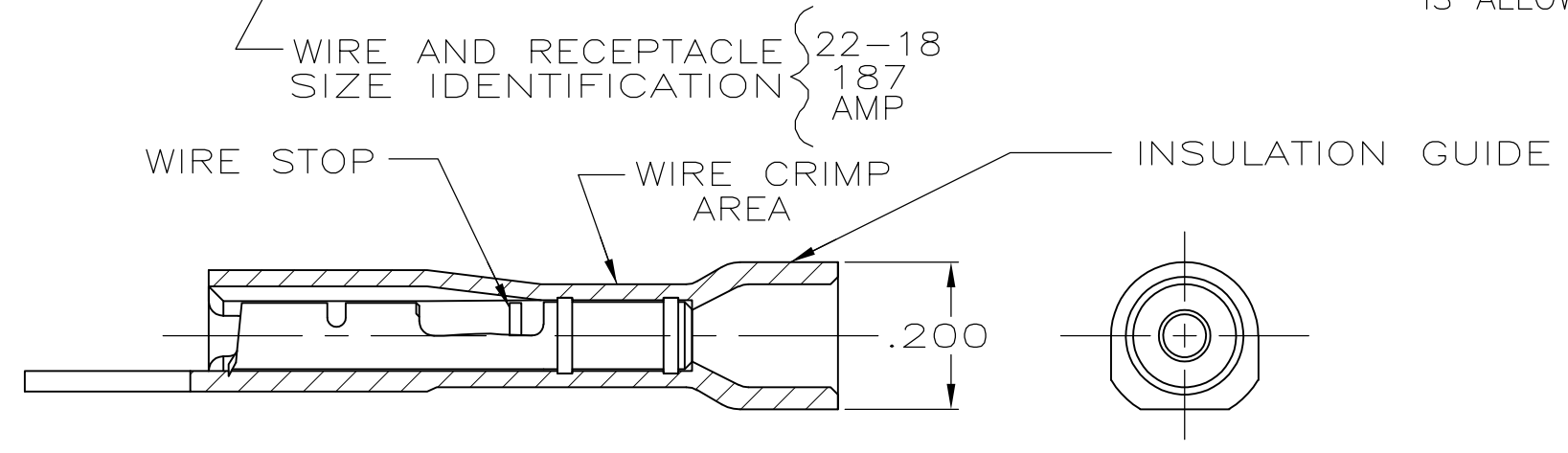
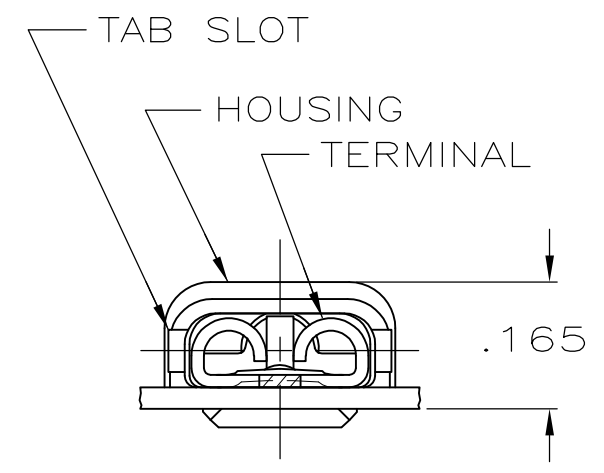


THIS DRAWING IS UNPUBLISHED. RELEASED FOR PUBLICATION
 © COPYRIGHT - By - ALL RIGHTS RESERVED.

LOC	DIST	REVISIONS			
P	LTR	DESCRIPTION	DATE	DWN	APVD
AF	50	W	REVISED PER ECR-13-004343	30JUL13	KH KR



- 1 MATES WITH .020±.001x.187 TAB
- 2 WIRE STRIP LENGTH .281
- 3 INSULATION SIZE .135 MAX DIA
- 4 CONTINUOUS STRIP ON REELS
- △5 DIMENSION DOES NOT INCLUDE TRIM BURR
- △6 .015 MAX CARRIER TRIM BURR PER SIDE IS ALLOWABLE IN THE SHADED AREA



PACKAGING	MATERIAL & FINISH	PART NO
STANDARD	HOUSING:NYLON,COLOR-BLACK TRANSLUCENT RECEPTACLE:BRASS TIN	9-520181-2
BULK	HOUSING:NYLON,COLOR-RED TRANSLUCENT RECEPTACLE:BRASS TIN	5-520181-2
STANDARD	HOUSING:NYLON,COLOR-RED TRANSLUCENT RECEPTACLE:#3 HARD PHOS BRONZE TIN	2-520181-4
	HOUSING:NYLON,COLOR-RED TRANSLUCENT RECEPTACLE:BRASS TIN	2-520181-2

THIS DRAWING IS A CONTROLLED DOCUMENT.		DWN P FORTNEY 10/7/88	STE TE Connectivity	
DIMENSIONS: INCHES		CHK MS FEHER 10/10/88		
TOLERANCES UNLESS OTHERWISE SPECIFIED:		APVD K RANDOLPH 10/10/88	NAME RECEPTACLE ASSY,ULTRA-FAST, .187 SERIES,22-18 AWG	
0 PLC ± -		PRODUCT SPEC 108-2043	SIZE	
1 PLC ± -		APPLICATION SPEC 114-2123	CAGE CODE	DRAWING NO
2 PLC ± -		WEIGHT -	A300779	C-520181
3 PLC ± .015		RESTRICTED TO		
4 PLC ± -		CUSTOMER DRAWING		
ANGLES ± -		SCALE 4:1	SHEET 1 OF 1	REV W
MATERIAL SEE TABLE		FINISH SEE TABLE		

单击下面可查看定价，库存，交付和生命周期等信息

[>>TE Connectivity\(泰科\)](#)